

Installation instructions

Coffee-Center
Type of construction 60-381



J301.113-0

19.5.08 ITH



The appliance should be installed by qualified personnel only. Each step must be carried out and checked in full in the order specified.

Validity

These installation instructions apply to the models: **301**

General notes



If fitting in flammable material, the guidelines and standards for low voltage installations and for the fire protection must be strictly observed.

Identification plate

- ▶ Open operating panel. The identification plate is on the right-hand side next to the coffee bean holder.

Dimensions

External dimensions (H × W × D): 378 × 596 × 326 mm

Electrical connections



Electrical connections must be carried out by trained electricians in accordance with the guidelines and standards for low voltage installations and the specifications of the local electricity supply companies.

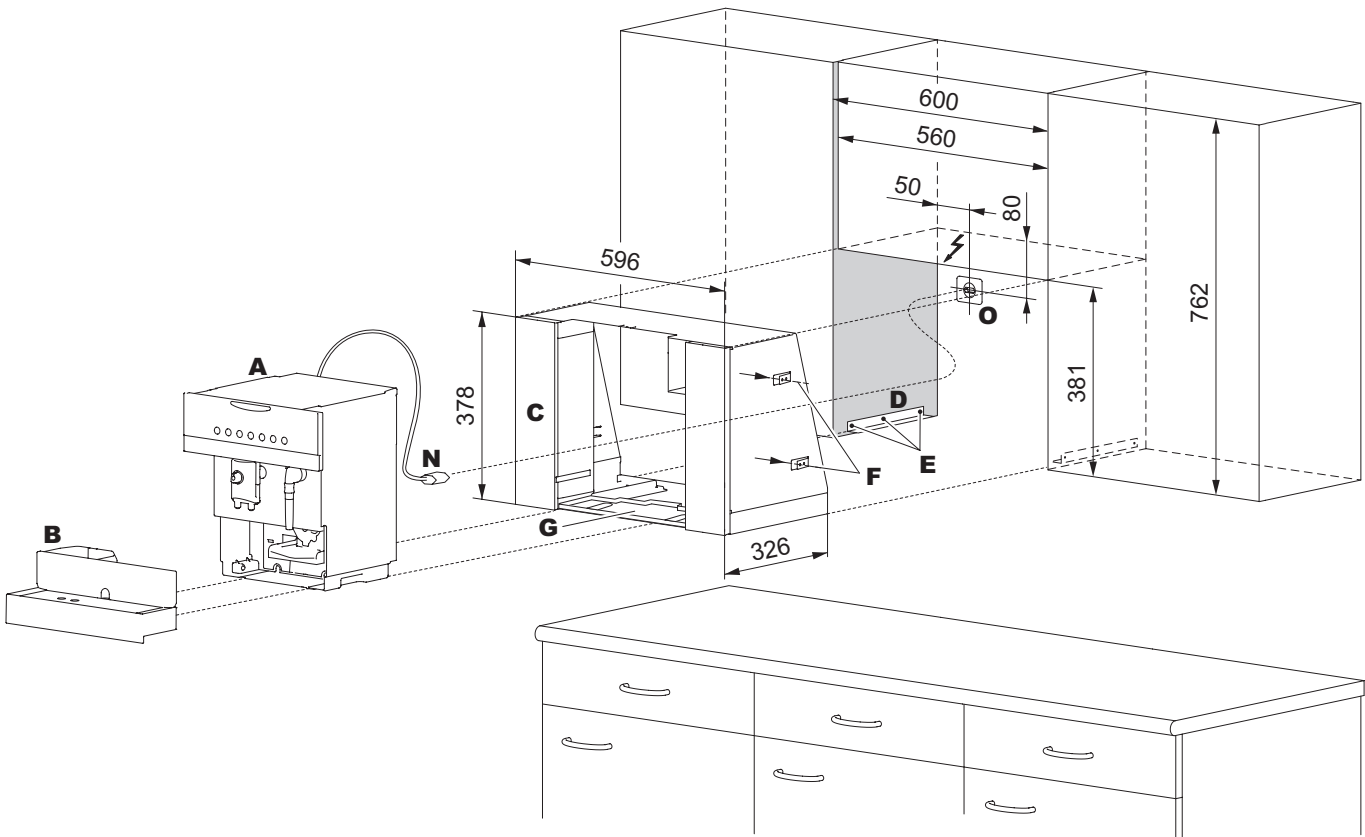
A plug-in appliance may only be connected to a socket outlet with earthing contact, installed according to specifications. A mains isolating device with 3 mm contact opening should be provided in the house wiring system. Switches, plug and socket devices, circuit breakers and fusible cut-outs which are accessible after installation and which have all-poles switching are permissible as isolating devices. Effective earthing and separately installed neutral and earth conductors ensure safe and fault-free operation. After installation, live parts and cables with basic insulation must not be accessible. Old installations should always be checked.

- ▶ Information on the necessary mains voltage, type of current and fuse protection is to be obtained from the identification plate.

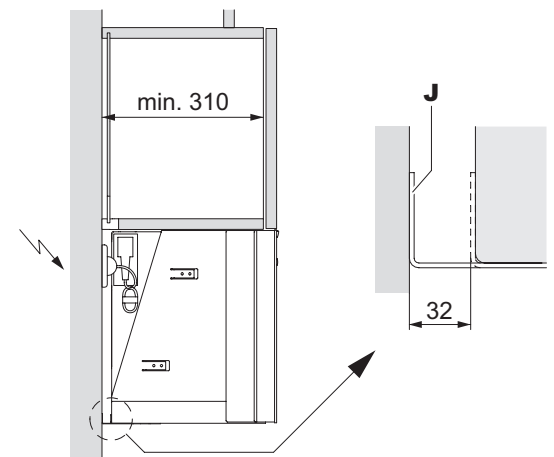


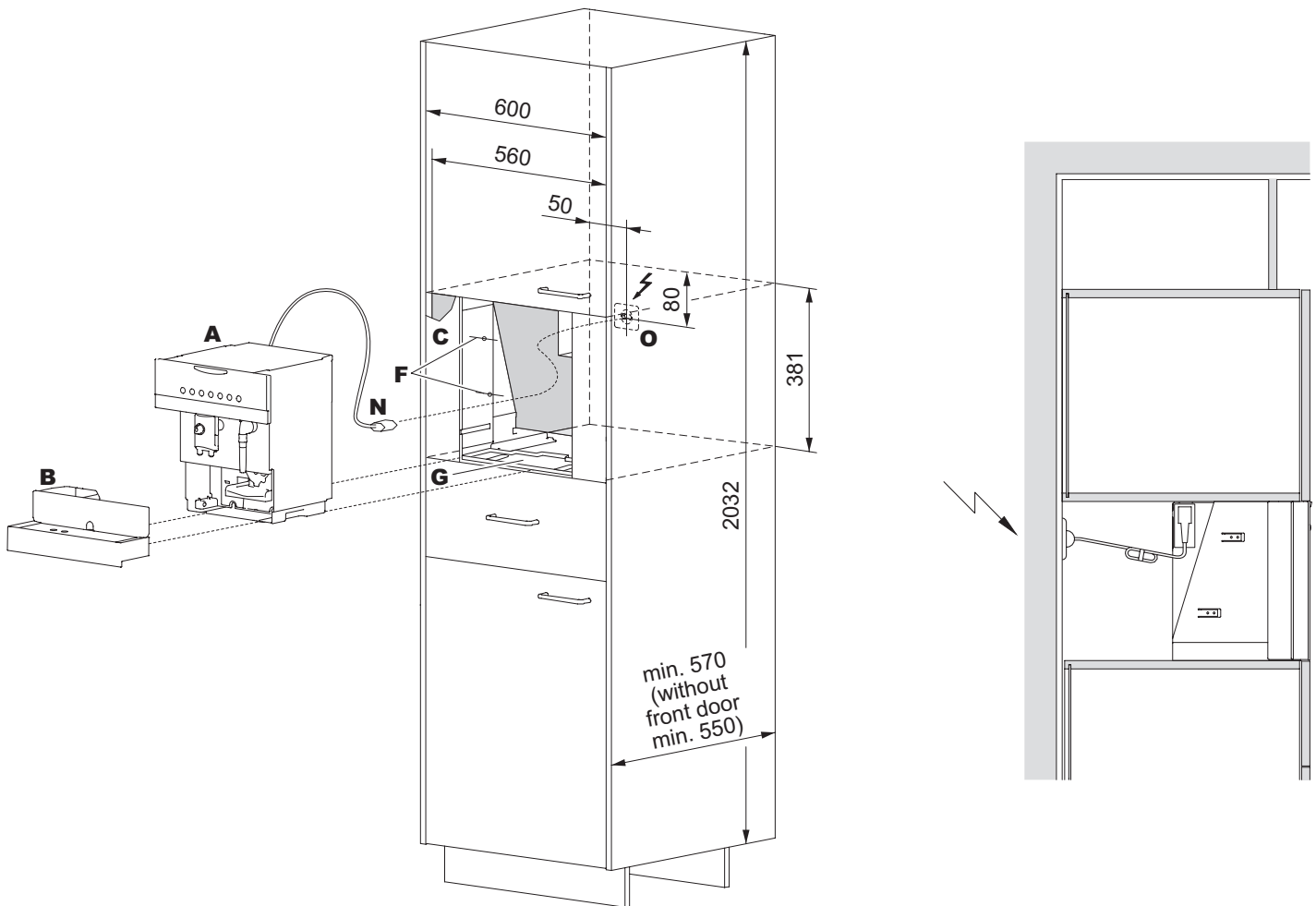
Installed in wall unit

Built-in solo



1. Punch 3 holes on both the left and right-hand niche walls for chipboard screws **E** 4.0 × 12 (punching template).
2. Attach wall brackets **D** on the left and right-hand sides with the enclosed screws **E**.
3. Remove drip pan **G** from mounting frame **C**.
4. Slide mounting frame **C** onto wall brackets **D** and slide forwards until flush with the front of the cabinet.
5. Fasten mounting frame **C** on the left and right-hand sides with 2 countersunk 4.0 × 20 chipboard screws **F** on each side.
6. Insert power socket **N** into wall socket **O**.
7. Place appliance **A** – without drip tray **B** – on the tracks and slide into place.
8. For detailed installation instructions, see page 5.
9. Create contact with the rear wall using adjustable stop bracket **J**.



**Installed in tall unit****Built-in solo**

1. Remove drip pan **G** from mounting frame **C**.
2. Slide mounting frame **C** forwards until flush with the front of the cabinet.
3. Fasten mounting frame **C** on the left and right-hand sides with 2 countersunk 4.0 × 20 chipboard screws **F** on each side.
4. Insert power socket **N** into wall socket **O**.
5. Place appliance **A** – without drip tray **B** – on the tracks and slide into place.
6. For detailed installation instructions, see page 5.

Installation instructions

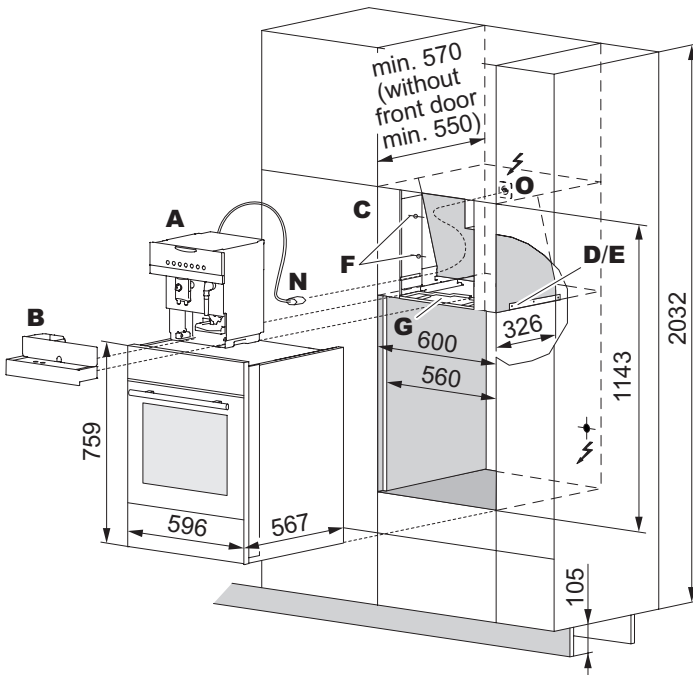
Coffee-Center
Type of construction 60-381



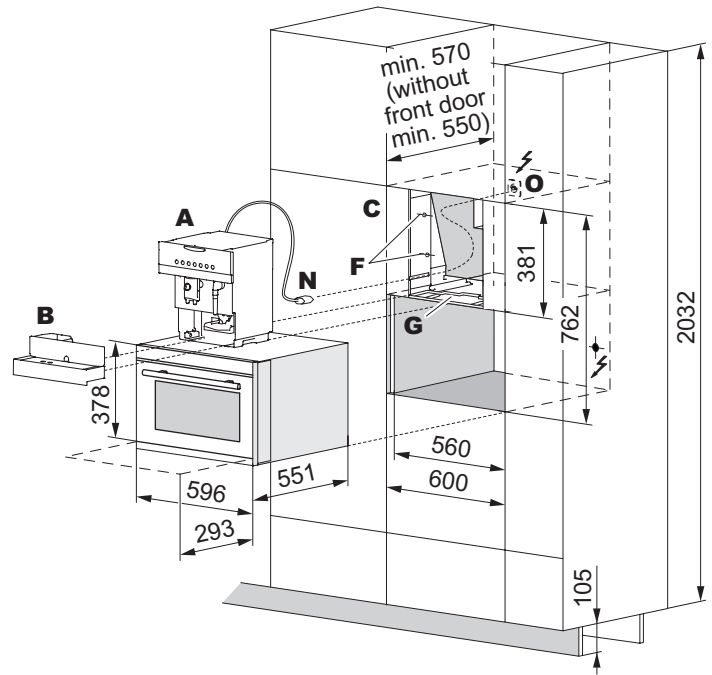
J301.113-0

19.5.08 ITH

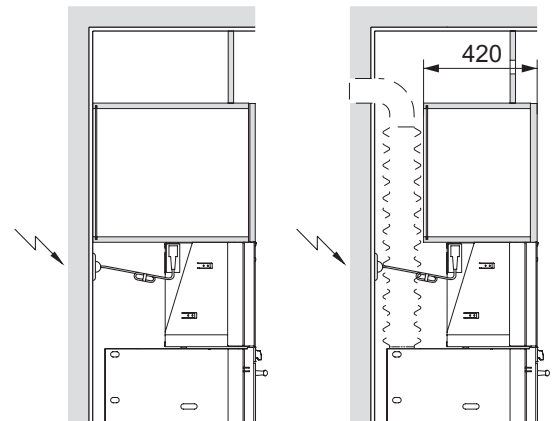
Coffee-Center & oven

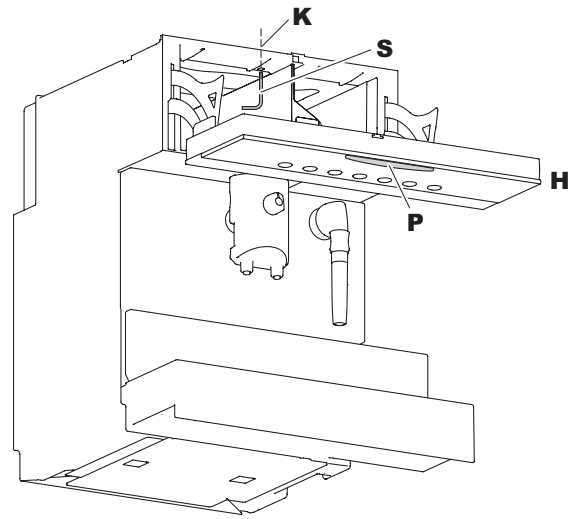
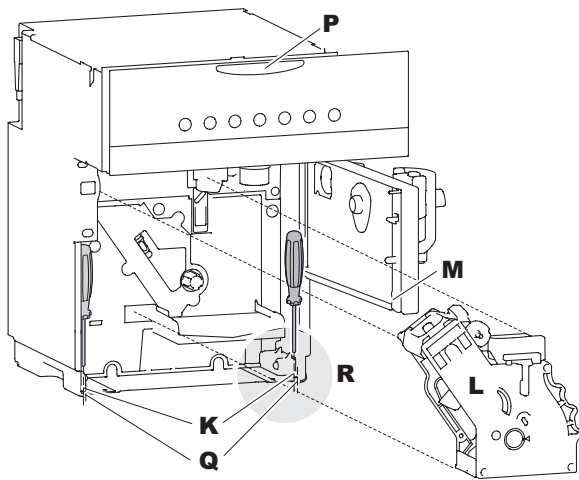


Coffee-Center & steam cooker



1. Punch 3 holes on both the left and right-hand niche walls for chipboard screws **E** 4.0 × 12 (punching template).
2. Attach wall bracket **D** on the left and right-hand sides with the enclosed screws **E**.
3. Remove drip pan **G** from mounting frame **C**.
4. Slide mounting frame **C** onto wall brackets **D** and slide forwards until flush with the front of the cabinet.
5. Fasten mounting frame **C** on the left and right-hand sides with 2 countersunk 4.0 × 20 chipboard screws **F** on each side.
6. Insert power socket **N** into wall socket **O**.
7. Place appliance **A** – without drip tray **B** – on the tracks and slide into place.
8. For detailed installation instructions, see page 5.



**Detailed installation instructions**

1. Open service door **M** using the handle on the left behind the cover.



Brewing system **L** can be removed from the appliance for easier access to the screws **K**.

2. Loosely screw in screws **K** M4 × 10 at the bottom left and right.
3. Close service door **M**.
4. Open operating panel **H** by pressing on handle strip **P**.
5. Loosely screw in screws **K** M4 × 10 at the top using socket screw key **S**.
6. Use adjusting screw **Q** to adjust the height of the front, if necessary (gap width, front alignment flush).
7. Firmly screw in all 3 screws **K**.
8. Replace drip pan **G** and drip tray **B**.

Detail R