

# Installation instructions

Microwave  
Type of construction 60-381



**J539.113-0**

19.5.08 ITH



The appliance should be installed by qualified personnel only. Each step must be carried out and checked in full in the order specified.

## Validity

These installation instructions apply to the model: **539**

## General notes



If fitting in flammable material, the guidelines and standards for low voltage installations and for the fire protection must be strictly observed.

## Identification plate

► Open the appliance door. The identification plate is located on the left-side panel.

## Dimensions

External dimensions (H × W × D): 378 × 595 × 320 mm  
Cooking space dimensions (H × W × D): 205 × 370 × 290 mm

## Electrical connections



Electrical connections must be carried out by trained electricians in accordance with the guidelines and standards for low voltage installations and the specifications of the local electricity supply companies.

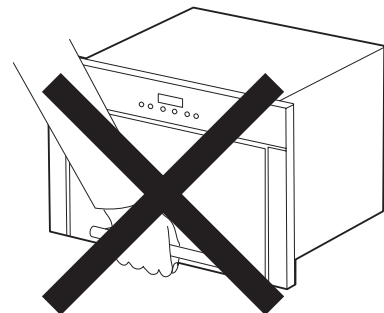
A plug-in appliance may only be connected to a socket outlet with earthing contact, installed according to specifications. A mains isolating device with 3 mm contact opening should be provided in the house wiring system. Switches, plug and socket devices, circuit breakers and fusible cut-outs which are accessible after installation and which have all-poles switching are permissible as isolating devices. Effective earthing and separately installed neutral and earth conductors ensure safe and fault-free operation. After installation, live parts and cables with basic insulation must not be accessible. Old installations should always be checked.

► Information on the necessary mains voltage, type of current and fuse protection is to be obtained from the identification plate.

## Installation

### Indications

- The appliance is not to be installed directly above a hot plate.
- Do not lift the appliance by the door handle.
- The ventilation slots in the mounting kit are not to be obstructed.
- An air supply must always be guaranteed.
- A ventilation cross-section of at least 110 cm<sup>2</sup> must be guaranteed when installing in a tall unit.



# Installation instructions

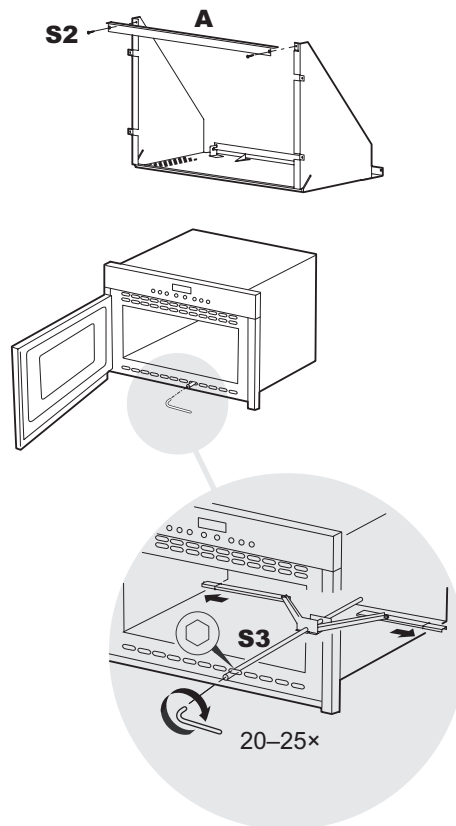
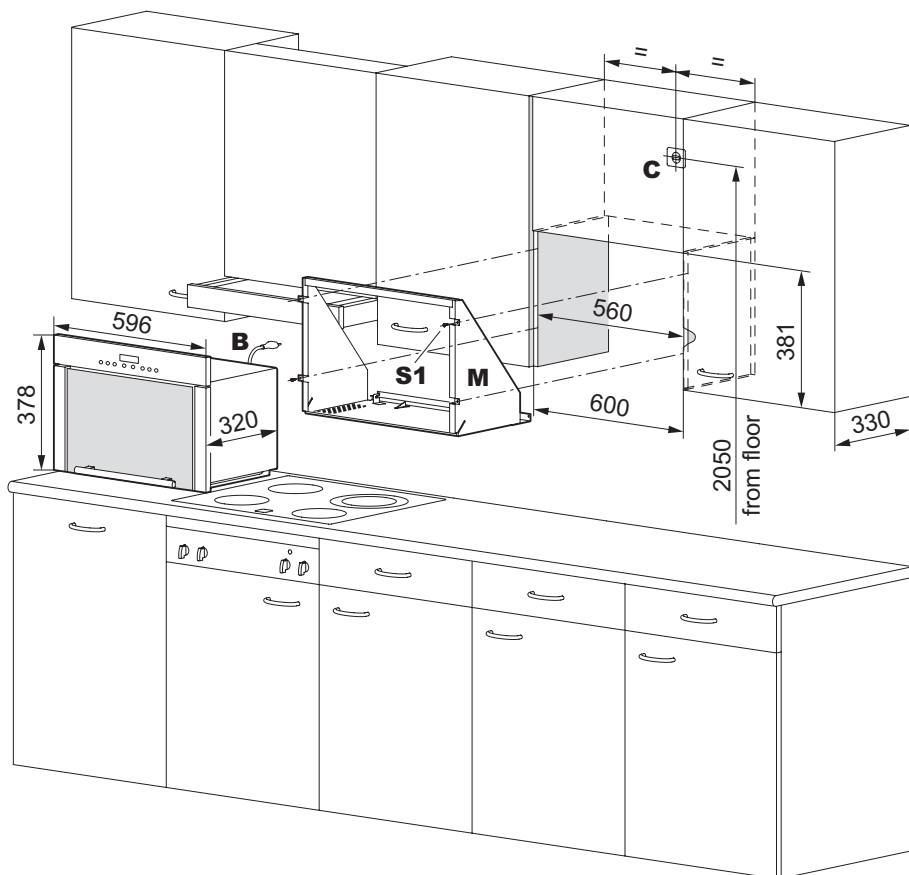
Microwave  
Type of construction 60-381



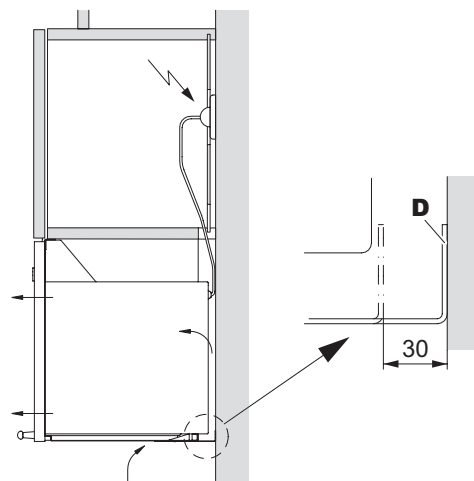
J539.113-0

19.5.08 ITH

## Mounting in a wall unit



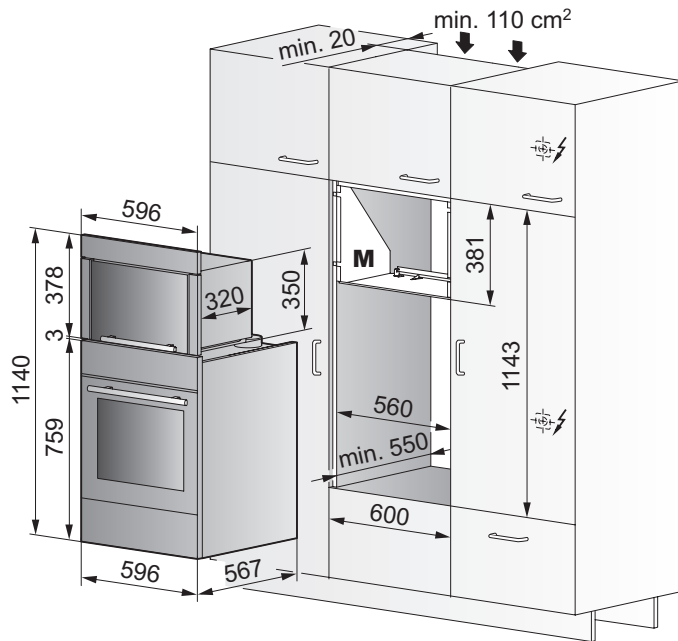
1. Pierce 2 holes left and right in the niche walls for chip board screws **S1**.
2. Fix mounting kit **M** left and right with the supplied screws **S1**.
3. Fix enclosure profile **A** left and right with the supplied screws **S2**. Adjust height.
4. Plug in connector cable **B** to socket **C**. Push appliance into mounting kit **M** up to the stop. Insert screw **S3** with supplied hexagon socket key clockwise ca. 20–25× until the appliance is fixed.
5. Introduce stop angle **D** (adjustable: 320–350 mm) up to the wall, then tighten.



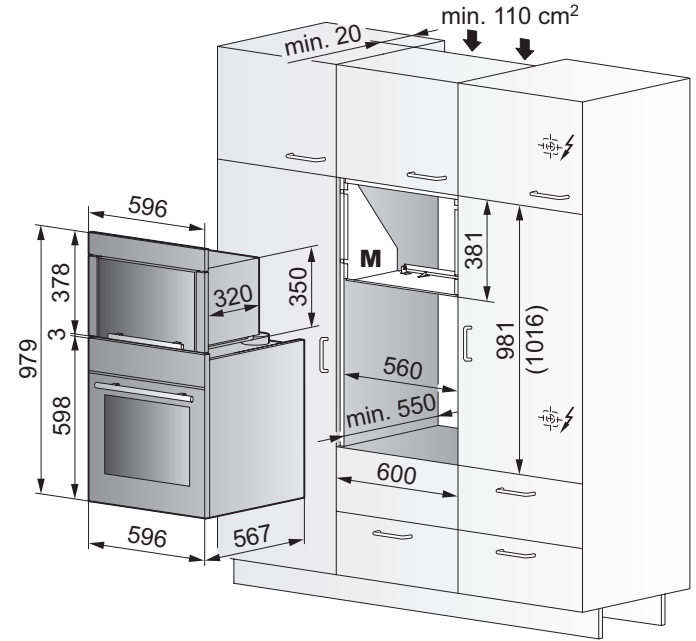


## Mounting in a tall unit

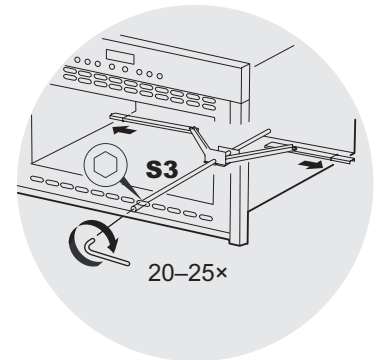
### Miwell SEC & oven



### Miwell SEC & oven without drawer

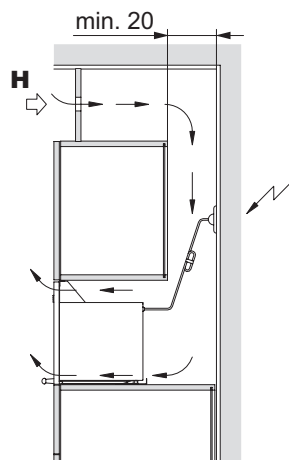


1. Pierce 2 holes left and right in the niche walls for chip board screws **S1**.
2. Fix mounting kit **M** left and right with the supplied screws **S1**.
3. Fix enclosure profile **A** left and right with the supplied screws **S2**. Adjust height.
4. Plug in connector cable **B** to socket **C**. Push appliance into mounting kit **M** up to the stop. Insert screw **S3** with supplied hexagon socket key clockwise ca. 20–25× until the appliance is fixed.

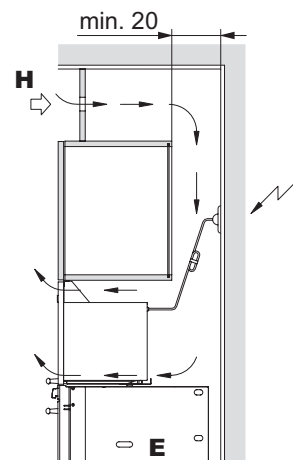


- E** Normal oven / tall unit
- F** Oven / oven with air extraction
- G** Tautly installed flexible aluminium hose
- H** Min. ventilation cross-section 110 cm<sup>2</sup>

#### Solo installation



#### Installation over normal oven



#### Installation over oven with air extraction

