

Installation instructions

Range hood DI-Mistral
Island hood
Operating modes: extracted air / recirculation air



J789.113-1

22.7.08 ITH



The appliance should be installed by qualified personnel only. Each step must be carried out and checked in full in the order specified.

Validity

These installation instructions apply to the models:

789 (DI-M10, construction width 100 cm)

790 (DI-M12, construction width 120 cm)

General notes



With the simultaneous operation of firing (e. g. wood, gas, oil or coal-fired heating systems), safe operation is only possible providing a room negative pressure of 4 Pa (0.04 mbar) is not exceeded at the location of the appliance. Risk of toxic fumes! An adequate flow of fresh air must be guaranteed, e. g. via non-closable openings in doors and windows and combined with ventilation wall bricks for incoming and exhaust air or by other technical means.



Efficient repairs can only be guaranteed if it is possible to disconnect the appliance at any time without causing any damage.

Identification plate

► Remove grease filter. The identification plate is on the inside of the appliance.

Supplied installation accessories

All fixing elements are contained in the scope of delivery.

Extraction mode



The extracted air must not be fed into a chimney.

Always observe the fire regulations.

Special tool

If the total hood height is >800 mm:

Extension for hexagonal socket key: Art. no. H4.1891

Electrical connections



Electrical connections must be carried out by trained electricians in accordance with the guidelines and standards for low voltage installations and the specifications of the local electricity supply companies.

A plug-in appliance may only be connected to a socket outlet with earthing contact, installed according to specifications. A mains isolating device with 3 mm contact opening should be provided in the house wiring system. Switches, plug and socket devices, circuit breakers and fusible cut-outs which are accessible after installation and which have all-poles switching are permissible as isolating devices. Effective earthing and separately installed neutral and earth conductors ensure safe and fault-free operation. After installation, live parts and cables with basic insulation must not be accessible. Old installations should always be checked.

► Information on the necessary mains voltage, type of current and fuse protection is to be obtained from the identification plate.

Option connection



The option may not be connected by a second side with mains voltage.

Installation instructions

Range hood DI-Mistral

Island hood

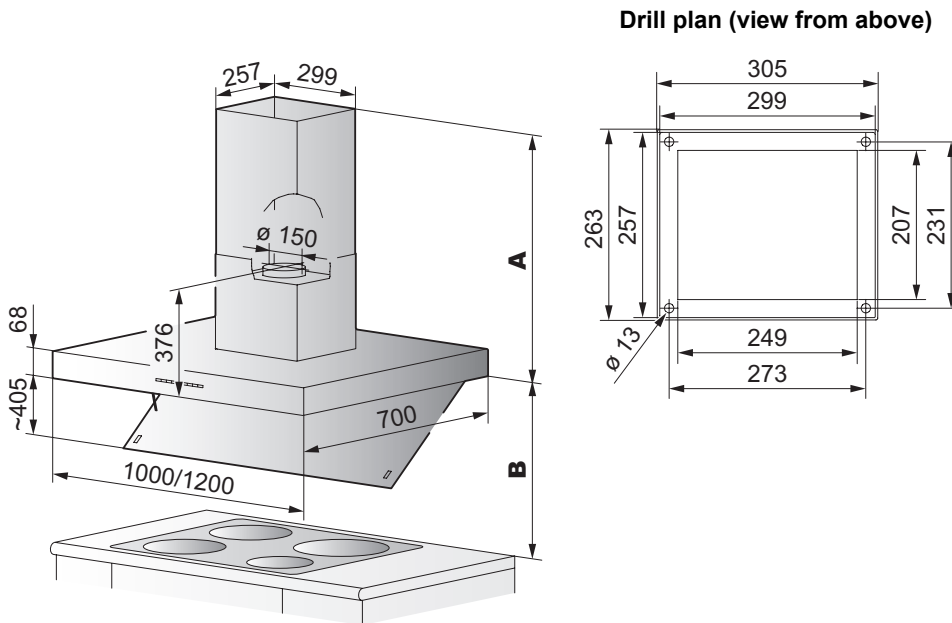
Operating modes: extracted air / recirculation air



J789.113-1

22.7.08 ITH

Dimensions



Telescopic casing

(available in various heights)

Height **A**: ► see planning documents for kitchen appliances

Distance above hob

Minimum height **B**:

For electric hob: min. 600 mm

For gas hob: min. 750 mm

Installation instructions

Range hood DI-Mistral

Island hood

Operating modes: extracted air / recirculation air



J789.113-1

22.7.08 ITH

Installation

Indications

- Avoid routing the exhaust air pipeline to the side through the flue casing.
- Planning features for non-destructive de-installation and maintenance of the appliance:
 - Do not route telescopic casing in suspended ceilings.
 - Avoid silicon joints between the telescopic casing and the appliance.
 - All plastering, plasterboarding, wall papering or painting work is to be carried out prior to the appliance installation.

Installation – extraction mode

1. Measure the centre point of the hob.
2. Attach paper template **C** to the ceiling, drill 4 holes **L1** (ø 10 mm) and push rawlplugs.
3. Screw hanger bolts **S** into the holes **L1** and leave 20 mm protruding.
4. Attach venting hose at venting tube (min. ø 150 mm) in the ceiling and cut it down to be 10 cm longer than upper lagging sheet **V1**.
5. Determine the installation height and drill 4 holes **L2** into upper lagging sheet **V1** with help of the dimension data on sheet **H**.



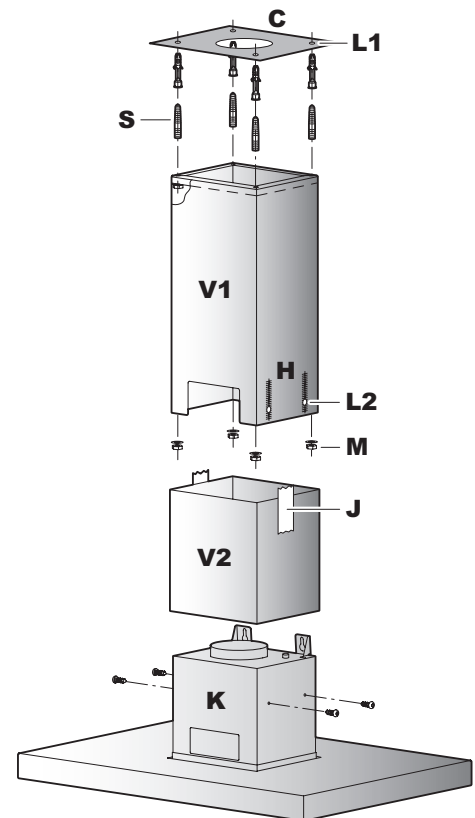
The 4 holes **L2** must be aligned horizontally.

Observe the minimum distance **B** above the hob:

For electric hob: min. 600 mm

For gas hob: min. 750 mm

6. Attach upper lagging sheet **V1** to the ceiling with washers, nuts **M**.
7. Slide lower lagging sheet **V2** over upper lagging sheet **V1** and attach with adhesive strips **J**.
8. Attach venting hose at exhaust air connection. Ensure hose is not kinked and is taut.
9. Execute the electrical connection (see section «Electrical connections»).
10. Bolt together hood **K** and upper lagging sheet **V1**.
11. Remove adhesive strips **J** and position lower lagging sheet **V2** correctly on the hood.



Installation instructions

Range hood DI-Mistral

Island hood

Operating modes: extracted air / recirculation air



J789.113-1

22.7.08 ITH

Installation – recirculation mode

1. Measure the centre point of the hob.
2. Attach paper template **C** to the ceiling, drill 4 holes **L1** (ø 10 mm) and push rawlplugs.
3. Screw hanger bolts **S** into the holes **L1** and leave 20 mm protruding.
4. Use drill template **D** to drill 4 holes for attachment **E** for diverter piece **F**.
5. Bend up mounting links **G** by about 1 mm. Screw on attachment **E** and click diverter piece **F** into place from underneath.
6. Attach venting hose at venting tube (min. ø 150 mm) in the ceiling and cut it down to be 10 cm longer than upper lagging sheet **V1**.
7. Determine the installation height and drill 4 holes **L2** into upper lagging sheet **V1** with help of the dimension data on sheet **H**.



The 4 holes **L2** must be aligned horizontally.

Observe the minimum distance **B** above the hob:

For electric hob: min. 600 mm

For gas hob: min. 750 mm

8. Attach upper lagging sheet **V1** to the ceiling with washers, nuts **M**.
9. Slide lower lagging sheet **V2** over upper lagging sheet **V1** and attach with adhesive strips **J**.
10. Attach venting hose at exhaust air connection. Ensure hose is not kinked and is taut.
11. Execute the electrical connection (see section «Electrical connections»).
12. Bolt together hood **K** and upper lagging sheet **V1**.
13. Remove adhesive strips **J** and position lower lagging sheet **V2** correctly on the hood.
14. Place activated carbon filters **N** into brackets **O** and attach to upper lagging sheet **V1**.

