

Installation instructions

Range hood DW-RG9
Wall hood
Operating mode: extracted air



J871.113-1

24.7.08 ITH



The appliance should be installed by qualified personnel only. Each step must be carried out and checked in full in the order specified.

Validity

These installation instructions apply to the model: **871** (DW-RG9, construction width 90 cm)

General notes



With the simultaneous operation of firing (e. g. wood, gas, oil or coal-fired heating systems), safe operation is only possible providing a room negative pressure of 4 Pa (0.04 mbar) is not exceeded at the location of the appliance. Risk of toxic fumes! An adequate flow of fresh air must be guaranteed, e. g. via non-closable openings in doors and windows and combined with ventilation wall bricks for incoming and exhaust air or by other technical means.



Efficient repairs can only be guaranteed if it is possible to disconnect the appliance at any time without causing any damage.

Identification plate

- ▶ Remove grease filter. The identification plate is on the inside of the appliance.

Supplied installation accessories

All fixing elements are contained in the scope of delivery.

Extraction mode



The extracted air must not be fed into a chimney.

Always observe the fire regulations.

Electrical connections



Electrical connections must be carried out by trained electricians in accordance with the guidelines and standards for low voltage installations and the specifications of the local electricity supply companies.

A plug-in appliance may only be connected to a socket outlet with earthing contact, installed according to specifications. A mains isolating device with 3 mm contact opening should be provided in the house wiring system. Switches, plug and socket devices, circuit breakers and fusible cut-outs which are accessible after installation and which have all-poles switching are permissible as isolating devices. Effective earthing and separately installed neutral and earth conductors ensure safe and fault-free operation. After installation, live parts and cables with basic insulation must not be accessible. Old installations should always be checked.

- ▶ Information on the necessary mains voltage, type of current and fuse protection is to be obtained from the identification plate.

Installation instructions

Range hood DW-RG9

Wall hood

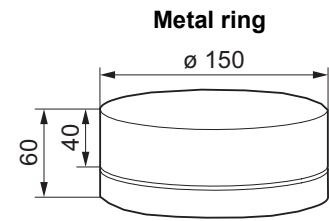
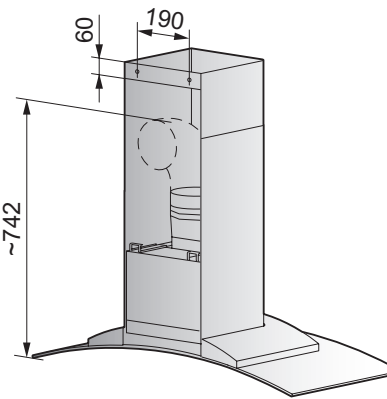
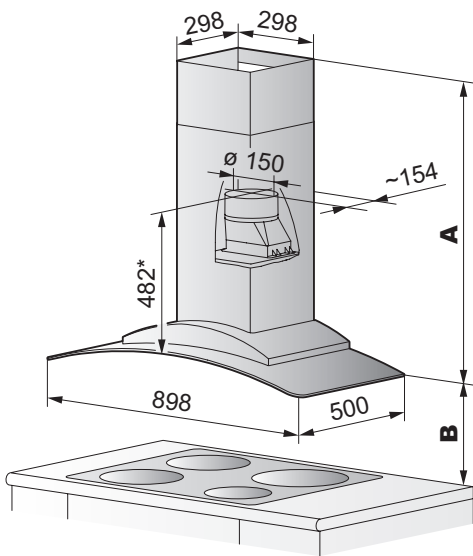
Operating mode: extracted air



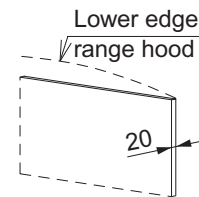
J871.113-1

24.7.08 ITH

Dimensions



Use of stone cladding



* With metal ring: 522 mm

Telescopic casing

(available in various heights)

Height **A**: ► see planning documents for kitchen appliances

Distance above hob

Minimum height **B**:

For electric hob: min. 600 mm

For gas hob: min. 750 mm

As the utilised hood glass is hand-made it has large tolerances. Therefore an arched stone cladding can only be constructed individually for a previously obtained hood.

Installation

Indications

- Avoid routing the exhaust air pipeline to the side through the flue casing.
- Planning features for non-destructive de-installation and maintenance of the appliance:
 - Do not route telescopic casing in suspended ceilings.
 - Avoid silicon joints between the telescopic casing and the appliance.
 - All plastering, plasterboarding, wall papering or painting work is to be carried out prior to the appliance installation.

Installation

1. Attach paper template to the wall, drill 4 holes **L1** and push raw/plugs.
2. Attach 2 support bows **C** with screws to the wall.
3. Fit hood **H** and remove grease filter.
4. Use adjuster screws **S1** to adjust the horizontal position on the left and on the right.
5. Mark 2 holes **L2**, take off hood, drill holes and push raw/plugs.
6. Fit hood and attach it with screws.
7. Attach exhaust air connection **F** and gasket **G** with 2 screws on hood **H**.
8. Put on metal ring **J**.
9. Drill 2 holes **L3** for metal support **K** – aligned to hood – push raw/plugs.
10. Attach metal support **K** with 2 screws to the wall.
11. Install venting hose. Ensure hose is not kinked and is taut.
12. Install lagging sheets **V1**, **V2**. Attach upper lagging sheet **V1** with 2 screws **S2** to metal support **K**.
13. Fix lower lagging sheet **V2** to support opening.
14. Insert grease filter.

