

# Installation instructions

Range hood DI-RG10

Island hood

Operating modes: extracted air / recirculation air



**J872.113-1**

22.7.08 ITH



The appliance should be installed by qualified personnel only. Each step must be carried out and checked in full in the order specified.

## Validity

These installation instructions apply to the model: **872** (DI-RG10, construction width 100 cm)

## General notes



With the simultaneous operation of firing (e. g. wood, gas, oil or coal-fired heating systems), safe operation is only possible providing a room negative pressure of 4 Pa (0.04 mbar) is not exceeded at the location of the appliance. Risk of toxic fumes! An adequate flow of fresh air must be guaranteed, e. g. via non-closable openings in doors and windows and combined with ventilation wall bricks for incoming and exhaust air or by other technical means.



Efficient repairs can only be guaranteed if it is possible to disconnect the appliance at any time without causing any damage.

## Identification plate

- ▶ Remove grease filter. The identification plate is on the inside of the appliance.

## Supplied installation accessories

All fixing elements are contained in the scope of delivery.

## Extraction mode



The extracted air must not be fed into a chimney.

Always observe the fire regulations.

## Electrical connections



Electrical connections must be carried out by trained electricians in accordance with the guidelines and standards for low voltage installations and the specifications of the local electricity supply companies.

A plug-in appliance may only be connected to a socket outlet with earthing contact, installed according to specifications. A mains isolating device with 3 mm contact opening should be provided in the house wiring system. Switches, plug and socket devices, circuit breakers and fusible cut-outs which are accessible after installation and which have all-poles switching are permissible as isolating devices. Effective earthing and separately installed neutral and earth conductors ensure safe and fault-free operation. After installation, live parts and cables with basic insulation must not be accessible. Old installations should always be checked.

- ▶ Information on the necessary mains voltage, type of current and fuse protection is to be obtained from the identification plate.

## Installation instructions

Range hood DI-RG10

Island hood

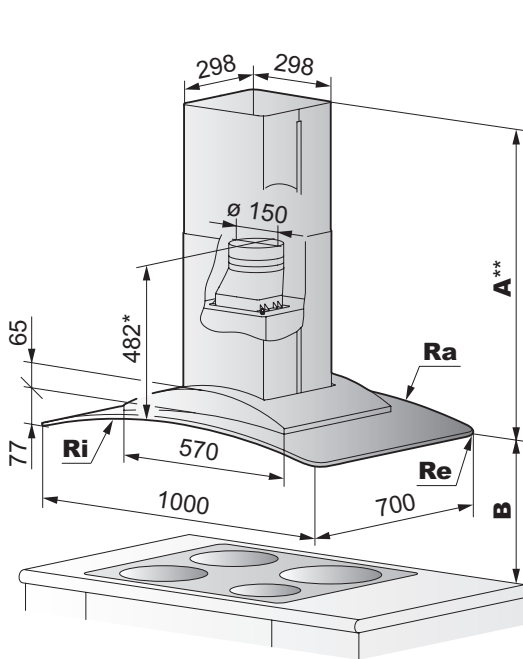
Operating modes: extracted air / recirculation air



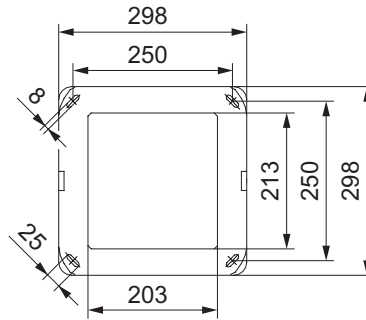
J872.113-1

22.7.08 ITH

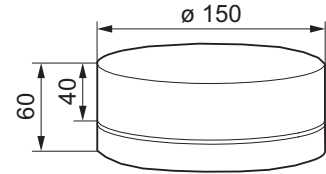
## Dimensions



Drill plan (view from above)



Metal ring



**Ra** Radius glass outside: ~1821 mm

**Ri** Radius glass inside: ~1813 mm

**Re** Radius glass corner: ~50 mm

\* With metal ring: 522 mm

\*\* Grid interval: 15 mm

## Telescopic casing

(available in various heights)

Height **A**: ► see planning documents for kitchen appliances

## Distance above hob

Minimum height **B**:

For electric hob: min. 600 mm

For gas hob: min. 750 mm

## Installation

### Indications

- Avoid routing the exhaust air pipeline to the side through the flue casing.
- Planning features for non-destructive de-installation and maintenance of the appliance:
  - Do not route telescopic casing in suspended ceilings.
  - Avoid silicon joints between the telescopic casing and the appliance.
  - All plastering, plasterboarding, wall papering or painting work is to be carried out prior to the appliance installation.

# Installation instructions

Range hood DI-RG10

Island hood

Operating modes: extracted air / recirculation air



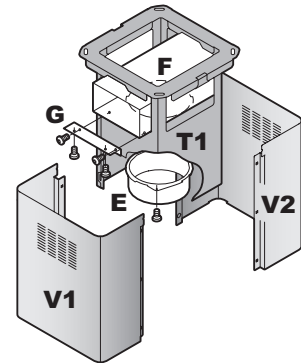
J872.113-1

22.7.08 ITH

## Installation

1. Attach paper template **C** to the ceiling, drill 4 holes ( $\varnothing$  10 mm) and push rawplugs.
2. **Extraction mode**  
Attach venting hose at venting tube (min.  $\varnothing$  150 mm) in the ceiling.
- Recirculation mode**  
Bolt together connection tube **E** and diverter piece **F**. Attach diverter piece and angle **G** at carrier support **T1**. Attach venting hose at connection tube **E**.
3. Adjust carrier supports **T1**, **T2** to adequate length (grid interval: 15 mm) and tighten them with 8 screws **S1**.
4. Attach carrier supports with 4 screws **S2** to the ceiling.
5. Equip upper lagging sheets **V1**, **V2** with castellated nuts **M1**. Bolt together both halves with screw **S3**. Slide from bottom onto carrier supports.
6. Fit hood **H** with nuts **M2** on carrier support **T2**. Turn the hood counterclockwise and tighten nuts.
7. Remove grease filter.
8. Execute the electrical connection (see section «Electrical connections»).
9. Attach venting hose at exhaust air connection. Ensure hose is not kinked and is taut.
10. Attach upper lagging sheets **V1**, **V2** with screws **S4**.
11. Equip lower lagging sheet **V4** with castellated nuts **M1** and push from rear onto carrier supports. Push lower lagging sheet **V3** from front and bolt together both halves with screw **S3**.
12. Install lower cover strips **U2**. Cut upper cover strips **U1** to adequate length and install them.
13. Remove grease filter.

Recirculation mode



Extraction mode

