

Installation instructions

Range hood DW-Mistral

Wall hood

Operating modes: extracted air / recirculation air



J787.113-2

13.11.08 ITH



The appliance should be installed by qualified personnel only. Each step must be carried out and checked in full in the order specified.

Validity

These installation instructions apply to the models:

787 (DW-M9, construction width 90 cm)

788 (DW-M12, construction width 120 cm)

General notes



With the simultaneous operation of firing (e. g. wood, gas, oil or coal-fired heating systems), safe operation is only possible providing a room negative pressure of 4 Pa (0.04 mbar) is not exceeded at the location of the appliance. Risk of toxic fumes! An adequate flow of fresh air must be guaranteed, e. g. via non-closable openings in doors and windows and combined with ventilation wall bricks for incoming and exhaust air or by other technical means.



Efficient repairs can only be guaranteed if it is possible to disconnect the appliance at any time without causing any damage.

Identification plate

- ▶ Remove grease filter. The identification plate is on the inside of the appliance.

Supplied installation accessories

All fixing elements are contained in the scope of delivery.

Extraction mode



The extracted air must not be fed into a chimney.

Always observe the fire regulations.

Electrical connections



Electrical connections must be carried out by trained electricians in accordance with the guidelines and standards for low voltage installations and the specifications of the local electricity supply companies.

A plug-in appliance may only be connected to a socket outlet with earthing contact, installed according to specifications. A mains isolating device with 3 mm contact opening should be provided in the house wiring system. Switches, plug and socket devices, circuit breakers and fusible cut-outs which are accessible after installation and which have all-poles switching are permissible as isolating devices. Effective earthing and separately installed neutral and earth conductors ensure safe and fault-free operation. After installation, live parts and cables with basic insulation must not be accessible. Old installations should always be checked.

- ▶ Information on the necessary mains voltage, type of current and fuse protection is to be obtained from the identification plate.

Option connection



The option may not be connected by a second side with mains voltage.

Installation instructions

Range hood DW-Mistral

Wall hood

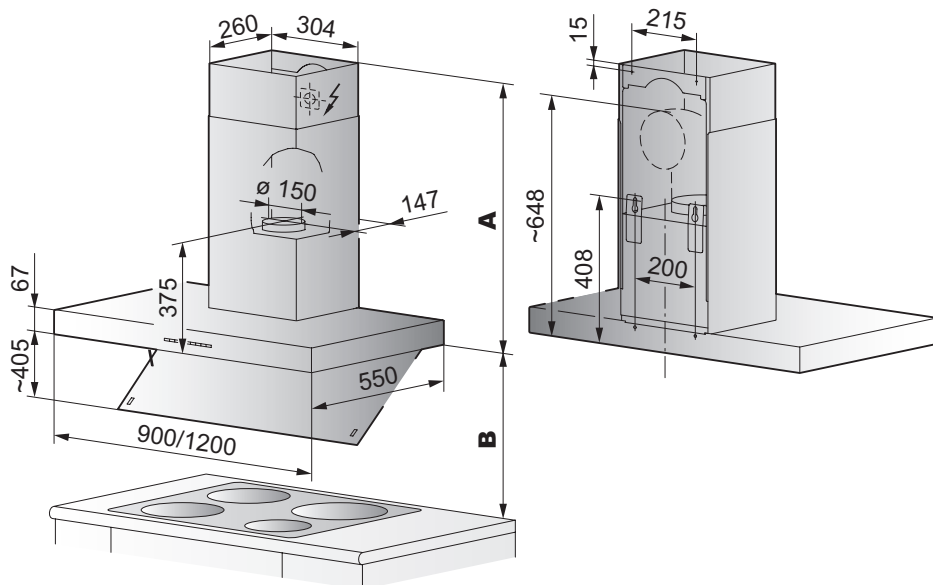
Operating modes: extracted air / recirculation air



J787.113-2

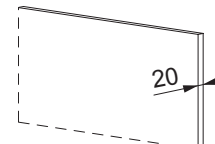
13.11.08 ITH

Dimensions



As the bottom edge strip of the appliance is 25 mm wide, a chamfer is not obligatory though it may well be considered appropriate for aesthetic reasons.

Use of stone cladding



20 mm thick wall panels (granite, marble) are possible.

Telescopic casing

(available in various heights)

Height **A**: ► see planning documents for kitchen appliances

Distance above hob

Minimum height **B**:

For electric hob: min. 600 mm

For gas hob: min. 750 mm

Installation instructions

Range hood DW-Mistral

Wall hood

Operating modes: extracted air / recirculation air



J787.113-2

13.11.08 ITH

Installation

Indications

- Avoid routing the exhaust air pipeline to the side through the flue casing.
- Planning features for non-destructive de-installation and maintenance of the appliance:
 - Do not route telescopic casing in suspended ceilings.
 - Avoid silicon joints between the telescopic casing and the appliance.
 - All plastering, plasterboarding, wall papering or painting work is to be carried out prior to the appliance installation.

Installation – extraction mode

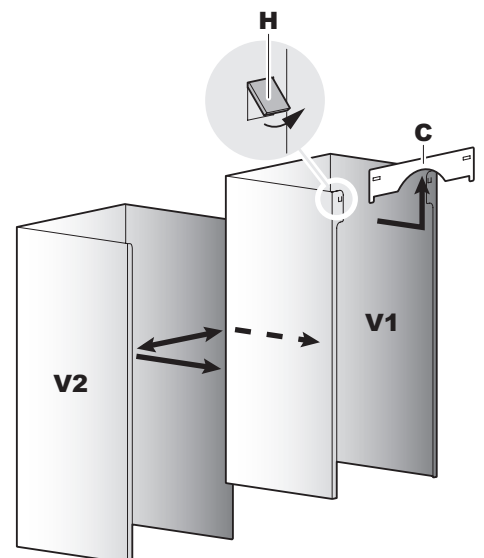
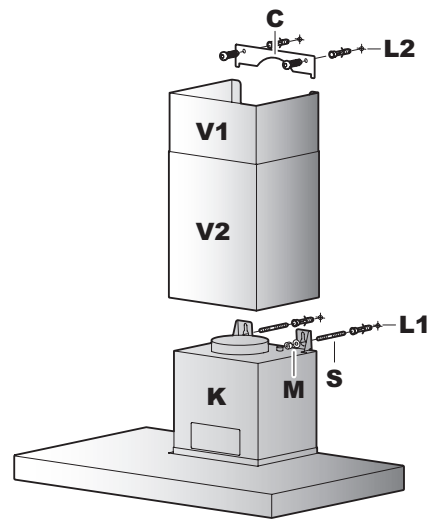
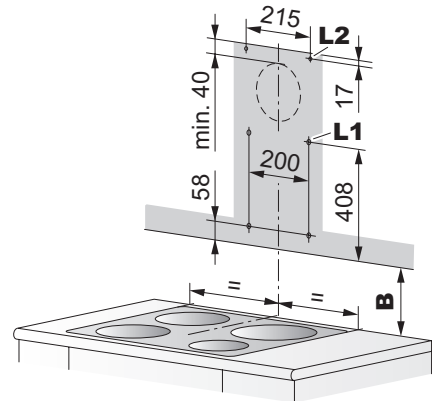
1. Measure the centre point of the hob. Observe the minimum distance **B** above the hob:
For electric hob: min. 600 mm
For gas hob: min. 750 mm

2. Drill 4 holes **L1** (ø 10 mm) for fixing the appliance and push rawlplugs flush into the ceiling.
3. Drill 2 holes **L2** (ø 8 mm) for the angle bracket **C** and push rawlplugs flush into the ceiling.



The holes **L1** and **L2** must be perpendicular to one another.

4. Fix angle bracket **C** with 2 screws to the wall.
5. Screw 4 hanger bolts **S** into the holes **L1** and leave 20 mm protruding.
6. Attach hood **K** and fix with washers and nuts **M**.
7. Install venting hose. Ensure hose is not kinked and is taut.
8. Execute the electrical connection (see section «Electrical connections»).
9. Bend mounting **H** on the upper lagging sheet **V1** ca. 1 mm outwards.
10. Push upper lagging sheet **V1** from below into the lugs of angle bracket **C** until it engages.
11. Enlarge lower lagging sheet **V2** outwards and place over the upper lagging sheet **V1** (use suction cups for secure holding).
12. Place lower lagging sheet **V2** flush on to the hood **K**.



Installation instructions

Range hood DW-Mistral

Wall hood

Operating modes: extracted air / recirculation air



J787.113-2

13.11.08 ITH

Installation – recirculation mode

1. Measure the centre point of the hob. Observe the minimum distance **B** above the hob:
For electric hob: min. 600 mm
For gas hob: min. 750 mm

2. Drill 4 holes **L1** (ø 10 mm) for fixing the appliance and push rawplugs flush into the ceiling.
3. Drill 2 holes **L2** (ø 8 mm) for the angle bracket **C** and push rawplugs flush into the ceiling.



The holes **L1** and **L2** must be perpendicular to one another.

4. Fix angle bracket **C** with 2 screws to the wall.
5. Screw 4 hanger bolts **S** into the holes **L1** and leave 20 mm protruding.
6. Attach hood **K** and fix with washers and nuts **M**.
7. Using drill template **D**, drill 4 holes for fixing element **E** for diverter piece **F**.
8. Bend up lugs **G** ca. 1 mm. Screw mount fixing element **E** and click diverter piece **F** into place from below.
9. Install venting hose. Ensure hose is not kinked and is taut.
10. Execute the electrical connection (see section «Electrical connections»).
11. Bend mounting **H** on the upper lagging sheet **V1** ca. 1 mm outwards.
12. Push upper lagging sheet **V1** from below into the lugs of angle bracket **C** until it engages.
13. Enlarge lower lagging sheet **V2** outwards and place over the upper lagging sheet **V1** (use suction cups for secure holding).
14. Place lower lagging sheet **V2** flush on to the hood **K**.
15. Place activated carbon filter **N** into brackets **O** and attach to upper lagging sheet **V1**.

