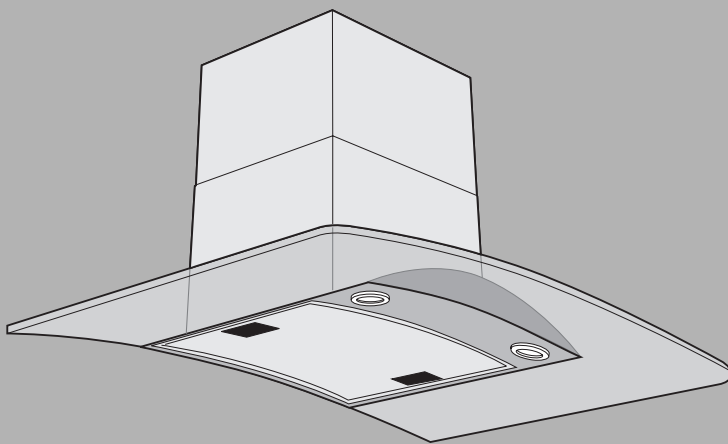


Range hood

DW-RG



Operating instructions

Dear V-ZUG Customer

Thank you for choosing to buy one of our products.

Your appliance is made to high standards and is easy to use. Nevertheless, please take the time to read these operating instructions in order to familiarize yourself with the appliance and get the best use out of it.

Please follow the safety precautions.

Modifications

Text, diagrams and data correspond to the technical standard of the appliance at the time these operating instructions went to press. The right to make technical modifications for the purpose of the further development of the appliance is reserved.

Symbols used



Denotes important safety precautions. Failure to observe said precautions can result in injury or damage to the appliance or fittings!

- ▶ Indicates step-by-step instructions.
 - Describes how the appliance reacts to the steps taken.
- Indicates a list.



Denotes useful tips for the user.

Validity

The model number corresponds to the first three digits on the identification plate. These operating instructions apply to the model:

Type	Model no.
DW-RG9	871

Variations depending on the model are noted in the text.

Contents

Safety precautions	4
Before using for the first time	4
Correct use	5
Children in the home	5
Note on use	6
Appliance description	8
Extraction model	8
Fitted with	8
Construction	9
Operating and display elements	10
Operating the appliance	11
Operation	11
Intensive level	12
Illumination	12
Care and maintenance	13
Cleaning the housing	13
Cleaning the grease filter	14
Replacing the halogen light	16
Trouble-shooting	17
What to do if	17
Accessories and spare parts	18
Technical data	19
Disposal	20
Index	21
Repair service	23
Quick instructions	24

Safety precautions



The appliance corresponds to recognised technology standards and the relevant safety regulations. Proper use of the appliance is however essential to avoid damage and accidents. Please therefore follow the precautions given in these operating instructions.

In accordance with the requirements of IEC 60335-1:

- This appliance is not intended for use by persons (including children) with reduced physical, sensory or mental capabilities, or lack of experience and knowledge, unless supervised or unless they have been given instruction concerning the use of the appliance by a person responsible for their safety.

Before using for the first time

- The appliance must be installed and connected up to the electricity supply according to the separate installation instructions. The necessary work should be carried out by a qualified fitter or electrician.
- Dispose of the packaging material in accordance with local regulations.

Correct use

- The appliance is designed for use in the home for extracting cooking fumes and smells from above the cooking surface.
- Any repairs, modifications or manipulations to the appliance, especially any electrically live parts, should only be carried out by the manufacturer, its Customer Services or similarly qualified persons. Repairs if carried out incorrectly may cause serious injury, damage to the appliance and fittings, as well as affect the functioning of the appliance. If the appliance is not working properly or in case of a repair order, follow the instructions given in the 'Repair service' section. Please contact our Customer Services if necessary.
- Use original spare parts only.
- Retain these operating instructions for future reference. If you sell or pass the appliance on to a third party, please ensure these operating instructions, together with the installation instructions, accompany the appliance. In this way, the new owner can inform themselves about how to use the appliance correctly and read the pertinent safety precautions.

Children in the home

- Packaging material (e. g. plastic, polystyrene) can be dangerous for children. Danger of suffocation! Please keep packaging material away from children.
- The appliance is designed for use by adults who are familiar with these operating instructions. Children are often unable to recognise the danger of electrical appliances. Ensure proper supervision and do not allow children to play with the appliance – there is a danger that children can hurt themselves.

Note on use

- If the appliance is visibly damaged, do not use it. Contact our Customer Services.
- If the appliance is not operating properly, disconnect it from the electricity supply immediately.
- Do not flambé food underneath the hood as the grease filters if laden with grease could catch fire.
- If frying on the cooking surface, do not leave the frying appliance unattended. The cooking oil in the frying appliance could overheat and catch fire. Constantly monitor the temperature of the cooking oil, keeping it below the temperature at which it can catch fire. Change the cooking oil regularly – dirty oil catches fire more easily than clean oil.
- Clean the filters regularly. Failure to do so can increase the fire hazard due to the build-up of grease in the grease filter.
- Do not operate the individual cooking zones of the cooking surface without a pan on them or with an empty pan on them so as to avoid damaging the appliance or the kitchen fittings through a build-up of heat. Avoid open fires with oil, gas, wood and coal fired cookers.
- Ensure there is adequate ventilation when the extraction fan is on so as to avoid creating a disturbing underpressure in the kitchen and to achieve optimal air extraction.

- If another appliance – fuelled by gas or other fuels – is being used at the same time, ensure that there is a sufficient supply of fresh air. This does not apply to air recirculation units.
- With the simultaneous operation of chimney-dependent firing (e. g. Swedish oven, gas, oil or coal-fired heaters, continuous flow heaters or water heaters) safe operation is only possible providing a room negative pressure of 4 Pa (0.04 mbar) is not exceeded at the location of the appliance. Risk of toxic fumes! An adequate flow of fresh air must be guaranteed, e. g. via non-closable openings in doors and windows and combined with ventilation wall bricks for incoming and exhaust air or by other technical means.
- When carrying out maintenance work on the appliance, including replacing the light bulb, cut off the electricity supply to the appliance (remove the screw fuse from the holder or switch the circuit breaker off, or disconnect from the mains supply).
- When cleaning the appliance make sure no water gets inside the appliance. Use a moderately damp cloth. Do not spray the inside or outside of the appliance with water. Do not use a steam cleaner. If water gets inside the appliance, it can cause damage.

Appliance description

The appliance is designed to extract cooking fumes and smells from the cooking area. The appliance is for use in extraction mode.

Extraction model

The cooking fumes are extracted by a ventilator. The metal grease filters clean the extracted air, which is passed through a connecting pipe fitted with an integrated non-return valve and through the air duct to the outside.



When the appliance is in use, ensure there is a sufficient supply of fresh air to replace the air that is being extracted.

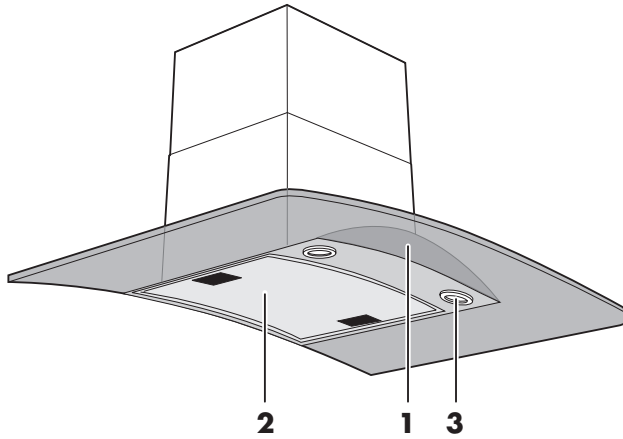
Fitted with

- 1 extraction fan
- Illumination
- 1 metal grease filter

The extraction fan has 4 power levels.

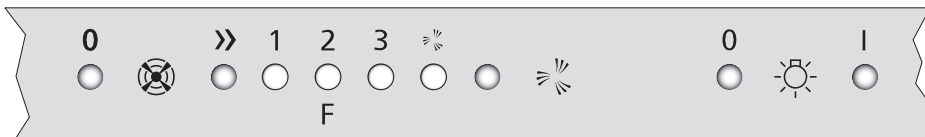
- 1 = low, 2 = medium, 3 = high and intensive level.
- Power levels 1–3 can be used for longer periods of operation.
- The intensive level is for shorter bursts of intensive extraction of the cooking fumes and smells, e.g. when searing meat. The intensive level runs for a maximum of 5 minutes at a time.

Construction



- 1** Operating panel
- 2** Metal grease filter
- 3** Halogen light


Operating and display elements



Buttons

Operation 


- »»** Switch on / Power level
- 0** Switch off / Reset saturation indicator

Intensive level 
Intensive level

Illumination 

- I** On
- 0** Off

Indicator lights

- 1** Power level 1
- 2 / F** Power level 2 / Saturation indicator for grease filter
- 3** Power level 3
-  Intensive level



Depending on the model and features, the specification of the appliance may differ from the standard specification described herein.

Operating the appliance

Operation

Switching the appliance on / Selecting the power level

- ▶ Pressing the >> button switches the appliance on at power level 1.
 - The indicator light **1** comes on.
- ▶ To select power levels 2 or 3, repeatedly press the >> button.
 - The indicator light shows which power level is currently being used.



We recommend switching the appliance on at power level 1 some 5 minutes before cooking. Use a low power level for normal cooking smells and a higher power level for very strong cooking fumes and smells.

Switching the appliance off





- ▶ Press the **0** button to switch the appliance off.



After you have finished cooking, allow the appliance to run for another 1.5 minutes so that the cooking fumes and smells can be extracted.

Intensive level

The intensive level can be selected irrespective of whether the appliance is switched on or off.

- ▶ Press the  button to switch the intensive level on for 5 minutes.
 - The indicator light  lights up.
 - If a different power level had been running beforehand, then the appliance will automatically revert to this after the 5 minutes has elapsed.
 - If the appliance had been switched on beforehand, then the appliance will automatically switch off after the 5 minutes has elapsed.
- ▶ Press the  or  button to stop the intensive level before the 5 minutes is up.

Illumination

- ▶ Press the **I** button to switch the illumination on.
- ▶ Press the **0** button to switch the illumination off.



The illumination can be used on its own.

Saturation indicator for grease filter

The indicator light **2/F** flashes after 40 operating hours. The saturation level is reached. The grease filter must be cleaned.

Care and maintenance

Cleaning the housing



Take care that no water gets into the housing of the appliance! If water gets into the housing, it can cause damage.



Do not use abrasive cleaners, scouring pads, steel wool etc. to clean the appliance as they can damage the surface.

Cleaning the outside / inside

- ▶ Clean the outside using a slightly damp cloth – and detergent if necessary – and wipe dry.

Grease and condensate water can build up around the grease filter on the inside.

- ▶ Clean using a slightly damp cloth – and detergent if necessary – and wipe dry.

Cleaning the grease filter

The grease filter must be cleaned at least once a month with normal use or whenever the indicator light **2 / F** flashes. If properly cared for, the grease filter should provide unlimited years of service.

- ▶ Clean the grease filter in the dishwasher.
- ▶ Select an «intensive» – or «heavy» – wash programme with a warm pre-wash.



Cleaning may cause the grease filter to become discoloured. However, this will not affect the functioning of the filter in any way.

If you do not have a dishwasher:

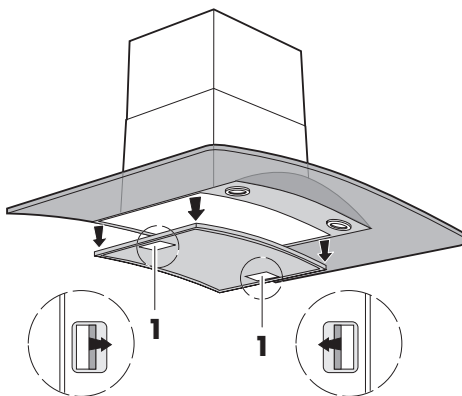
- ▶ Clean the grease filter in the sink with hot water and detergent.
- ▶ Then soak the filter in hot water in the sink for about 2 hours and finally clean with a washing-up brush.

Removing the grease filter

- ▶ Push both grips **1** inwards.
- ▶ Carefully pull the grease filter down and out of the fixture.



Take care not to damage the grease filter.



Replacing the grease filter

- ▶ Push both grips **1** inwards.
- ▶ Insert the grease filter into fixture and engage in position.
- ▶ Hold the **0** button depressed for at least 3 seconds.
 - An acoustic signal is emitted.
 - The **2 / F** indicator light goes out.

Replacing the halogen light



Remove screw fuse or switch off circuit breaker.

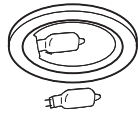
Halogen lights get hot during operation! Allow to cool down first.

- ▶ Unscrew the ring with the integrated glass.
- ▶ Replace the defective halogen light with a bulb of the same type (max. 20 watts).



Avoid touching the halogen light with bare hands. Use a soft, dry and grease-free cloth.

- ▶ Clean the ring and the glass.
- ▶ Screw the ring back in place.
- ▶ Put the screw fuse back in or switch the circuit breaker back on again.



Trouble-shooting

What to do if ...

... the illumination is not working

Possible cause	Solution
■ Fuse or circuit breaker for electrical installations in the home is faulty.	▶ Change the fuse. ▶ Reset the circuit breaker.
■ Interruption in the power supply.	▶ Check the power supply.
■ The halogen light is faulty.	▶ Change the halogen light.

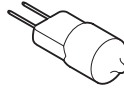
... the appliance is not extracting and cleaning the air satisfactorily

Possible cause	Solution
■ The grease filter is dirty.	▶ Clean the grease filter.

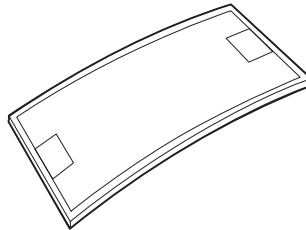
Accessories and spare parts

Please give model number and exact description when ordering parts.

Halogen light



Metal grease filter



The halogen light is also available from specialist retailers.

Technical data

Voltage / Frequency	230 V~ 50 Hz
Power consumption	
■ Extractor fan	160 W
■ Illumination	2 × 12 V / 20 W
Total connected load	200 W
Connection via mains cable with plug	Length 1.2 m

Disposal

Packaging

- All packaging materials (cardboard, plastic film (PE) and polystyrene (EPS)) are marked and should, if possible, be collected for recycling and disposed of in an environmentally friendly way.

Disconnection


- Disconnect the appliance from the mains. With a fixed appliance, this is to be carried out by a qualified electrician!

Safety

- Disable the appliance to prevent accidents caused by improper use, especially through children playing.
- Pull the plug out of the mains socket or have the appliance disconnected from the mains by a qualified electrician. Then cut off the mains cable.

Disposal

- The old appliance should not be discarded as worthless rubbish. If disposed of correctly, the raw materials can be recovered for recycling.

- The  symbol on the identification plate warns that the appliance may not be disposed of in normal household waste.
- The appliance must be disposed of in accordance with local regulations on waste disposal.

For more information on the handling, disposal and recycling of the product, please contact the local authorities, the local recycling facilities for household waste or the retailer from whom you purchased the appliance.

Index

A

Accessories	18
Appliance description	8

C

Care	13
Children in the home	5
Cleaning	13

D

Disconnection	20
Display elements	10
Disposal	20

E

Extraction model	8
------------------------	---

F

Features	8
----------------	---

G

Grease filter	
Cleaning	14
Metal grease filter	9
Saturation indicator	12

H

Halogen light	9, 16
---------------------	-------

I

Illumination	12
Intensive level	12

M

Maintenance	13
Malfunction	17
Metal grease filter	9
Saturation indicator	12

O

Operating elements	10
Operating panel	9
Operating the appliance	11

P

Packaging	20
Power level selection	11

Q

Quick instructions	24
--------------------------	----

R

Repair service	23
----------------------	----

S

Safety 20

Safety precautions

- Before using for the first time 4
- Children in the home 5
- Correct use 5
- Note on use 6

Saturation indicator 12

Spare parts 18

Switching off 11

Switching on 11

Symbols 2

T

Technical data 19

U

Using for the first time 4

Repair service



The 'Trouble-shooting' section will help you to carry out small repairs yourself, saving you the time and trouble of calling out a service engineer and the cost that goes along with it.

Whether you contact us for repairs or orders, please always state the serial number (FN) and the name of the appliance. Enter these details below and also on the service sticker which comes with the appliance. Stick it in a conspicuous place or in your telephone or address book.

SN

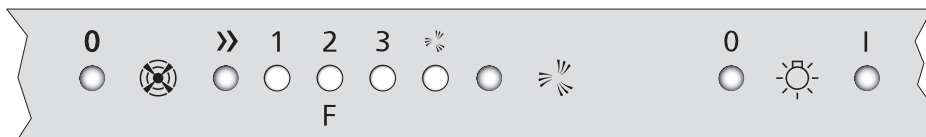
Appliance

You will also find the same details on the certificate of guarantee, the original sales invoice and the identification plate of the appliance.

- ▶ Remove metal grease filter.
 - The identification plate is located on the inside of the appliance.

Quick instructions

Please first read the safety precautions in these operating instructions!



Operation

- » Switch on / Power level
- 0 Switch off / Reset saturation indicator

Intensive level

Intensive level

Illumination

- I On
- 0 Off

V-ZUG Ltd

Industriestrasse 66, CH-6301 Zug
vzug@vzug.ch, www.vzug.com

J871.352-0