



**ZUG: Swiss power
of innovation in the
kitchen and laundry
room**



Explanation of symbols for standard appliances

Steaming, baking, cooking and coffee brewing

	Illumination
	Top/bottom heat
	Bottom heat (pivoting)
	Real hot air
	PizzaPlus
	Hot air humid
	Forced convection (top heat + bottom heat + fan)
	Large grill
	Small grill
	Grill-forced convection
	Food probe
	Soft roasting
	Electronic timer (with additional features depending on model)
	Plain text display
	Electronic Steam System (ESS)
	GourmetSteam
	Steam
	Regeneration
	Professional baking
	ZUG AromaControl
	Large cup
	Medium cup
	Small cup
	Hot water
	Ultra quiet

Front design

	Plate glass
	ChromeClass
	Colour: Nero
	Colour: White
	Fully integrated

Rinsing

	Rack height adjustable to 4 positions and multi-functional integrated glass supports
	Automatic programme (additional savings of up to 30%)
	«Sprint» programme
	Fondue/Raclette programme
	Quick wash/Glass care programme
	3-in-1 detergent option
	Hygiene programme
	15 hour delayed start
	Upper rack only
	Plain text display
	Ultra quiet
	Limescale sensor
	Soil sensor and water hardness control

Airing

	2-duct radial fans
	Number of motors/Watts
	Airflow volume in m³/h
	Static pressure in Pascal
	Number of halogen spotlights
	Electronic soft-touch operation
	Air vents: Ø ... mm with integrated non-return valve
	Air extraction
	Light with dimmer function

Washing

	Whites/Coloureds 20°C-95°C
	Sport 60°C
	Sport 40°C
	Wool 30°C
	Hand wash 20°C
	Easy care
	Pre-wash
	Anti-mite
	Steam anti-crease
	Delayed start
	Temperature setting/Energy economy
	Spin speed/Stop after rinsing
	Degree of soiling/Soaking
	Quick wash cycle/End of programme
	Door opener
	Plain text display
	Turbidity sensor

Drying

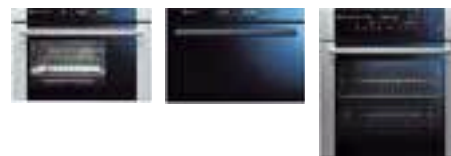
	Extra dry
	Standard dry
	Damp, ready to iron
	Damp
	Crease-guard programme
	Timed drying/Airing
	Delayed start
	Gentle
	End of programme

Contents

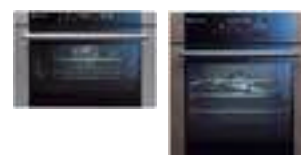
The company
4-7



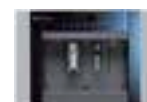
Steam ovens
8-14



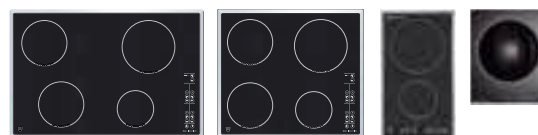
Ovens with built-in drawer system
15-17



Coffee Center
18-19



Induction hobs
20-21



Designer island and wall hoods
22-23



Dishwashers
24-27



Washing machines and tumble dryers
28-31



Product declarations
32-34

ZUG dishwashers setting on innovation



Top-performing dishwashers With everything you could wish for **Spot-free glasses and sparkling clean dishes**



ZUG's unrivalled four sensors guarantee unsurpassed gentle care, sparkling cleanliness and brilliant shine.

- 1 The limescale sensor** automatically balances out fluctuations in water hardness and so prevents limescale deposits on your dishes.
- 2 The water hardness control** softens the dishwater to the ideal hardness during the different phases. This increases the effectiveness of the detergent and guarantees optimum care of your glasses and dishes.
- 3 The pulse-controlled rinse agent sensor** ensures that only as much rinse is released as is necessary depending on the water hardness and the dishwasher's load. Thanks to automatic rinse agent dosing there is no need to make manual adjustments.
- 4 The soil sensor** sets a clear example for economy and ecology. It constantly measures the level of soiling in the water. It automatically adjusts the water, energy and time required during the washing process so that everything comes out sparkling clean with minimum consumption of valuable resources.



The fondue and raclette programme

A typically Swiss programme! Dishes with baked-on cheese come out spotlessly clean without having to soak them beforehand. Thanks to the active soaking phase, it also doubles as a «super intensive programme». Pre-rinsing and soaking baked-on casserole and gratin dishes are relegated to the past.

ZUG's hygiene programme cleans items where hygiene requirements are particularly high, e.g. cutting boards, baby bottles and pacifiers, thoroughly.



ZUG's variable racks ensure maximum load



Height of the upper rack is adjustable to four positions

The upper rack can be set in one of four different positions, for example, for tall glasses, using just one hand – even when full. ZUG's exclusive four height positions offer numerous possibilities when it comes to loading your dishwasher.

Maximum capacity



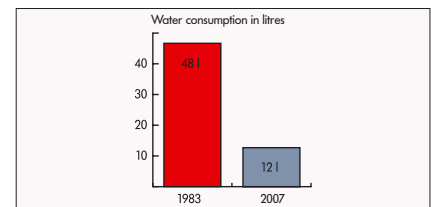
The extra-height dishwasher from ZUG

This jumbo-sized dishwasher has a tub that is 6.5 cm taller than standard dishwashers. It holds up to 33 cm diameter plates in the bottom rack and up to 27.5 cm tall glasses in the upper rack, providing almost unlimited possibilities for loading the dishwasher.

Saves up to 30 % more water, electricity and time compared to conventional dishwashers

As little water as necessary

All models use only 12 litres of water with the normal/standard programme, which is less than all other dishwashers. What a ZUG innovation! Back in 1983 they used as much as 48 litres!

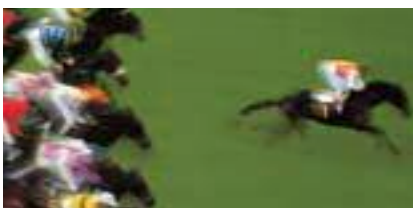


Other refinements – made in Switzerland



The automatic programme

«Tip and go»: The automatic programme senses what your dishes need, saving you up to 30 % on water, electricity and regeneration salt. The duration of the programme is also controlled automatically and lasts between 50 and 85 minutes.



Lengths ahead: ZUG has the fastest programmes

Because of comparable declaration programmes (AAA) in Switzerland that are based on the European norm EN50242, ZUG dishwashers can boast the fastest normal, quick and intensive wash programmes.



Clean in just 19 minutes

If you're short on time, for example if you are holding a party, the Adora SL's sprint programme produces sparklingly clean dishes in only 19 minutes.



Ultra quiet

Thanks to the super quiet cleaning system and multi-component sound insulation, ZUG dishwashers operate as soft as a whisper at 44 dB(A).

Adora dishwashers



Adora SL

The integrated dishwasher from ZUG

This dishwasher will captivate you with its timeless design, which can be adapted to your individual needs. The operating panel, available in nero, white or ChromeClass, is easy to operate from the front. Of course, it is possible to fit a bespoke front panel from a kitchen fitter.

Front design



Wash programmes and features



Automatic, 19 minute Sprint, Hygiene, Fondue/Radette, Intensive, Eco, Glass, Pre-rinse, Normal/Standard



- 12 place settings
- Variable cutlery basket
- Integrated glass supports
- Top and bottom racks with fold-down tines
- Easy prong extensions
- 3 active spray levels
- Automatic rinse agent
- Active drying system

Additional features

- 3-in-1 detergent option for all programmes
- Childproof lock
- Plain text display



Adora SL-Vi

The fully-integrated dishwasher from ZUG

This is integration in its purest form! The dishwasher is hidden behind the cabinet front. The operating panel, which is on the top edge of the dishwasher door, is only visible when the appliance is open.

Front design



Wash programmes and features



Automatic, 19 minute Sprint, Hygiene, Fondue/Radette, Intensive, Eco, Glass, Pre-rinse, Normal/Standard

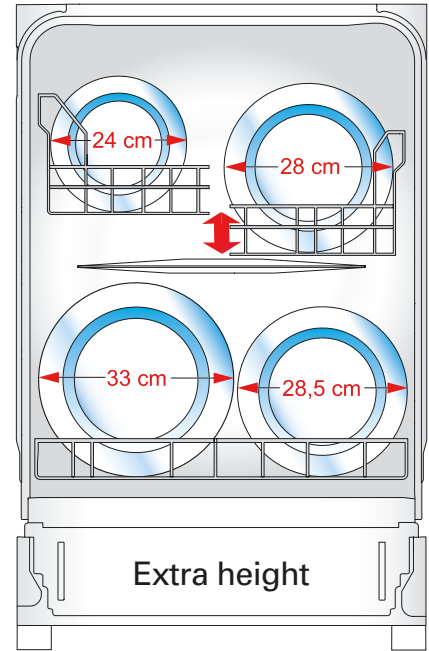


- 12 place settings
- Variable cutlery basket
- Integrated glass supports
- Top and bottom racks with fold-down tines
- Easy prong extensions
- 3 active spray levels
- Automatic rinse agent
- Acoustic prompting
- Active drying system

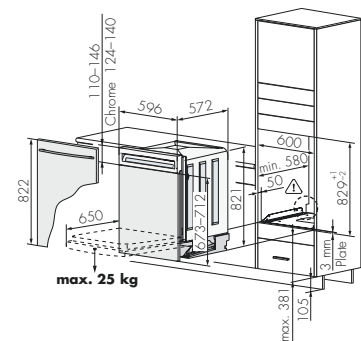
Additional features

- 3-in-1 detergent option for all programmes
- Childproof lock
- Plain text display

Big is beautiful



«Extra height» installation in tall unit



«Extra height» installation in base unit

