

Installation instructions

Washing machine
One-family household



1014123-R04

10/04/2018

For Service and Spare Part Information please contact: V-ZUG AUSTRALIA Pty. Ltd. Tel +61 7 3209 6822

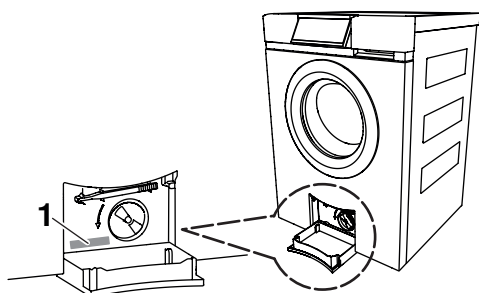


**The appliance should be installed by qualified personnel only.
Each step must be carried out and checked in full in the order specified.**

Validity

These installation instructions apply to the models: **L (11010), S (11011), SL (11012), SLQ (11013), SLQ WP (11014)**

Identification plate



- ▶ Open the drain tray below the appliance door (see «1. Opening the appliance door»)
 - Identification plate 1

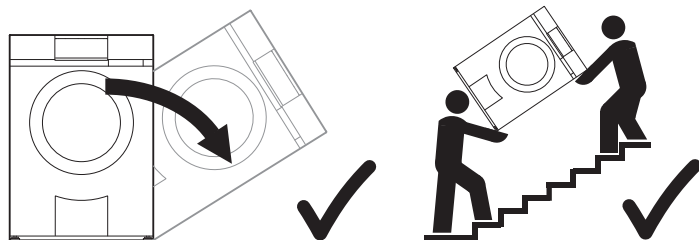
Transport



If the weight of the appliance is greater than your lifting capacity, the appliance must be transported by several people or using a transport aid. The weight of the appliance is given on the appliance packaging and in the operating instructions.



Transport the appliance in an upright position only! Transporting it in any other position will cause damage. When carried carefully without being shaken, the appliance may be tilted a maximum of 90° to the right (viewed from the front).



Applicable only to model SLQ WP:



In the event that the appliance is tilted during transportation or installation it must not be put into operation for 2 hours.

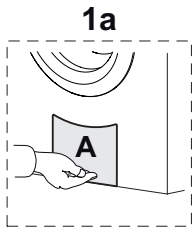
Installation accessories supplied

The necessary installation accessories are located in the washing drum and in the appliance packaging.

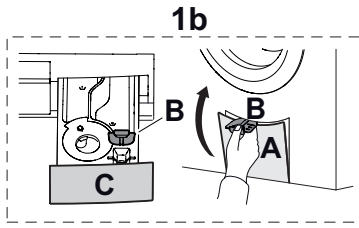
Designation	Article no.	Number	See installation step
Installation set, incl.: <ul style="list-style-type: none">▪ Rubber stopper▪ Screw material▪ External drain hose▪ Wire hose clamp▪ Hose support	W41152	1	
		2	2. Removing the transport lock
		1	4. Positioning the installation plate
		1	5. Plumbing in
		1	5. Plumbing in
		1	5. Plumbing in
Installation plate (incl. double-sided adhesive tape)	W40653	1	4. Positioning the installation plate



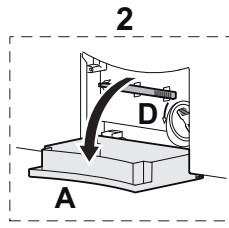
1. Opening the appliance door (without power)



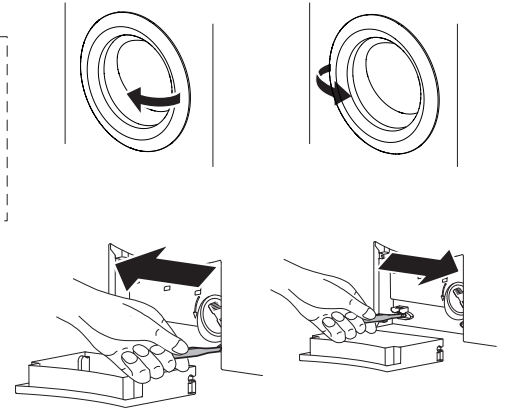
1a Open drain tray **A** by pressing it at the bottom.



Or 1b Remove liquid-detergent flap **B** from detergent dispenser drawer **C** and open drain tray **A**.



2 Fold drain tray **A** right down and remove it. Remove emergency door release tool **D** from bracket.

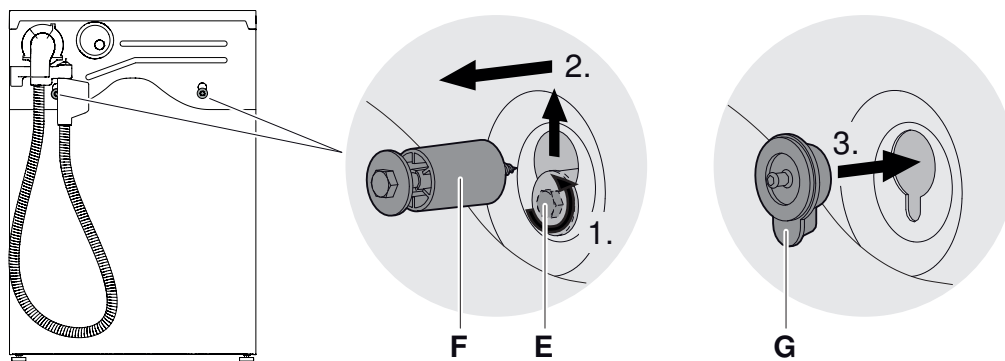


Insert tool **D** into blue eye of opening and pull in direction of arrow (arrow on appliance).

2. Removing the transportation lock



The transport locks **F** on the rear side have to be removed before using the appliance for the first time.



1. Remove the hexagon head screws **E** of the transport locks **F** using a 10 mm ring or open-end wrench.
2. Push up and pull out the transport lock **F**.
3. Plug the holes with the rubber stoppers **G**.



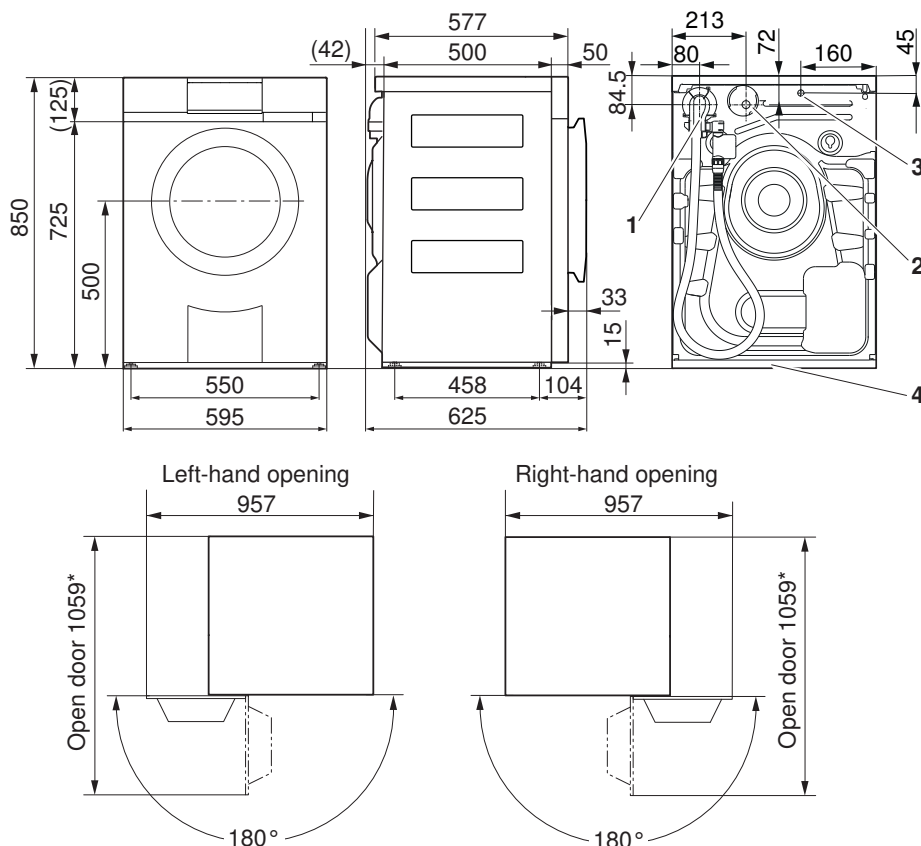
Failure to carry out step 3 can result in error messages.



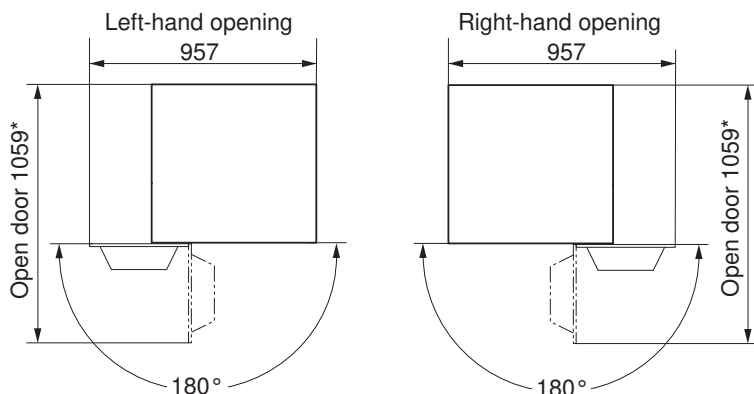
3. Dimensions

! The stated dimensions do not include distances from walls. To prevent disturbing noise and vibration the appliances must not come into contact with the surrounding walls of their installation location.

All models



- 1 Cold water connection, inlet hose with Aquastop, length: 1.25 m, G³/₄"
 - 2 Drainage hose connection with elbow. Length: 1.5 m
Pumping height for drain pump: 1.2 m
 - 3 Electrical connection cable outlet, length: 1.8 m
 - 4 Installation plate
- * In order that the detergent dispenser drawer can be used without obstruction and be taken out for cleaning, the clearance space must be observed across the entire front of the appliance.

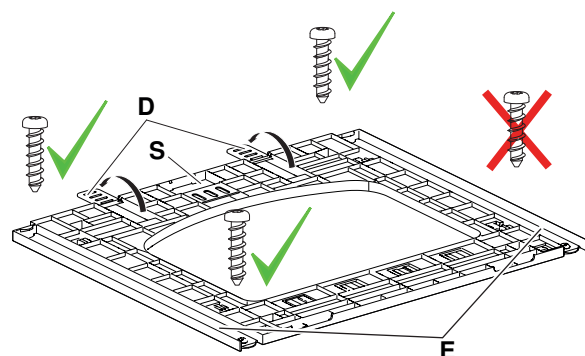


4. Positioning the installation plate

! Use the installation plate supplied to install the appliance. It fixes the appliance in position, and is for use with both free-standing appliances and appliances positioned in a niche.

The use of an unsuitable installation plate or a soft, sound-insulating underlay can affect the proper functioning of the appliance.

! Holes must not be drilled in the floor if the room has underfloor heating. The installation plate must be adhered to the floor.

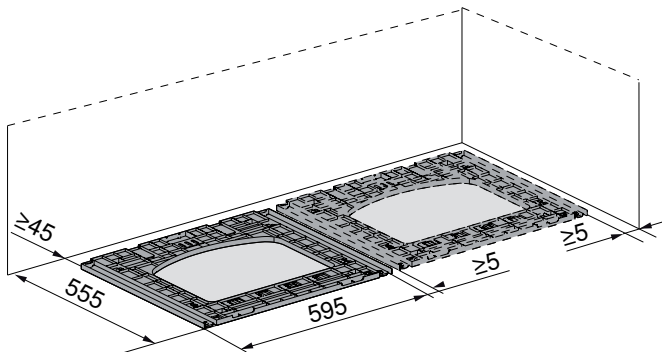


- ▶ In the location where the appliance is to be installed, fix the installation plate with 3 screws. In the case of underfloor heating, adhere the installation plate to the floor with double-sided adhesive tape **S**.
- ▶ Dampen the mounting slots **E** on the installation plate with water. This makes it easier to push the appliance in.



Free-standing position

 If a tumble dryer and a washing machine are positioned side by side, keep a distance of min. 5 mm between the installation plates and to the walls at the side and min. 45 mm to the back wall. The installation plates for the washing machine and tumble dryer are the same.



- ▶ In order to keep the distance to the wall, fold out the spacers **D** on the installation plate.

If an appliance with the V-ZUG-Home option is to be installed:

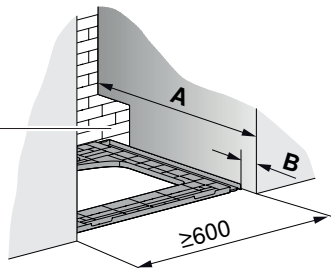
- ▶ Connect network cable to the appliance.

Dimensions 45 and 555 only apply if no plumbing fittings are to be installed behind the appliance.

Positioning in a niche

Cut-out for lateral connection, to the left or right $\geq 100 \times 100$ mm

Niche height ≥ 860 mm!



- ▶ Centre the installation plate in the niche.

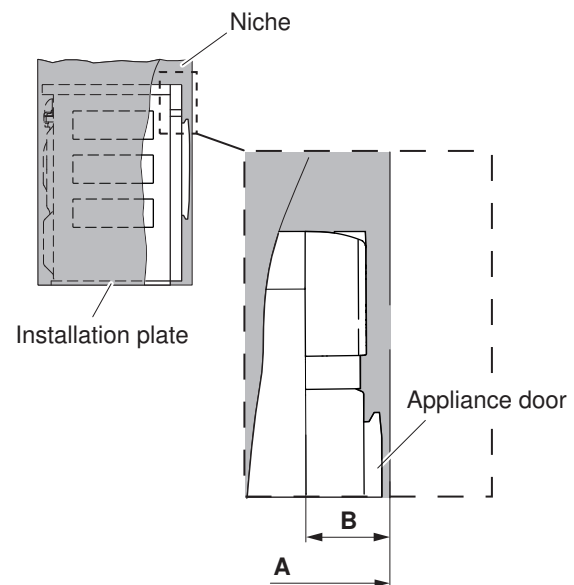
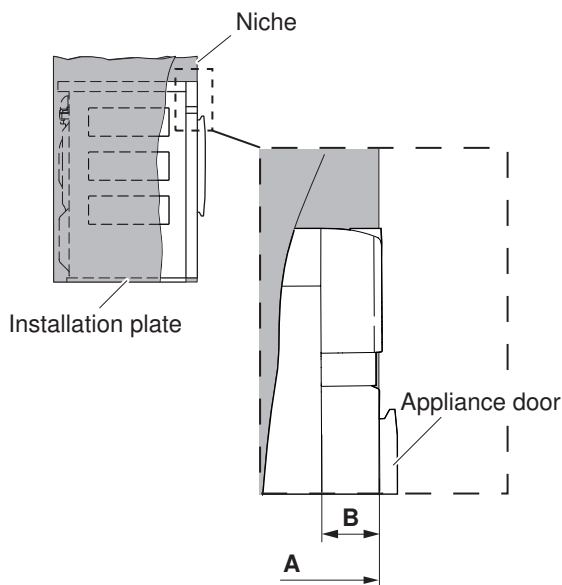
If a device is installed with the V-ZUG Home option:

- ▶ Connect the network cable to the device.

Variant	Positioning	Niche depth A	Installation offset for installation plate B
1	Appliance door projecting from niche front	≥ 605 mm	50 mm
2	Appliance door recessed behind niche front	≥ 645 mm	90 mm

Variant 1

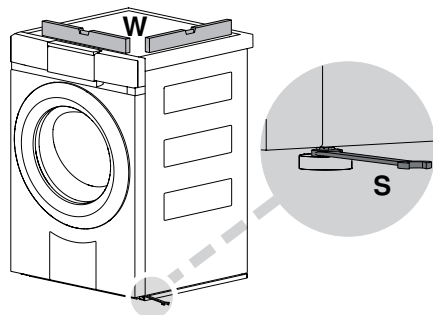
Variant 2





5. Levelling

! To ensure fault-free operation, the appliance must stand level with all 4 feet firmly on the installation plate and not wobble.



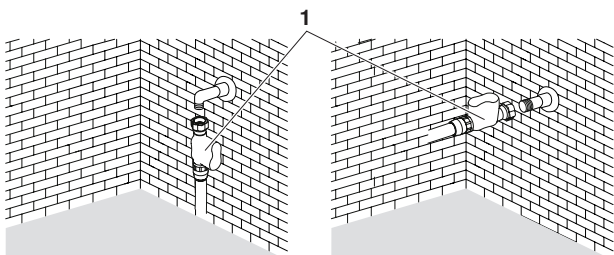
- ▶ Roughly adjust the height of the front and rear adjuster feet using socket wrench (size 10) **S**. Height adjustment: ≤ 14 mm (1.5 mm per turn)
- ▶ Use a spirit level **W** to level the appliance.
- ▶ Slide the appliance onto the installation plate.
- ▶ Finely adjust the height of the front adjuster feet using wrench **S**.
- ▶ Use a spirit level **W** to level the appliance.
 - The appliance must not wobble!

6. Plumbing in

! Local water authority regulations must be observed.
Any old water supply and drain hoses must always be replaced with new hoses.

Water inlet

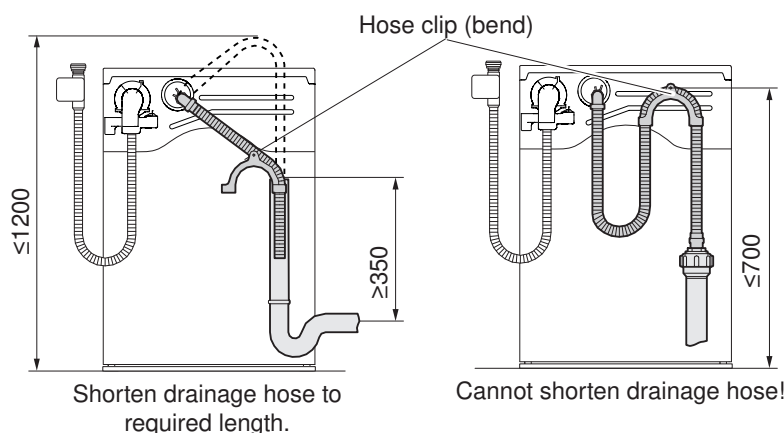
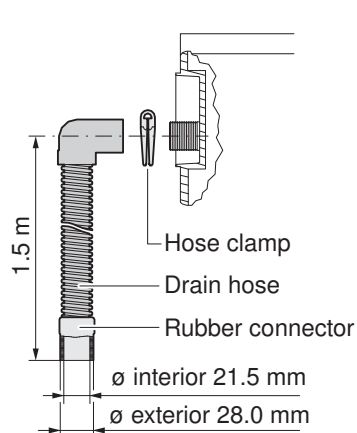
Preferred alignment for Aquastop valve block 1 (sound-optimized installation):



- ▶ Tap seal seat must be clean and flat.
- ▶ Install hose without kinking or twisting it.
- ▶ Check for leaks.

- Cold water only G $\frac{3}{4}$ inch.
- Possible pressure range: 0.1–1.0 MPa (1–10 bar).
- The appliance must not be connected to a mixer tap or a continuous flow boiler!

Water outlet



- ▶ When installing the drain hose, prevent it from becoming damaged or buckling (hot suds discharge).
- ▶ For all connection types, mount the hose support.
- ▶ If draining into the bath, sink, etc., use the hose support to fix the end of the hose.
- ▶ Pumping height of drain pump with open outlet is ≤ 1.2 m.



7. Electrical connections

Electrical connections

 **Electrical connections must be carried out by qualified personnel in accordance with the guidelines and standards for low-voltage installations and the specifications of the local electricity supply companies.**

A plug-in appliance may only be connected to a socket outlet with earthing contact, installed according to specifications. An all-pole mains isolating device with 3 mm contact opening should be provided in the house wiring system. Switches, plug and socket devices, circuit breakers and fusible cut-outs which are accessible after installation and which have all-poles switching are permissible as isolating devices. Effective earthing and separately installed neutral and earth conductors ensure safe and fault-free operation. After installation, live parts and cables with basic insulation must not be accessible. Check old installations.

- ▶ The appliance is designed for use up to a max. altitude of 2000 m above sea level.
- ▶ Refer to the identification plate for information on the required mains voltage, current type and fuse protection.

 **The mains plug must not be cut off.**

Connection cable

Valid for all washing machines and tumble dryers in the Adora model range.

 **The mains cable may only be replaced by the manufacturer, its Customer Services or a similarly qualified person.**

Error messages «U1»

 **Disconnect the appliance from the mains and control the wiring.**

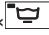








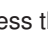



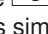


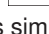


8. Using for the first time

Work steps which do not have to be taken are marked as follows: –

Perform stability check

Strong vibrations are deliberately produced during the stability check in order to check that the appliance is standing firmly on the ground.

Work steps	11010	11011, 11012	11013, 11014
▶ Prepare appliance.		▶ Insert plug into mains socket or turn on at wall switch. ▶ Remove drum contents, close appliance door.	
▶ Turn on water tap.			
▶ Select language.	–	▶ Press «  » to change language.	▶ Touch language.
▶ Confirm language.	–	▶ Press «OK».	▶ Touch «OK».
In the display appears:	–	«Stability check»	«Stability check»
▶ Start stability check.	▶ Depress the  ,  and  buttons simultaneously for 5 seconds.	▶ Press «OK».	▶ Touch «OK».
Stability check starts.	The spinning sequence is carried out.		
In the display appears:	–	«Creating unbalanced load, please wait...»	«Creating unbalanced load, please wait...»
After 2 minutes, in the display appears:		«Check stability»	«Check stability»
▶ Check stability.	▶ Realign adjuster feet if necessary. The appliance must stand level with all 4 feet firmly on the installation plate and not wobble. The user must carry out a visual and haptic assessment as the appliance cannot detect or display the set-up.		
▶ Complete initial set-up.	▶ Press the  button.	▶ Press the  button.	▶ Touch the  button.
In the display appears:	–	«Create unbalanced load finishing...»	«Create unbalanced load finishing...»
Spinning sequence is finished.	The appliance is drained.		
▶ Check stability.	▶ Realign adjuster feet if necessary.		
▶ Repeat stability check if necessary.	▶ Depress the  ,  and  buttons simultaneously for 5 seconds.	▶ Depress the  ,  and  buttons simultaneously for 5 seconds.	▶ Depress the  ,  and  buttons simultaneously for 5 seconds.
Stability check is finished.	The appliance is ready for operation.		
▶ Set time and date.	–	▶ Press any main programme button. ▶ Follow the instructions.	▶ Touch any button. ▶ Follow the instructions.