

Installation instructions

Induction glass ceramic hob
With normal mounting frame



J003.113-1

20.1.09 ITH



The appliance should be installed by qualified personnel only. Each step must be carried out and checked in full in the order specified.

Validity

These installation instructions apply to the model: **003** (GK46TIPSC)

General notes

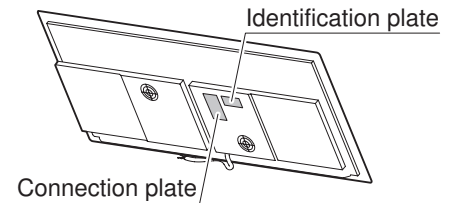


If fitting in flammable material, the guidelines and standards for low voltage installations and for the fire protection must be strictly observed.

Identification plate

The identification plate is next to the connection plate.

- ▶ Affix the second identification plate (enclosed) in an accessible position behind the front of the fitted cabinet beneath the appliance.



Accessories

Designation	Article no.
Ventilation protective plate set For niche width 825–900 mm	H6.2123

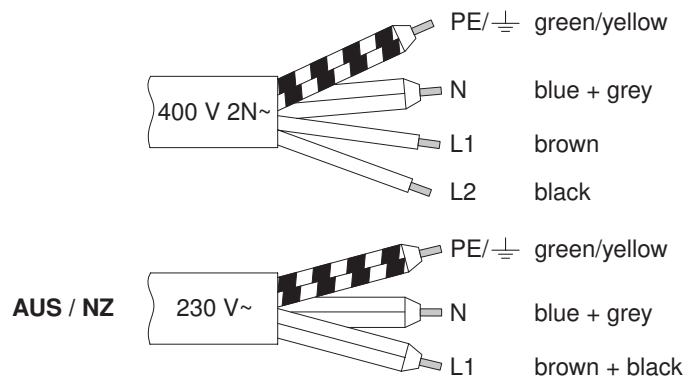
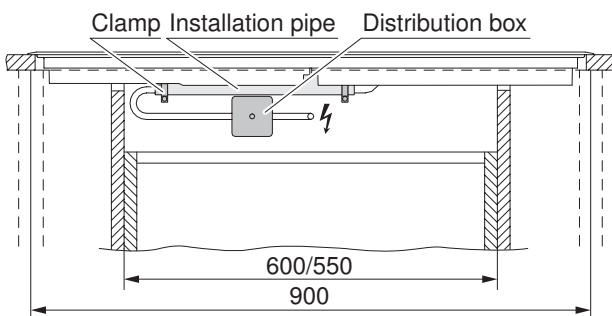
Electrical connections



Electrical connections must be carried out by trained electricians in accordance with the guidelines and standards for low voltage installations and the specifications of the local electricity supply companies.

A plug-in appliance may only be connected to a socket outlet with earthing contact, installed according to specifications. A mains isolating device with 3 mm contact opening should be provided in the house wiring system. Switches, plug and socket devices, circuit breakers and fusible cut-outs which are accessible after installation and which have all-poles switching are permissible as isolating devices. Effective earthing and separately installed neutral and earth conductors ensure safe and fault-free operation. After installation, live parts and cables with basic insulation must not be accessible. Old installations should always be checked.

- ▶ Information on the necessary mains voltage, type of current and fuse protection is to be obtained from the identification plate.
- ▶ The appliance is equipped with a mains cable that should be connected to a distribution box by the customer.
- ▶ If an oven is installed beneath the appliance, we recommend placing the distribution box behind the base. A cut-out can be made in the rear wall for the cables.



Error message U400



Incorrect connection:
A pole conductor was connected to the connecting terminal for neutral conductors.
Quickly disconnect the appliance from the mains!

Installation instructions

Induction glass ceramic hob
With normal mounting frame



J003.113-1

20.1.09 ITH

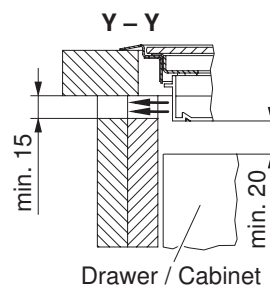
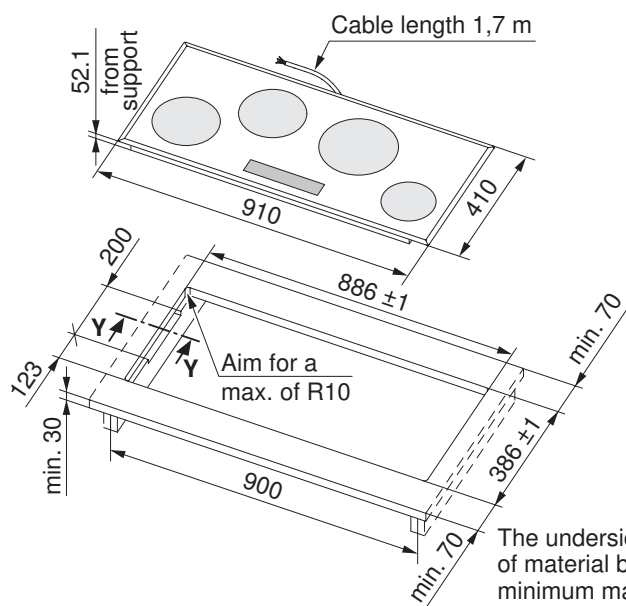
Installation

Indications

- The work surface has to be flat to ensure that the appliance is adequately sealed against liquids.
- In order to guarantee good ventilation, there needs to be a space of at least 2 cm height beneath the appliance.
- It is possible to install an oven in the short mounting forms 55-600, 60-600, 55-381 or 60-381 beneath the appliance if you use a ventilation grille set (oven accessories).
- A cabinet unit with a width of at least 900 mm is recommended for the base unit.

Installing

The layout of the cooking zones on the integrated hob may differ from the illustrated hob!



Drawer / Cabinet

Mounting cut-outs in side walls left/right for a niche width of 900 mm, necessary for the ventilation of the appliance.

The underside of the material between cut-outs front and rear is reinforced. The width of material between cut-outs is determined by the producer of the stone worktop. The minimum material width can vary according to the property of the stone.

1. Cut out mounting cut-out precisely.
2. Carefully place the appliance in the mounting cut-out and press against the work surface with sufficient overlap.

Installation instructions

Induction glass ceramic hob
With normal mounting frame

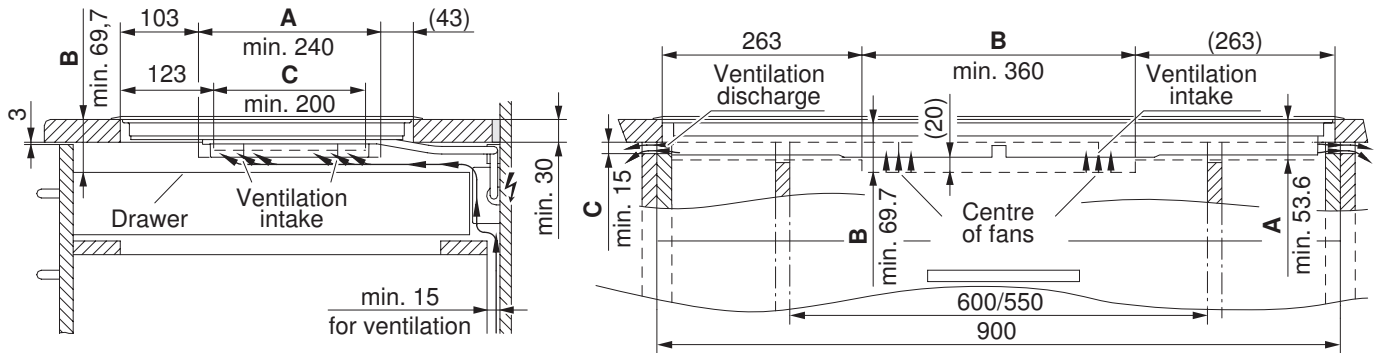


J003.113-1

20.1.09 ITH

Cool air supply if installed over a drawer or cabinet

In order to guarantee good ventilation, there needs to be a space of at least 2 cm height beneath the appliance.



- A** Necessary space below the work surface for the appliance, only for niche width 600/550 mm.
- B** Necessary space below the work surface for the ventilation of the appliance.
- C** Necessary ventilation cross-section in side walls left/right. Devices and cabinet components in the neighbour niches may not cover this ventilation cross-section.

With a protective plate beneath the ventilator

If necessary, a protective plate (see «Accessories») can be fitted above the drawer.

