

Installation instructions

Range hood DI-SMC12

Island hood

Operating mode: extracted air with comfort ventilation system



J016.113-0

11.2.09 ITH



The appliance should be installed by qualified personnel only. Each step must be carried out and checked in full in the order specified.

Validity

These installation instructions apply to the model: **016** (DI-SMC12, construction width 120 cm)

General notes



With the simultaneous operation of firing (e. g. wood, gas, oil or coal-fired heating systems), safe operation is only possible providing a room negative pressure of 4 Pa (0.04 mbar) is not exceeded at the location of the appliance. Risk of toxic fumes! An adequate flow of fresh air must be guaranteed, e. g. via non-closable openings in doors and windows and combined with ventilation wall bricks for incoming and exhaust air or by other technical means.



If the appliance is installed over hobs, each cooking zone must be fitted with an ignition fuse and the minimum distances (see section «Dimensions») must be adhered to.



Efficient repairs can only be guaranteed if it is possible to disconnect the appliance at any time without causing any damage.

Comfort ventilation appliance



This appliance may only be operated with a suitable ventilation unit made by the company Zehnder Comfosystems. Comfort ventilation appliances or external blowers made by other companies are not equipped with the required safety features.

Suitable comfort ventilation appliances of Zehnder Comfosystems: Comfoair 350, Comfoair 500 (technical modifications reserved). Follow the safety and installation instructions of the manufacturer.

Identification plate

► Remove grease filters. The identification plate is on the inside of the appliance.

Supplied installation accessories

All fixing elements are contained in the scope of delivery.

Electrical connections



Electrical connections must be carried out by trained electricians in accordance with the guidelines and standards for low voltage installations and the specifications of the local electricity supply companies.

A plug-in appliance may only be connected to a socket outlet with earthing contact, installed according to specifications. A mains isolating device with 3 mm contact opening should be provided in the house wiring system. Switches, plug and socket devices, circuit breakers and fusible cut-outs which are accessible after installation and which have all-poles switching are permissible as isolating devices. Effective earthing and separately installed neutral and earth conductors ensure safe and fault-free operation. After installation, live parts and cables with basic insulation must not be accessible. Old installations should always be checked.

► Information on the necessary mains voltage, type of current and fuse protection is to be obtained from the identification plate.



When using the insert box of the Zehnder Comfosystems company, follow the accompanying installation instructions.

Installation instructions

Range hood DI-SMC12

Island hood

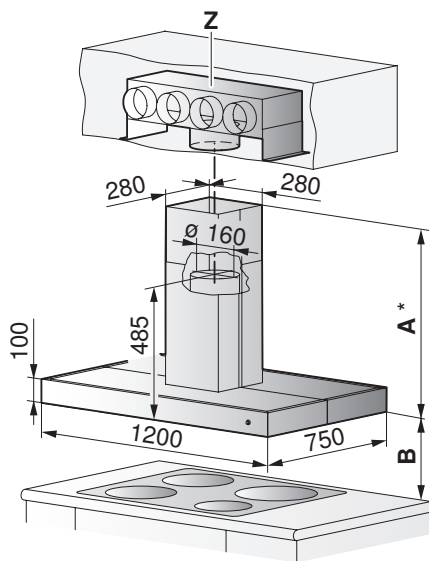
Operating mode: extracted air with comfort ventilation system



J016.113-0

11.2.09 ITH

Dimensions



The positioning of the Zehnder insert box **Z** in the ceiling must be planned and coordinated in relation to the hob.

Max. positional deviation: ± 1 cm (in all directions)

* Grid interval: 10 mm

Telescopic casing

(available in various heights)

Height **A**: ► see planning documents for kitchen appliances

Distance above hob

Minimum height **B**:

For electric hob: min. 600 mm

For gas hob: min. 750 mm

Installation

Indications

- Planning features for non-destructive de-installation and maintenance of the appliance:
 - Do not route telescopic casing in suspended ceilings.
 - Avoid silicon joints between the telescopic casing and the appliance.
 - All plastering, plasterboarding, wall papering or painting work is to be carried out prior to the appliance installation.
- This unit must be fastened directly under the Zehnder insert box, which must be precisely attached to the ceiling beforehand. The supply air connection from the Zehnder insert box must be freely accessible. Follow the safety and installation instructions of the manufacturer.

Installation instructions

Range hood DI-SMC12

Island hood

Operating mode: extracted air with comfort ventilation system



J016.113-0

11.2.09 ITH

Installation

1. Affix drilling template **C** to the ceiling, aligned with the inlet air connectors of the Zehnder insert box, drill 6 holes (\varnothing 10 mm) and insert plugs.
2. Fasten the exhaust air hose **D** (min. \varnothing 160 mm) to the supply air connection.
3. Set the carrier supports **T1**, **T2** to the appropriate length (grid distance: 10 mm) and fasten securely with 8 screws **S1** (\varnothing 4 × 8 mm).
4. Fix carrier supports to the ceiling with 6 screws **S2** (\varnothing 6 × 70 mm).
5. Equip upper lagging sheets **V1**, **V2** with castellated nuts **M**. Screw both halves together with the spring **F** and screw **S3** (M4 × 7 mm). Slide from bottom onto carrier supports.
6. Screw in 4 screws **S4** (\varnothing 4 × 8 mm) at the bottom to carrier support **T2**. Hang the hood **H** in the key holes.
7. Remove grease filters.
8. Tighten the screws **S4** and additionally secure hood with 4 screws **S5** (\varnothing 4 × 8 mm) from below and with 2 screws **S6** (\varnothing 4 × 8 mm) from above.
9. Establish plug connection **G**.
10. Establish electrical connection (see section «Electrical connections»).
11. Temperature sensor **K** is included with the comfort ventilation system and can be installed on the housing as illustrated. For this pay attention to the installation instructions for the comfort ventilation system.
12. Fix exhaust air hose **D** to the exhaust air connector. Ensure hose is free from kinks and is stretched.
13. Fix upper lagging sheets **V1**, **V2** with 2 screws **S7** (\varnothing 3 × 9 mm).
14. Equip lower lagging sheet **V4** with castellated nuts **M** and push from rear onto carrier support **T2**. Attach the lower lagging sheet **V3** from the front and screw both halves together with the spring **F** and screw **S3** (M4 × 7 mm).
15. Install lower cover strips **U2**. Cut upper cover strips **U1** to adequate length and install them.
16. Replace grease filters.

