

Installation instructions

Integrated dishwasher
with adjustable plinth
Extra height, width 60 cm



J196.145-1

16.6.08 ITH



The appliance should be installed by qualified personnel only. Each step must be carried out and checked in full in the order specified.

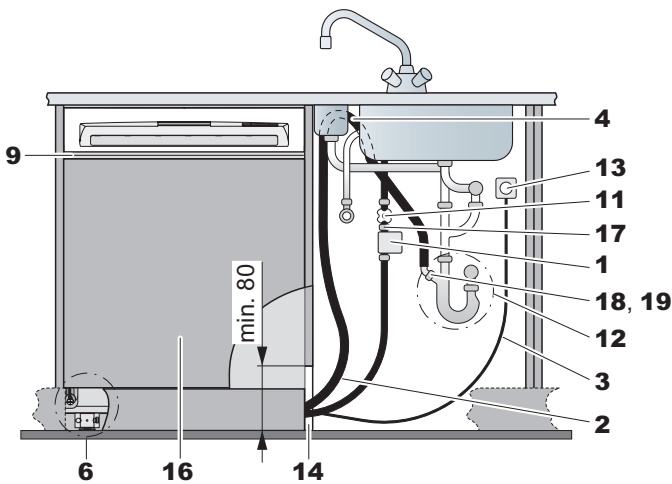
Validity

These installation instructions apply to the model: **196**

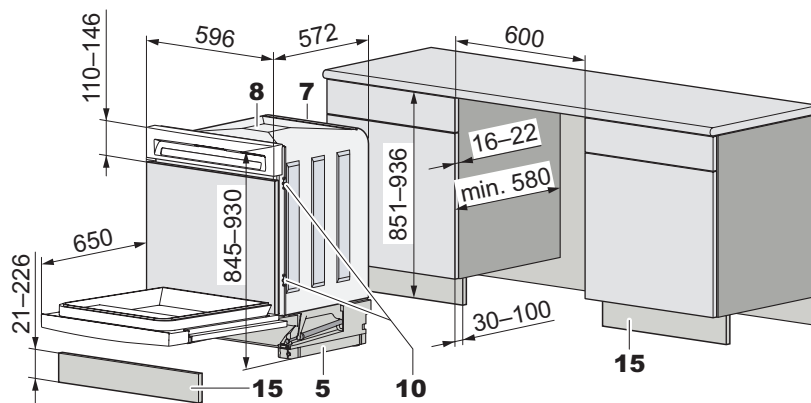
Accessories

Designation	Remarks
Decor system 60 cm For normal height of 632 mm, Nero or White	Available from supplier

Construction & Dimensions



- 1** Aqua-Stop/inlet pipe
- 2** Drain hose
- 3** Mains cable
- 4** Hose fixture
- 5** Adjustable plinth
- 6** Door counterweight
- 7** Handle
- 8** Top of appliance
- 9** Compensator (exchangeable)
- 10** Side fastener



The customer has to provide:

- 11** Water tap
- 12** Drain tap connection
- 13** Power socket (see «Electrical connections»)
- 14** Recess for connecting leads min. 40 × 80 mm
- 15** Plinth
- 16** Front panel/decorsystem*
- 17** Flow regulator (integrated)
- 18** Blind cap (remove)
- 19** Non-return valve (remove)

* The maximum permissible weight of the front panel/decorsystem **16** is dependent upon the model variant:

integrated Nero, White	integrated ChromeClass	fully integrated
6.5 kg	5.5 kg	7 kg

Installation instructions

Integrated dishwasher
with adjustable plinth
Extra height, width 60 cm



J196.145-1

16.6.08 ITH

Electrical connections



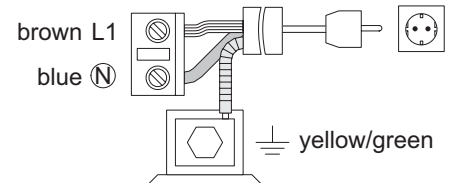
Electrical connections must be carried out by trained electricians in accordance with the guidelines and standards for low voltage installations and the specifications of the local electricity supply companies.

A plug-in appliance may only be connected to a socket outlet with earthing contact, installed according to specifications. A mains isolating device with 3 mm contact opening should be provided in the house wiring system. Switches, plug and socket devices, circuit breakers and fusible cut-outs which are accessible after installation and which have all-poles switching are permissible as isolating devices. Effective earthing and separately installed neutral and earth conductors ensure safe and fault-free operation. After installation, live parts and cables with basic insulation must not be accessible. Old installations should always be checked.

- Information on the necessary mains voltage, type of current and fuse protection is to be obtained from the identification plate.

Cold or hot water connection

- Place the power socket in the next compartment so that it is accessible.
- Power socket with connected neutral and earth conductors.



Plumbing in

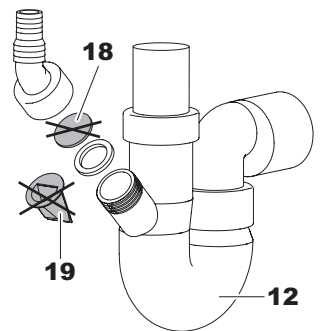


Always observe the local water supply authority's regulations.

Any old water supply and drain pipes must always be replaced with new hoses.

Outlet pipe

1. Remove Geberit blind cap **18** and non-return valve **19** in the customer's drain trap **12**.
2. Clean drain trap.
3. Fasten Aqua-Stop **1** and drain hose **2** with cable ties on the left or right of the base.
4. Lay the drain hose without any kinks and connect to the drain trap.
5. Attach the drain hose to hose fixture **4** as high as possible (from assembly kit).



Inlet pipe

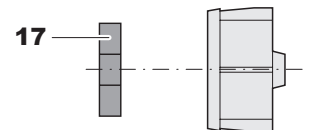
1. Clean the sealing surface of the water tap.
2. Connect Aqua-Stop **1** to the water tap and tighten with pipe pliers.
3. Check the seal.

Water inlet



If the water pressure is less than 0.1 MPa (1 bar), you need to remove the flow regulator **17** from the appliance connection supports using pointed pliers. To do this, unscrew Aqua-Stop **1**.

- Cold or hot water (max. 60 °C).
- Working pressure 0.1–0.6 MPa (1–6 bar).
- Inlet pipe, Aqua-Stop 1.5 m with G³/₄" cap nut.



Water outlet



Only Customer Services may make extensions to inlet pipe **1** and drain pipe **2** or to mains cable **3**.

- Hose 1.6 m, interior \varnothing 22 mm

Installation instructions

Integrated dishwasher
with adjustable plinth
Extra height, width 60 cm



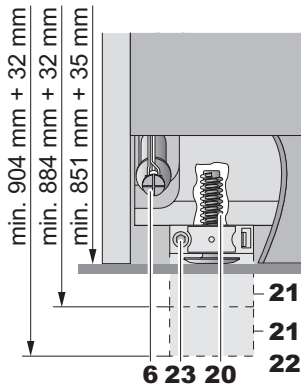
J196.145-1

16.6.08 ITH

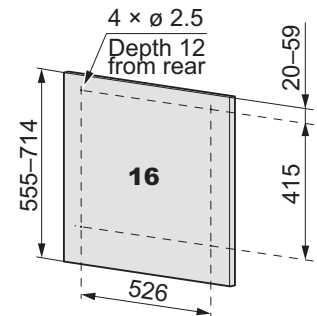
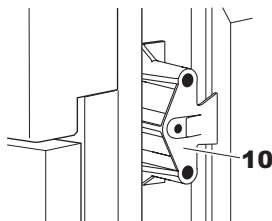
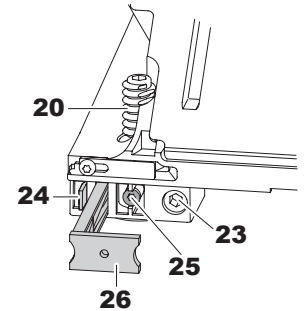
Installation

Indications

- Do not tip the appliance over.
- Do not lift the appliance by the fascia panel. A handle **7** on the top at the back of the appliance makes it easier to lift.
- Wear gloves when moving the appliance after its packaging has been removed. Sharp edges can cause injury.
- Do not press down onto the top of the appliance **8**.



1. Prepare the water and electrical connections in the next compartment.
2. Adjust the appliance to the height of the niche by adjusting the screws **20** and **23** resp. using plinth runners **21** and additional elements **22**.
3. Attach cables and hoses to the left or right using cable ties (see sticker on the top of the appliance **8**).
4. Slide the appliance into the niche (see sticker on the top of the appliance **8**) and pull the cables and hoses through to the next compartment. Do not kink or pinch these.
5. Use screws **20** and **23** to precisely level the appliance. Screw **23** is used to adjust the rear appliance mounts.
6. Pull out the plinth cover mounting **26**. Screw in locking screw **25** as far as the stop. Press spring catch **24** to the left and introduce plinth cover mounting **26**.
7. Align the appliance with the cabinet front, paying attention to the thickness of the front panel (16–22 mm).
8. Align and secure the tub using side fastener **10**.
9. Connect the water and electricity.
10. Carry out a function check.
11. Drill front panel/decor system **16** as per the drill template W7.7726 or the adjacent drawing and attach to the appliance door using 4 screws.
12. Check the appliance's alignment; the decor should not touch.

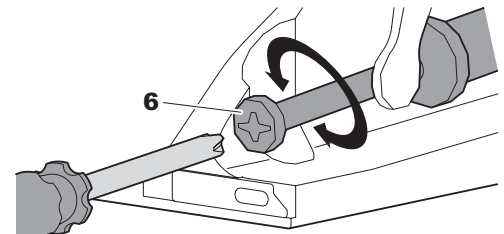


Front panel piece (to be prepared by customer)

596 mm × 555–714 mm × 16–22 mm

Set the door counterweight

- ▶ Set door counterweight **6** by uniformly tightening/loosening the right and left tension springs.



Function control / Operating for the first time

To check the functions the first time the appliance is operated, follow the information in the operating instructions.

1. Empty the appliance.
2. Start the programme (without dishes) as per the operating instructions.
3. Observe the correct programme sequence:

Initial rinsing	approx. 4 minutes
Filling	approx. 1½ minutes
Rinsing	approx. 3½ minutes
Regeneration	approx. 3 minutes

 - The programme finishes after approx. 12 minutes. The indicator light flashes.
4. If the appliance indicates a fault, eliminate the error as set out in the operating instructions.
5. If an error message appears (2 flashing indicator lights or if is shown in the digital display), check the outlet (drain trap blocked, hoses kinked, remove blind cap **18** and non-return valve **19**).