

Installation instructions

Washing machine «Front loader»
One-family household



J257.112-2

17.6.08 ITH



The appliance should be installed by qualified personnel only. Each step must be carried out and checked in full in the order specified.

Validity

These installation instructions apply to the model: **257**

Installation accessories included

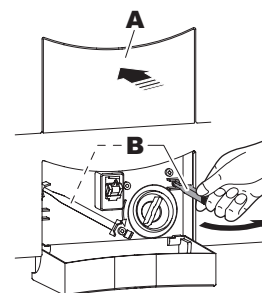
The necessary installation material is located in the drum of the washing machine.

Before operating for the first time

Open the appliance door

The appliance is not yet connected to the mains supply.

1. Open drain tank **A** by pressing on it.
2. Remove emergency release tool **B** from its bracket.
3. Insert the tool into the opening cap and pull it in the direction of the arrow.

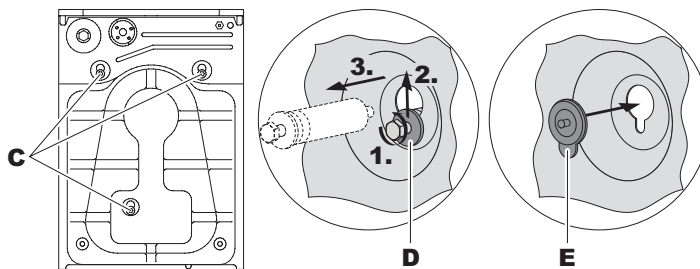


Remove the transportation locks



The transportation locks **C** have to be removed before the appliance is put into operation for the first time.

1. Remove the 3 screws **D** with the red washers and sleeves on the rear side of the appliance.
2. Close the keyholes with rubber plugs **E**.

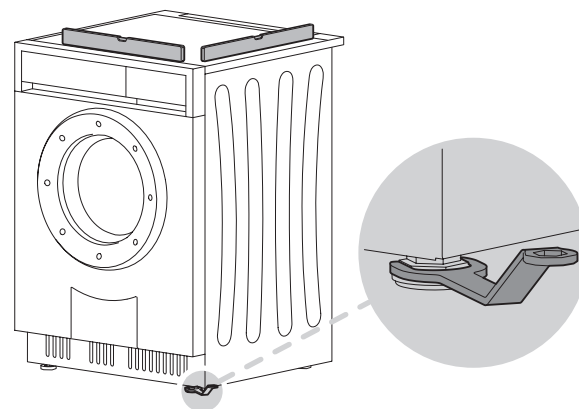


Installation



Use the installation plate to install the appliance. This plate fixes the appliance in position (for both free-standing appliances and appliances placed in a niche).

1. Raise the appliance slightly at the front and pull it forward, away from the installation plate.
2. Secure the installation plate to the location you wish to install the appliance using 4 screws. On smooth and clean floors, you can affix the installation plate with the enclosed double-sided adhesive tape.
3. Dampen the mounting slots on the installation plate with water.
4. Position the appliance approximately on the rear adjuster feet (spanner supplied).
5. To ensure smooth, fault-free operation, the appliance must be perfectly vertical. Use a spirit level to position the appliance.
6. Slide the appliance into position and finely adjust the front adjuster feet until the appliance is stable. The appliance must not wobble.



Installation instructions

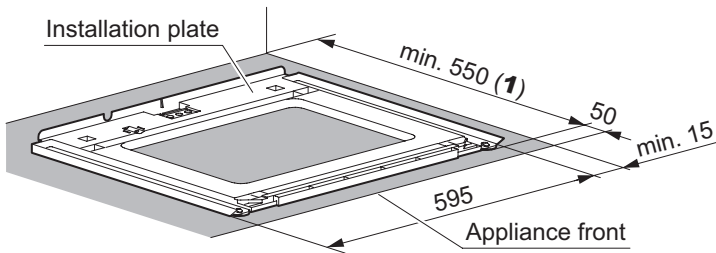
Washing machine «Front loader»
One-family household



J257.112-2

17.6.08 ITH

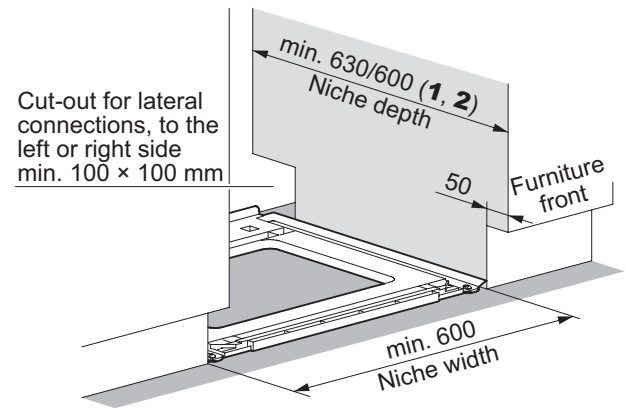
Free-standing position



- 1 This only applies if no plumbing fittings are to be installed behind the appliance.
- 2 Depth including appliance door: min. 630 mm
Depth without appliance door: min. 600 mm

Positioning in niche

Niche height min. 860 mm



Plumbing in



Always observe the local water supply authority's regulations.

Any old water supply and drain hoses must always be replaced with new hoses.

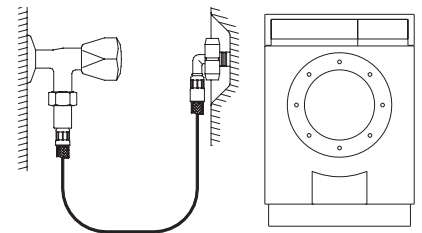
Water inlet

Only cold water G $\frac{3}{4}$ ", optimal working pressure 0.3 MPa (3 bar)

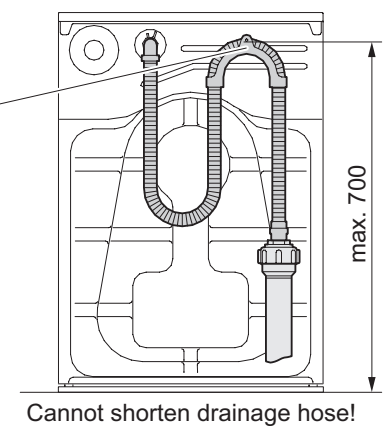
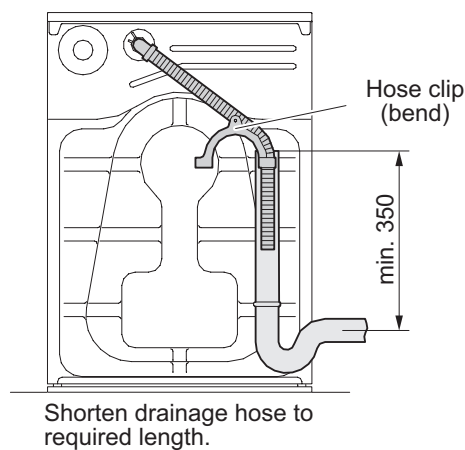
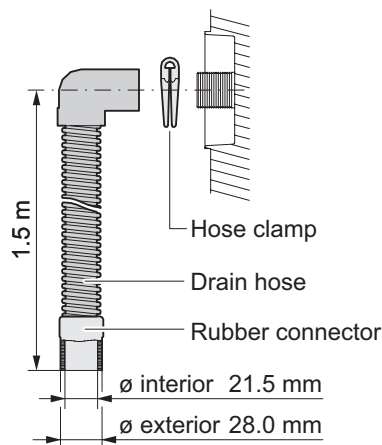
Possible pressure range: 0.1–0.6 MPa (1–6 bar)

The appliance must not be connected to a mixer tap or a continuous flow boiler!

- ▶ The tap seal seat must be clean and flat.
- ▶ Install the hose without bending or twisting it.
- ▶ Check the seal.



Water outlet



- ▶ When installing the drain hose, protect it against damage and bending (hot suds will flow through it).
- ▶ Assemble the hose clip for all connection variants.
- ▶ If draining into the bath tub, sink etc. use the bend (hose clip) to fix the end of the hose.
- ▶ The drain pump can pump to a max. height of 1.2 m.

Installation instructions

Washing machine «Front loader»
One-family household



J257.112-2

17.6.08 ITH

Electrical connections

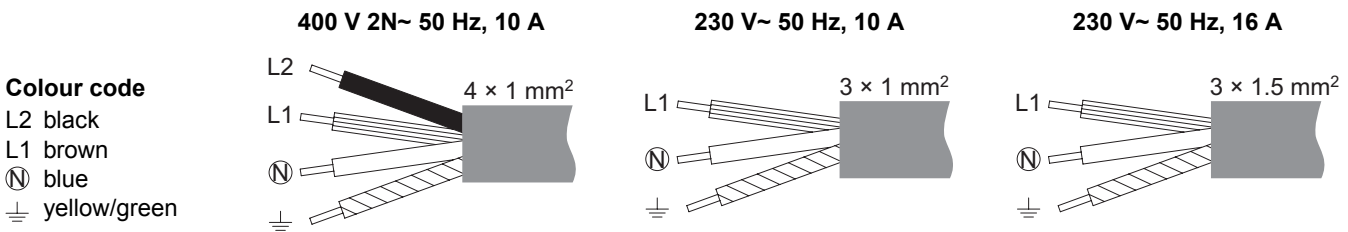


Electrical connections must be carried out by trained electricians in accordance with the guidelines and standards for low voltage installations and the specifications of the local electricity supply companies.

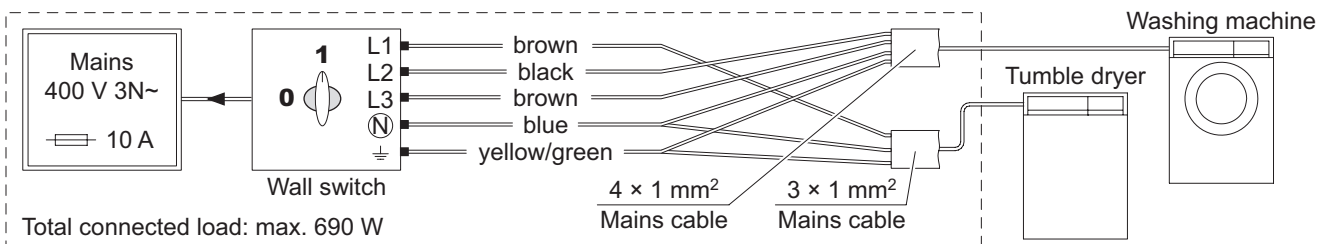
A plug-in appliance may only be connected to a socket outlet with earthing contact, installed according to specifications. A mains isolating device with 3 mm contact opening should be provided in the house wiring system. Switches, plug and socket devices, circuit breakers and fusible cut-outs which are accessible after installation and which have all-poles switching are permissible as isolating devices. Effective earthing and separately installed neutral and earth conductors ensure safe and fault-free operation. After installation, live parts and cables with basic insulation must not be accessible. Old installations should always be checked.

► Information on the necessary mains voltage, type of current and fuse protection is to be obtained from the identification plate.

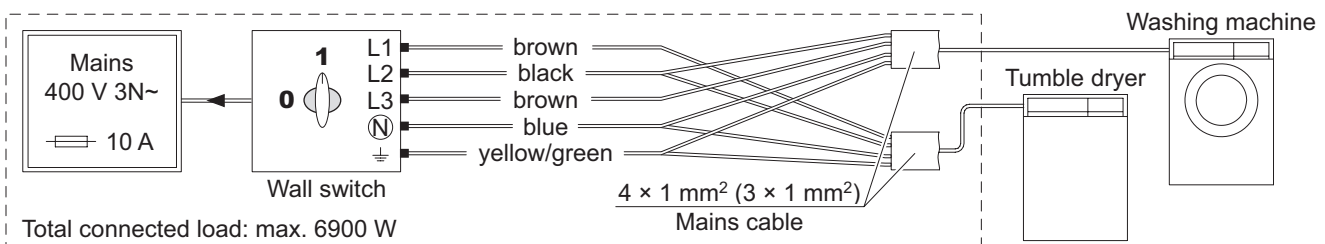
Connection cable



Combined connection with tumble dryer 296



Combined connection with tumble dryer 283, 284, 285, 286



Function control / Operating for the first time

1. Empty the washing drum.
2. Operate as explained in the «Washing» section of the operating instructions.
3. Place a wet piece of washing, such as a large towel, in the washing drum.
4. Select the programme and wait for water to flow into the appliance.
5. Press the button repeatedly until **Spinning** appears on the plain text display.
6. Press the button repeatedly until **Spinning at 400** appears on the plain text display.
7. Check water discharge and spinning.
8. During spinning, check that the appliance is firmly positioned. Readjust the adjuster feet until the device is stable.