

Installation instructions

Condenser tumble dryer
One-family household



J284.114-2

24.6.08 ITH



The appliance should be installed by qualified personnel only. Each step must be carried out and checked in full in the order specified.

Validity

These installation instructions apply to the models: **284, 286**

Electrical connections

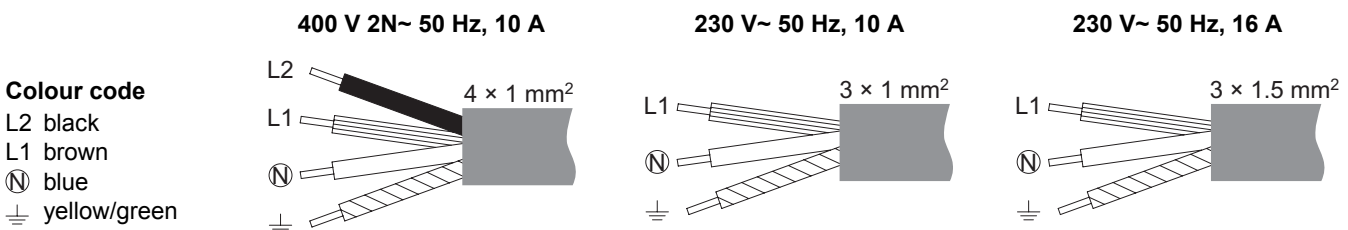


Electrical connections must be carried out by trained electricians in accordance with the guidelines and standards for low voltage installations and the specifications of the local electricity supply companies.

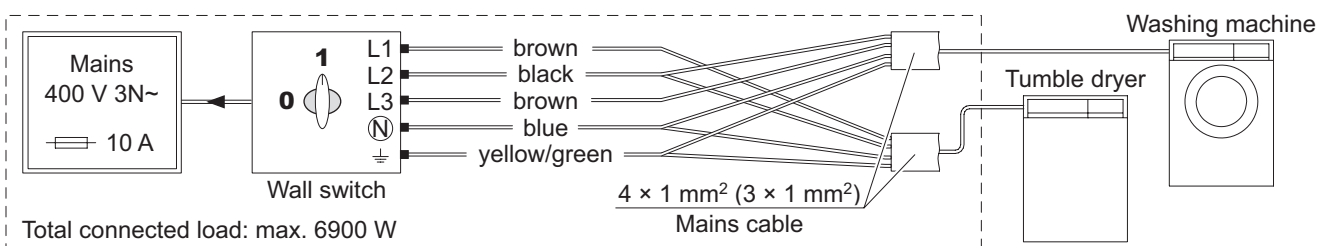
A plug-in appliance may only be connected to a socket outlet with earthing contact, installed according to specifications. A mains isolating device with 3 mm contact opening should be provided in the house wiring system. Switches, plug and socket devices, circuit breakers and fusible cut-outs which are accessible after installation and which have all-poles switching are permissible as isolating devices. Effective earthing and separately installed neutral and earth conductors ensure safe and fault-free operation. After installation, live parts and cables with basic insulation must not be accessible. Old installations should always be checked.

► Information on the necessary mains voltage, type of current and fuse protection is to be obtained from the identification plate.

Connection cable



Combined connection with washing machine 250–258, 267



Room conditions / ventilation



Do not obstruct the appliance's ventilation slits to ensure that there is an ample supply of air.

The room must be well ventilated to ensure that the room temperature does not exceed 30 °C.

Openings of min. 400 cm²:
to the washing room: Open window. Ventilation grille or slits in the door or a ventilation system.
to the fitted niche: Opening to the next compartment or ventilation grille.

Small enclosed storage rooms, bathrooms, WCs, showers etc. with no ventilation are not suitable locations for this tumble dryer.

Installation instructions

Condenser tumble dryer
One-family household



J284.114-2

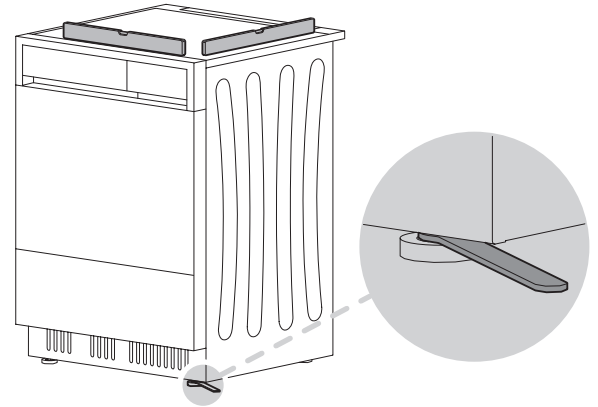
24.6.08 ITH

Installation



Use the installation plate to install the appliance. This plate fixes the appliance in position (for both free-standing appliances and appliances placed in a niche).

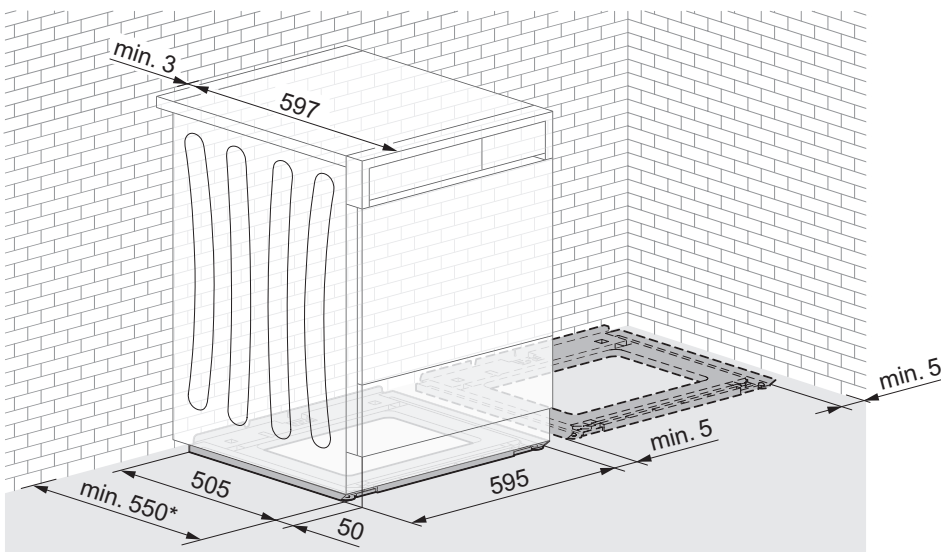
1. Raise the appliance slightly at the front and pull it forward, away from the installation plate.
2. Secure the installation plate to the location you wish to install the appliance using 4 screws. On smooth and clean floors, affix the installation plate with the enclosed double-sided adhesive tape.
3. Dampen the mounting slots on the installation plate with water.
4. To ensure smooth, fault-free operation, the appliance must be perfectly vertical. Use a spirit level to position the appliance.
5. Slide the appliance into position and finely adjust the front adjuster feet until the appliance is stable. The appliance must not wobble.



Free-standing position



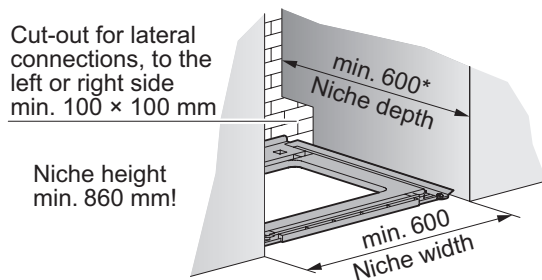
If a tumble dryer and a washing machine are positioned side by side, keep a distance of min. 5 mm between installation plates and min. 3 mm to walls.



Positioning in niche

- Center the installation plate in the niche.

Cut-out for lateral connections, to the left or right side
min. 100 × 100 mm



* This only applies if no plumbing fittings are to be installed behind the appliance.

Installation instructions

Condenser tumble dryer
One-family household



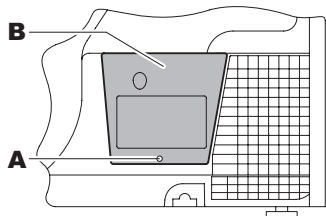
J284.114-2

24.6.08 ITH

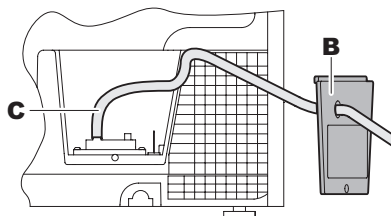
Condensate drain



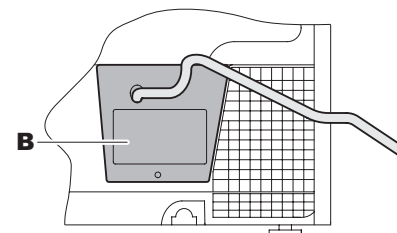
When installing the drainage hose, protect it against damage and bending! For that, use a hose clip 8.086.8039.



- ▶ Unscrew screw **A**.
- ▶ Remove cover **B**.

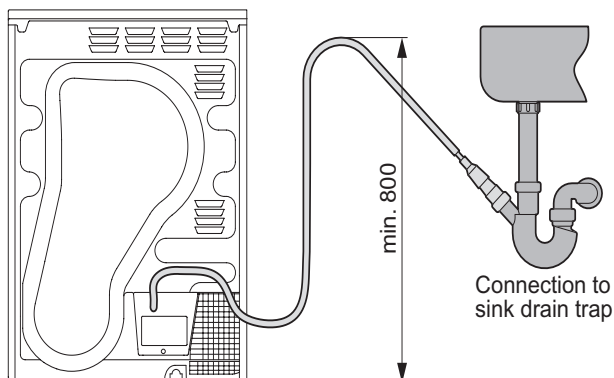


- ▶ Push the supplied drainage hose **C** (2 m) through the hole in the cover **B**.
- ▶ Push on to the pump connection piece and secure with a hose clip.

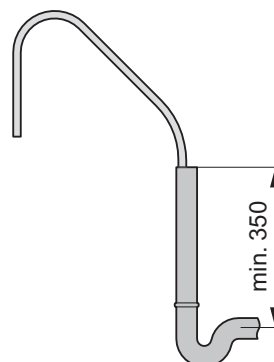


- ▶ Replace cover **B**.

The max. pumping height of the pump is 1.2 m

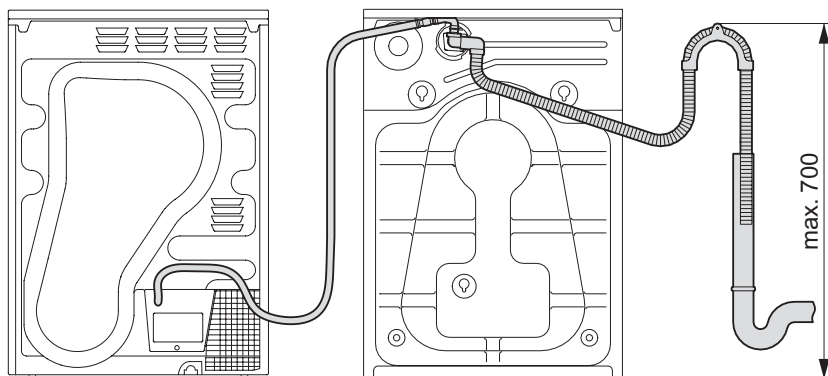


Drain into fixed upright outflow pipe



- Cannot be connected to a double drain trap.
- There must be a separate concealed drain trap for each appliance.


Washer-dryer combination with W5.4917 combi drainage set



Washer-dryer tower

The pronto-combi connection can be used (installation set W5.0040).

Function control / operating for the first time

- ▶ Operate (with no load) as explained in the operating instructions.
- ▶ Select the  programme, 20 minutes.