

Installation instructions

Heat pump dryer
One-family household



J296.113-0

25.6.08 ITH



The appliance should be installed by qualified personnel only. Each step must be carried out and checked in full in the order specified.

Validity

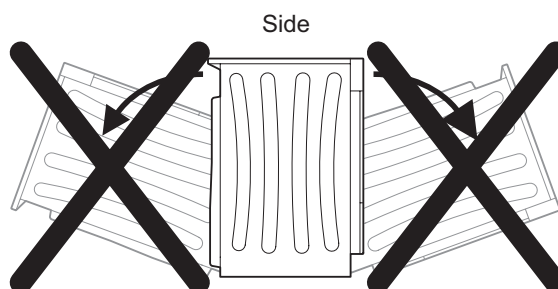
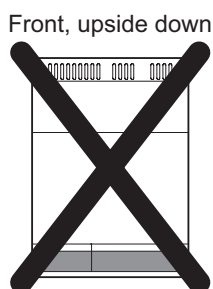
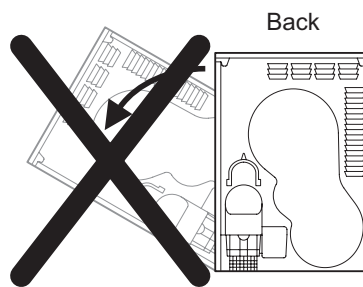
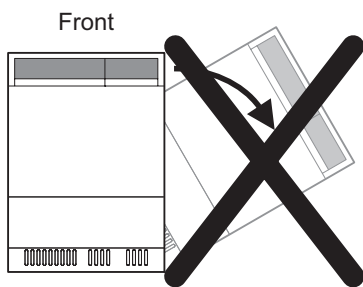
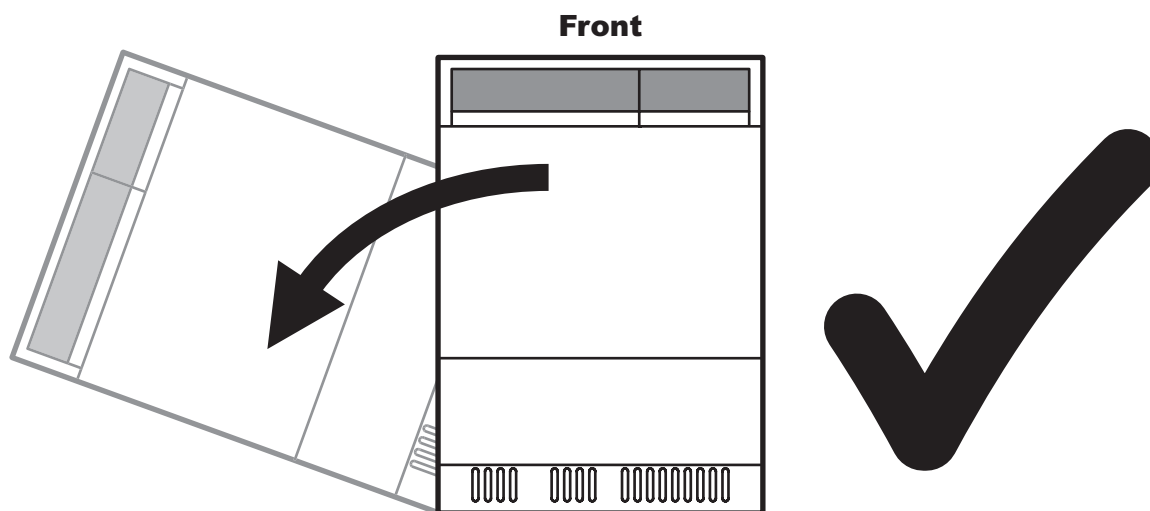
These installation instructions apply to the model: **296**

Transport



Transport the appliance in an upright position only or, if necessary, tilted on its left side (front view). Being transported any other way can cause damage to the appliance!

Allow the appliance to stand for about 2 hours in the normal operating position.



Installation instructions

Heat pump dryer
One-family household

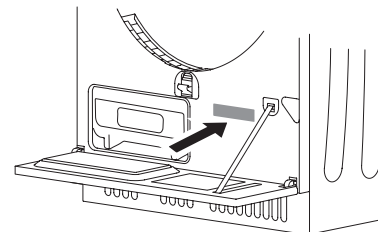


J296.113-0

25.6.08 ITH

Identification plate

- ▶ Open the appliance door and the cover.
 - The identification plate is located bottom right behind the cleaning cover.



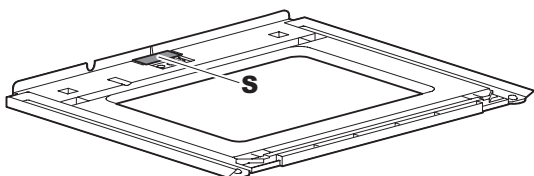
Installation accessories supplied

The necessary installation accessories are located in the drum.

Article	Article no.	Number	See installation step
Condensate drain kit	W5.5845	1	4. Connect condensate drain

Installation plate (W5.0542)

incl. screw material (S) and double-sided adhesive tape



Room conditions / ventilation



Do not obstruct the appliance's ventilation slits to ensure that there is an ample supply of air.

The room must be well ventilated to ensure that the room temperature does not exceed 35 °C.



The room temperature should be kept as low as possible to ensure the economic running of the appliance. Critical is a room temperature of 35 °C and over. This prolongs the duration of the programmes.

If the volume of the room in which the appliance is located is at least 20 m³ when closed:

Condensation may form on thermal bridges!

The room must be aired (by opening the door to or a window in the room) between consecutive drying programmes!

If the volume of the room in which the appliance is located is less than 20 m³:

There must be air inlet and outlet openings (open window, ventilation grille or slits in the door, ventilation system) to the adjacent room or to the outside.

Installation



Work steps 1–5 must be carried out in full in the order specified.

1. Positioning the installation plate



Use the installation plate to install the appliance. This plate fixes the appliance in position (for both free-standing appliances and appliances placed in a niche).

- ▶ Raise the appliance slightly at the front and pull it forward, away from the installation plate.
- ▶ Secure the installation plate to the location you wish to install the appliance using 4 screws. On smooth and clean floors, you can affix the installation plate (double-sided adhesive tape supplied).
- ▶ Dampen the mounting slots on the installation plate with water.

Installation instructions

Heat pump dryer
One-family household



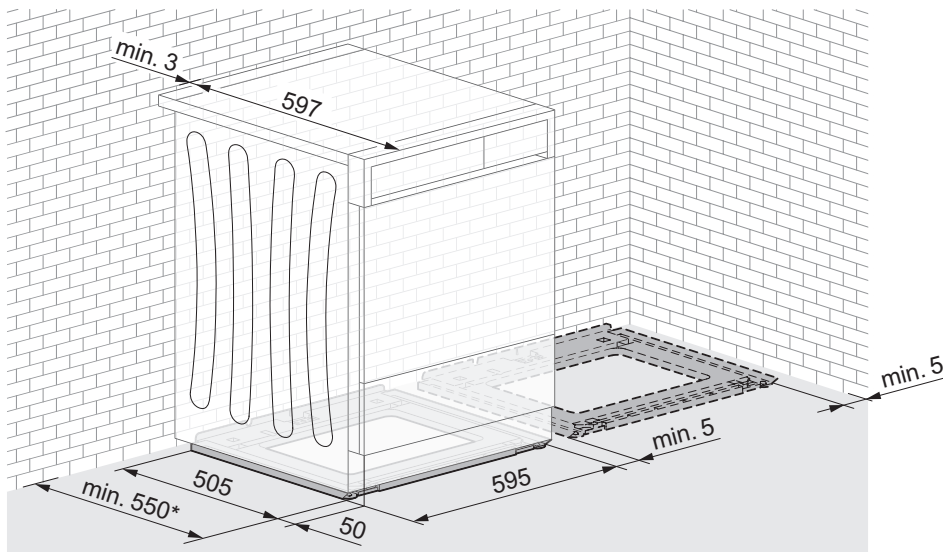
J296.113-0

25.6.08 ITH

Free-standing position

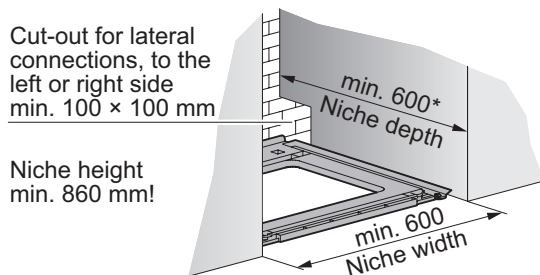


If a tumble dryer and a washing machine are positioned side by side, keep a distance of min. 5 mm between installation plates and min. 3 mm to walls.



Positioning in a niche

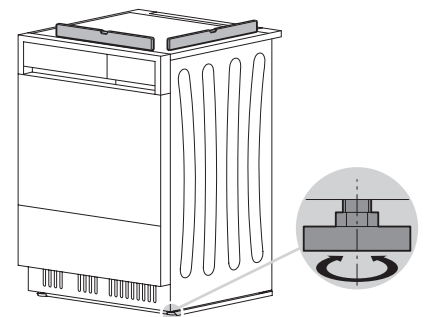
- ▶ Centre the installation plate in the niche.



* This only applies if no plumbing fittings are to be installed behind the appliance. Add another 20 mm if the condensed water hose leads away to the left.

2. Levelling

- ▶ Roughly adjust the rear adjuster feet.
- ▶ To ensure smooth, fault-free operation, the appliance must be perfectly vertical. Use a spirit level to position the appliance.
- ▶ Slide the appliance in. Finely adjust the front adjuster feet until all 4 feet are standing firmly on the floor.
 - The appliance must not wobble.



3. Electrical connections



Electrical connections must be carried out by trained electricians in accordance with the guidelines and standards for low voltage installations and the specifications of the local electricity supply companies.

A plug-in appliance may only be connected to a socket outlet with earthing contact, installed according to specifications. A mains isolating device with 3 mm contact opening should be provided in the house wiring system. Switches, plug and socket devices, circuit breakers and fusible cut-outs which are accessible after installation and which have all-poles switching are permissible as isolating devices. Effective earthing and separately installed neutral and earth conductors ensure safe and fault-free operation. After installation, live parts and cables with basic insulation must not be accessible. Old installations should always be checked.

- ▶ Information on the necessary mains voltage, type of current and fuse protection is to be obtained from the identification plate.

Installation instructions

Heat pump dryer
One-family household



J296.113-0

25.6.08 ITH

Connection cable

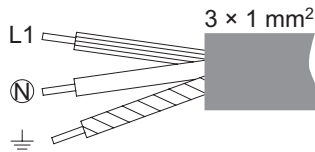
230 V~ 50 Hz, 10 A

Colour code

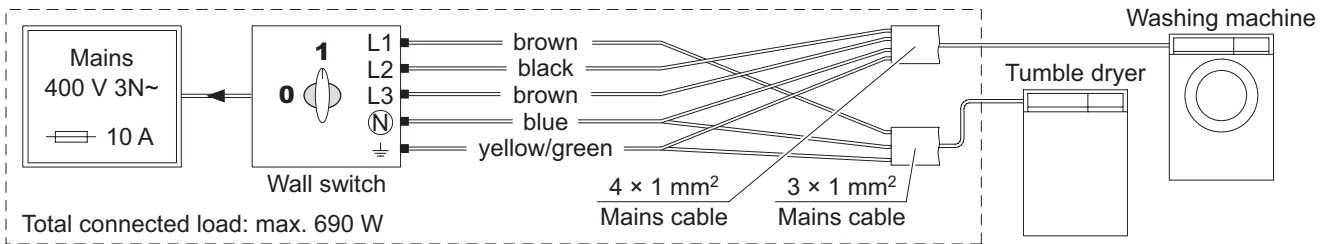
L1 brown

Ⓝ blue

⊕ yellow/green



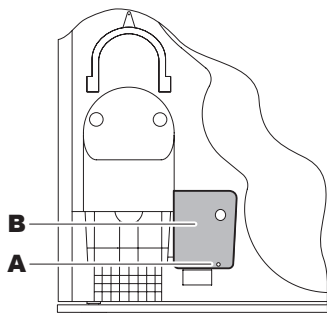
Combined connection tumble dryer / washing machine (models 250–258, 267)



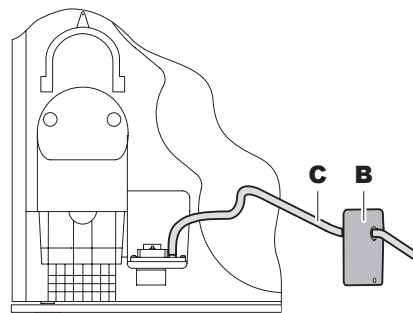
4. Connect condensate drain



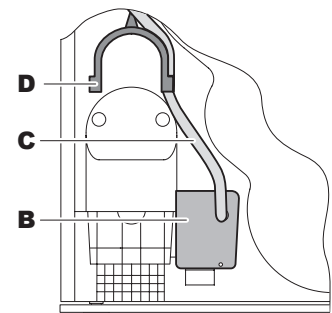
When installing the drain hose, protect it against damage and bending! For that, use a hose clip 8.086.8039.



- ▶ Loosen screw **A**.
- ▶ Remove cover **B**.



- ▶ Push the supplied drain hose **C** (2 m) through the hole in the cover **B**.
- ▶ Push on to the pump connection piece and secure with a hose clip.

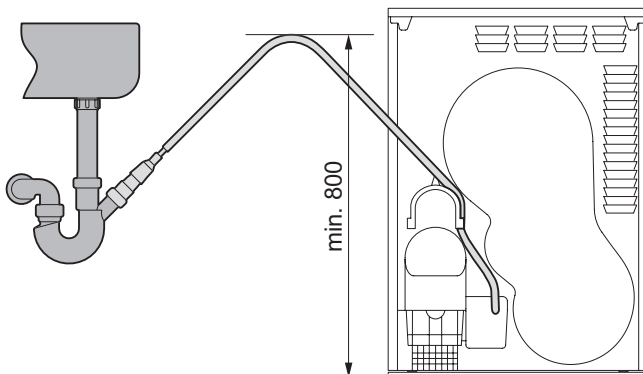


- ▶ Replace cover **B**.
- ▶ Place hose around retainer **D**.

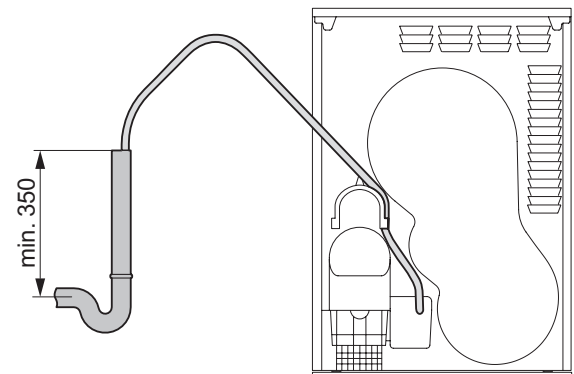
Single connections

Connection to sink drain trap

The max. pumping height of the pump is 1.2 m



Drain into fixed upright outflow pipe



- Cannot be connected to a double drain trap.
- There must be a separate concealed drain trap for each appliance.

Installation instructions

Heat pump dryer
One-family household



J296.113-0

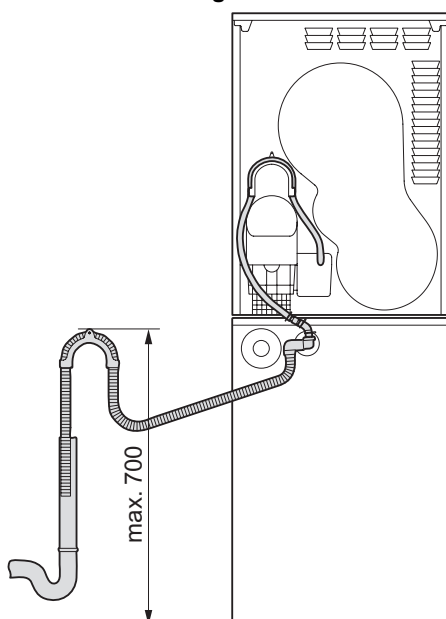
25.6.08 ITH

Washer-dryer combinations

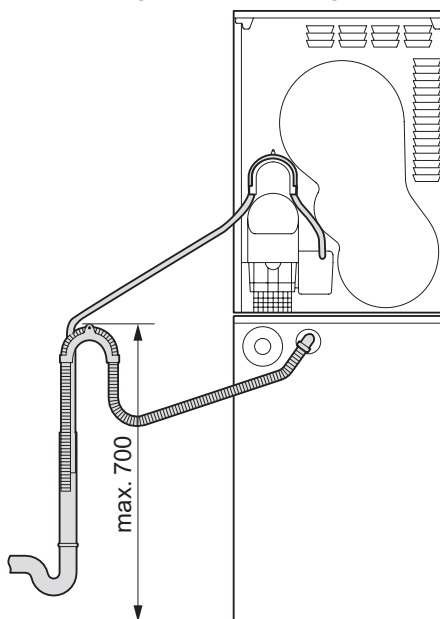
- Can be connected to a double drain trap.

Washer-dryer-combination

with combi drainage set W5.4917

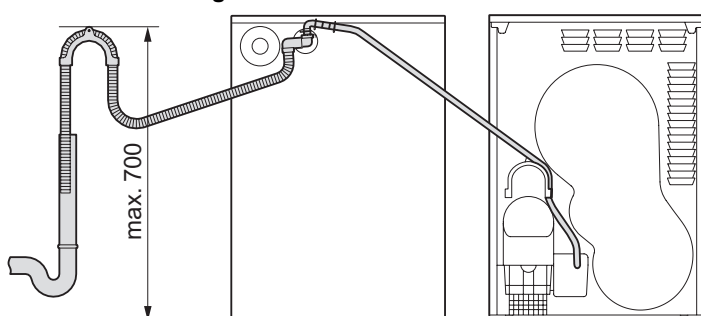


with drainage into fixed upright outflow pipe



Installation side by side

with combi drainage set W5.4917




5. Using for the first time / fine levelling




The appliance must be allowed to stand in the standard operating position for about 2 hours before using for the first time. Failure to observe this can result in damage to the appliance.

The installation can be checked by means of a function test. It lasts about 3 minutes. The heat pump is not turned on. Once the function test has been run, it can no longer be selected and the appliance enters the normal selection mode.



The function test cannot be interrupted by pressing the  button or by disconnecting the power.

- ▶ Plug the appliance in at the mains or turn the wall switch on.
- ▶ Start the function test with the  button.
 - The function test runs (the washing drum reverses and the process fan starts).
- ▶ While the test is running, check the stability of the appliance. If necessary, readjust the adjuster feet until the appliance stands firmly on the floor.