

Installation instructions

Coffee-Center
Type of construction 60-381



J301.133-0

18.2.09 ITH



The appliance should be installed by qualified personnel only. Each step must be carried out and checked in full in the order specified.

Validity

These installation instructions apply to the model: **301**

General notes



If fitting in flammable material, the guidelines and standards for low voltage installations and for the fire protection must be strictly observed.

Identification plate

► Open operating panel. The identification plate is on the right-hand side next to the coffee bean holder.

Dimensions

External dimensions (H × W × D): 378 × 596 × 326 mm

Electrical connections



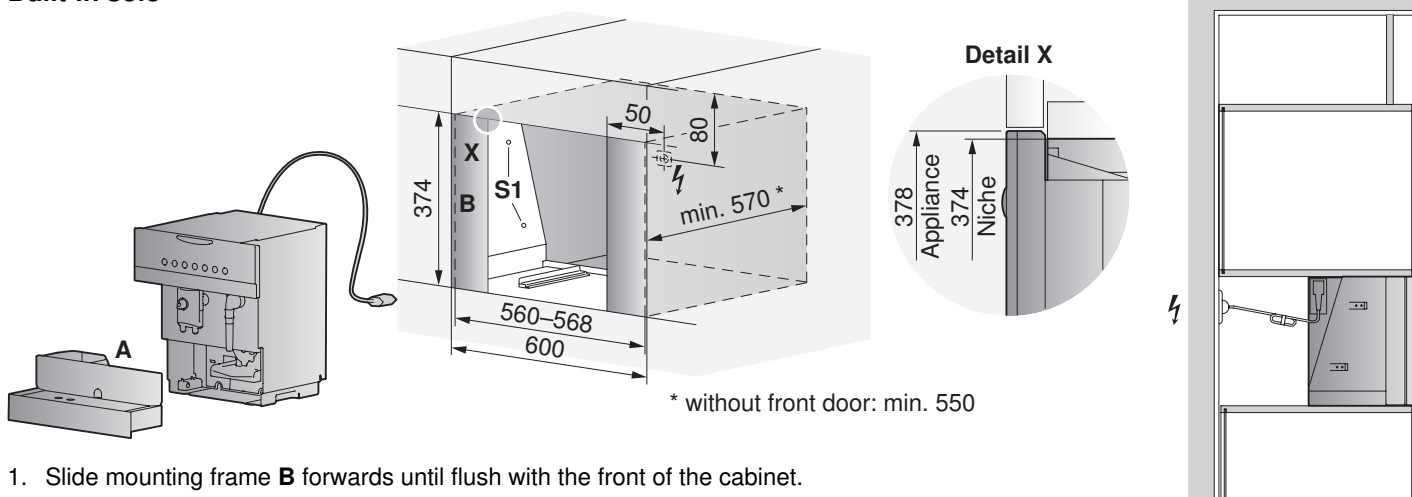
Electrical connections must be carried out by trained electricians in accordance with the guidelines and standards for low voltage installations and the specifications of the local electricity supply companies.

A plug-in appliance may only be connected to a socket outlet with earthing contact, installed according to specifications. A mains isolating device with 3 mm contact opening should be provided in the house wiring system. Switches, plug and socket devices, circuit breakers and fusible cut-outs which are accessible after installation and which have all-poles switching are permissible as isolating devices. Effective earthing and separately installed neutral and earth conductors ensure safe and fault-free operation. After installation, live parts and cables with basic insulation must not be accessible. Old installations should always be checked.

► Information on the necessary mains voltage, type of current and fuse protection is to be obtained from the identification plate.

Installed in tall unit

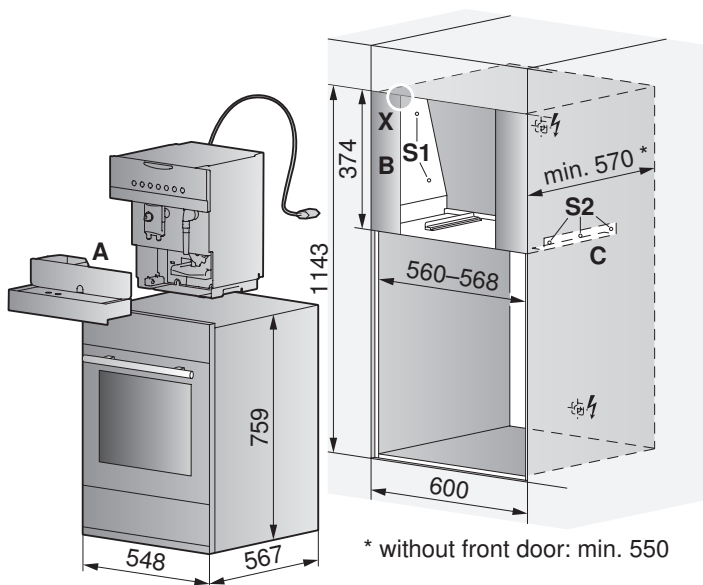
Built-in solo



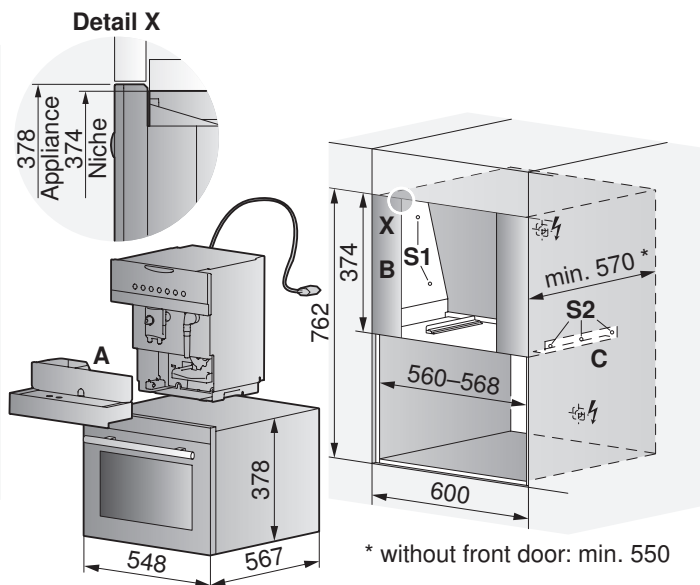
1. Slide mounting frame **B** forwards until flush with the front of the cabinet.
2. Fasten mounting frame on the left and right-hand sides with 2 countersunk chipboard screws **S1** 4.0 × 20 on each side.
3. Insert power socket into wall socket.
4. Slide appliance without drip tray **A** between installation angles on the ground.
5. «Detailed installation», see page 2.



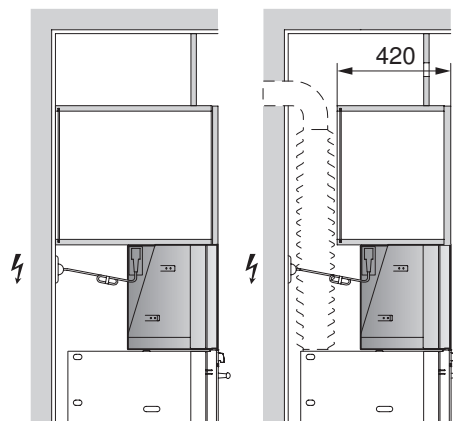
Coffee-Center & oven



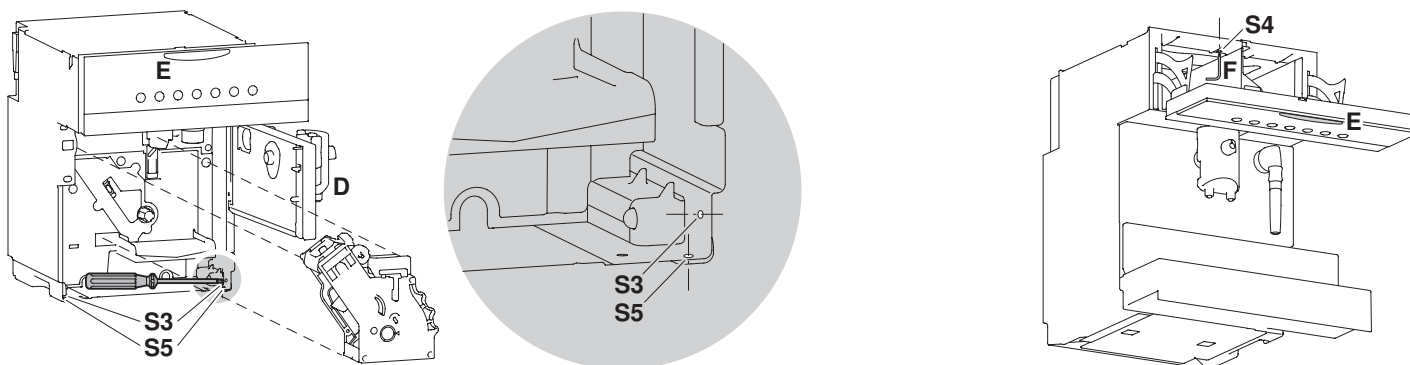
Coffee-Center & steamer



1. Punch 3 holes on both the left and right-hand niche walls for chipboard screws **S2** 4.0 × 12 (drill template)
2. Fix both support angles **C** with the enclosed screws **S2**.
3. Slide mounting frame **B** onto support angles and slide forwards until flush with the front of the cabinet.
4. Fasten mounting frame on the left and right-hand sides with 2 countersunk chipboard screws **S1** 4.0 × 20 on each side.
5. Insert power socket into wall socket.
6. Slide appliance without drip tray **A** between installation angles on the ground.
7. «Detailed installation», see below.



Detailed installation



1. Open service door **D** using the handle on the left behind the cover.
2. Loosely screw in 2 screws **S3** M4 × 8 at the bottom left and right.
3. Close service door.
4. Open operating panel by pressing on handle strip **E**.
5. Loosely screw in screw **S4** M4 × 8 at the top using socket screw key **F**.
6. Use adjusting screws **S5** to adjust the height of the front, if necessary (gap width, front alignment flush).
7. Firmly screw in screws **S3** and **S4**.
8. Replace drip tray **A**.