

Installation instructions

Range hood DW-SMC9

Wall hood

Operating mode: extracted air with comfort ventilation system



J332.113-0

11.2.09 ITH



The appliance should be installed by qualified personnel only. Each step must be carried out and checked in full in the order specified.

Validity

These installation instructions apply to the model: **332** (DW-SMC9, construction width 89,8 cm)

General notes



With the simultaneous operation of firing (e. g. wood, gas, oil or coal-fired heating systems), safe operation is only possible providing a room negative pressure of 4 Pa (0.04 mbar) is not exceeded at the location of the appliance. Risk of toxic fumes! An adequate flow of fresh air must be guaranteed, e. g. via non-closable openings in doors and windows and combined with ventilation wall bricks for incoming and exhaust air or by other technical means.



If the appliance is installed over hobs, each cooking zone must be fitted with an ignition fuse and the minimum distances (see section «Dimensions») must be adhered to.



Efficient repairs can only be guaranteed if it is possible to disconnect the appliance at any time without causing any damage.

Comfort ventilation appliance



This appliance may only be operated with a suitable ventilation unit made by the company Zehnder Comfosystems. Comfort ventilation appliances or external blowers made by other companies are not equipped with the required safety features.

Suitable comfort ventilation appliances of Zehnder Comfosystems: Comfoair 350, Comfoair 500 (technical modifications reserved). Follow the safety and installation instructions of the manufacturer.

Identification plate

► Remove grease filters. The identification plate is on the inside of the appliance.

Supplied installation accessories

All fixing elements are contained in the scope of delivery.

Electrical connections



Electrical connections must be carried out by trained electricians in accordance with the guidelines and standards for low voltage installations and the specifications of the local electricity supply companies.

A plug-in appliance may only be connected to a socket outlet with earthing contact, installed according to specifications. A mains isolating device with 3 mm contact opening should be provided in the house wiring system. Switches, plug and socket devices, circuit breakers and fusible cut-outs which are accessible after installation and which have all-poles switching are permissible as isolating devices. Effective earthing and separately installed neutral and earth conductors ensure safe and fault-free operation. After installation, live parts and cables with basic insulation must not be accessible. Old installations should always be checked.

► Information on the necessary mains voltage, type of current and fuse protection is to be obtained from the identification plate.



When using the insert box of the Zehnder Comfosystems company, follow the accompanying installation instructions.

Installation instructions

Range hood DW-SMC9

Wall hood

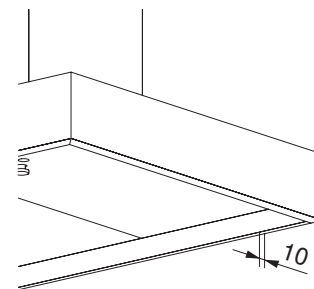
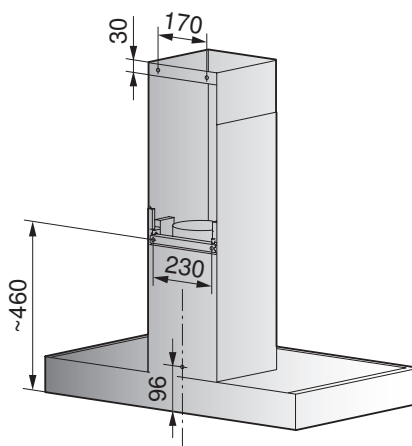
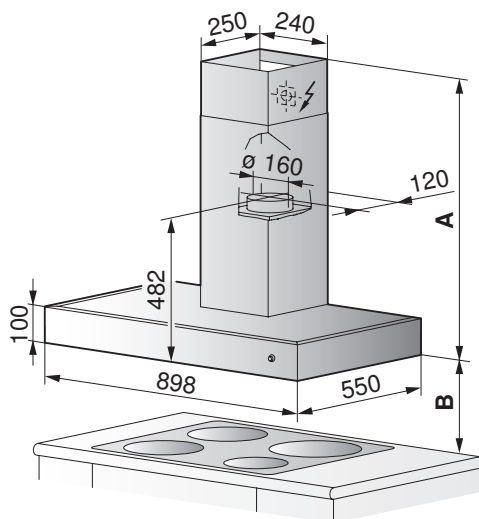
Operating mode: extracted air with comfort ventilation system



J332.113-0

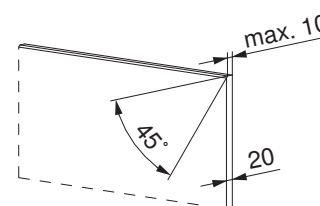
11.2.09 ITH

Dimensions



The lower cover rail of the appliance has a width of 10 mm.

Use of stone cladding



Wall panel (granite, marble) with 20 mm thickness and optional chamfer.

Telescopic casing

(available in various heights)

Height **A**: ► see planning documents for kitchen appliances

Distance above hob

Minimum height **B**:

For electric hob: min. 600 mm

For gas hob: min. 750 mm

Installation

Indications

- Avoid routing the exhaust air pipeline to the side through the flue casing.
- Planning features for non-destructive de-installation and maintenance of the appliance:
 - Do not route telescopic casing in suspended ceilings.
 - Avoid silicon joints between the telescopic casing and the appliance.
 - All plastering, plasterboarding, wall papering or painting work is to be carried out prior to the appliance installation.

Installation instructions

Range hood DW-SMC9

Wall hood

Operating mode: extracted air with comfort ventilation system

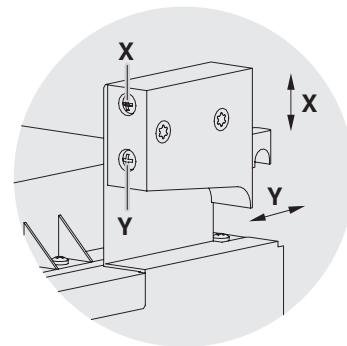
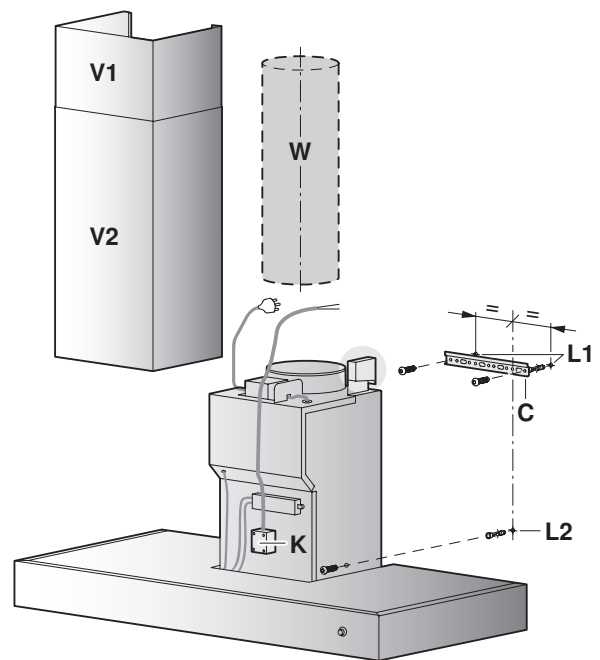


J332.113-0

11.2.09 ITH

Installation

1. Affix drilling template to the wall. Drill 2 holes **L1** (\varnothing 8 mm) and insert plugs.
2. Fix angle bracket **C** with 2 screws (\varnothing 5 × 45 mm) to the wall.
3. Fit hood and remove grease filters.
4. Use the setting screws **X** and **Y** to set the horizontal position and distance to the rear panel.
5. Mark hole **L2** (\varnothing 8 mm), take off hood, drill hole and push plug.
6. Fit hood and attach it with a screw (\varnothing 5 × 45 mm).
7. Temperature sensor **K** is included with the comfort ventilation system and can be installed on the housing as illustrated. For this pay attention to the installation instructions for the comfort ventilation system.
8. Replace grease filters.



9. Drill 2 holes **L3** (\varnothing 8 mm) – aligned with appliance – in the wall under the ceiling and insert plugs.
10. Attach metal support **D** with 2 screws **S1** (\varnothing 5 × 45 mm).
11. Mount exhaust air hose **W**. Ensure hose is free from kinks and is stretched.
12. Install lagging sheets **V1**, **V2**. Attach upper lagging sheet **V1** with 2 screws **S2** (\varnothing 3 × 6 mm) to metal support **D**.

