

# Installation instructions

Induction glass ceramic hob  
With normal mounting frame



J488.113-2

20.1.09 ITH



The appliance should be installed by qualified personnel only. Each step must be carried out and checked in full in the order specified.

## Validity

These installation instructions apply to the models: **488** (GK46TIC), **489** (GK46TIVC), **002** (GK46TIASC)

## General notes

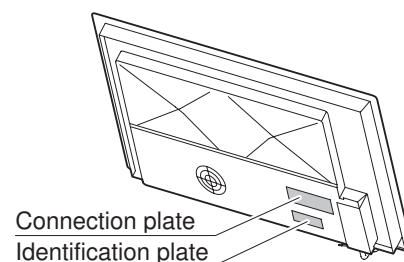


If fitting in flammable material, the guidelines and standards for low voltage installations and for the fire protection must be strictly observed.

## Identification plate

The identification plate is next to the connection plate.

- ▶ Affix the second identification plate (enclosed) in an accessible position behind the front of the fitted cabinet beneath the appliance.



## Accessories

Designation	Article no.
Ventilation protective plate set	
For niche width 550–600 mm	H6.2122
For niche width 825–900 mm	H6.2123

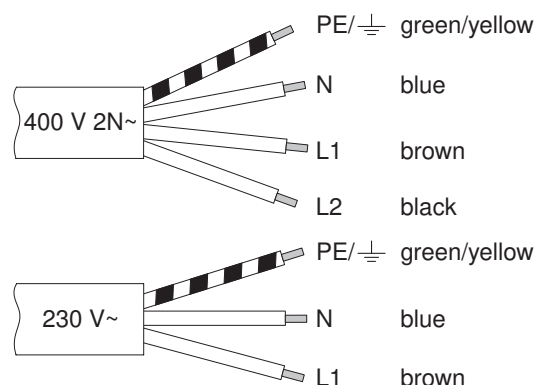
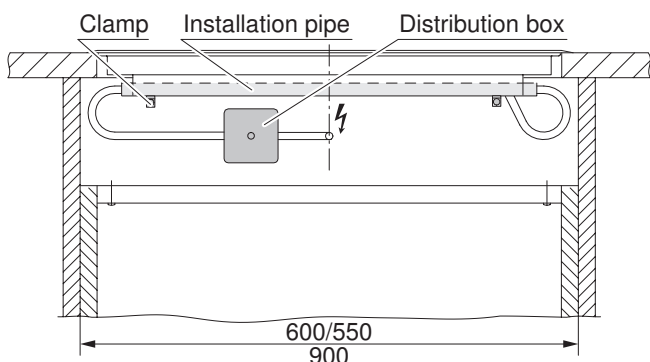
## Electrical connections



Electrical connections must be carried out by trained electricians in accordance with the guidelines and standards for low voltage installations and the specifications of the local electricity supply companies.

A plug-in appliance may only be connected to a socket outlet with earthing contact, installed according to specifications. A mains isolating device with 3 mm contact opening should be provided in the house wiring system. Switches, plug and socket devices, circuit breakers and fusible cut-outs which are accessible after installation and which have all-poles switching are permissible as isolating devices. Effective earthing and separately installed neutral and earth conductors ensure safe and fault-free operation. After installation, live parts and cables with basic insulation must not be accessible. Old installations should always be checked.

- ▶ Information on the necessary mains voltage, type of current and fuse protection is to be obtained from the identification plate.
- ▶ The appliance is equipped with a mains cable that should be connected to a distribution box by the customer.
- ▶ If an oven is installed beneath the appliance, we recommend placing the distribution box behind the base. A cut-out can be made in the rear wall for the cables.



## Error message U400



Incorrect connection:  
A pole conductor was connected to the connecting terminal for neutral conductors.  
Quickly disconnect the appliance from the mains!



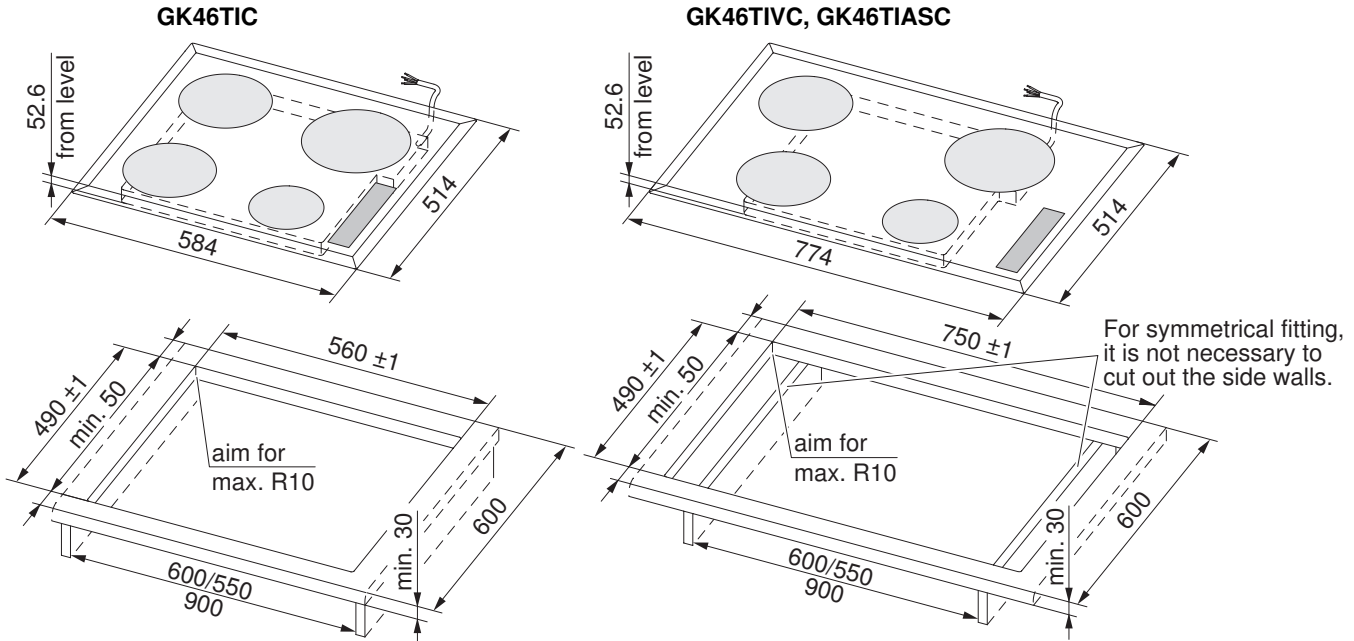
**Installation**

**Indications**

- The work surface has to be flat to ensure that the appliance is adequately sealed against liquids.
- In order to guarantee good ventilation, there needs to be a space of at least 2 cm height beneath the appliance.
- If the depth of the work surface is  $\geq 30$  mm, you can place an oven with 762 mm height directly underneath the appliance, exception: M-SL[P].
- It is possible to install an oven in the short mounting forms 55-600, 60-600, 55-381 or 60-381 beneath the appliance if you use a ventilation grille set (oven accessories).

**Installing**

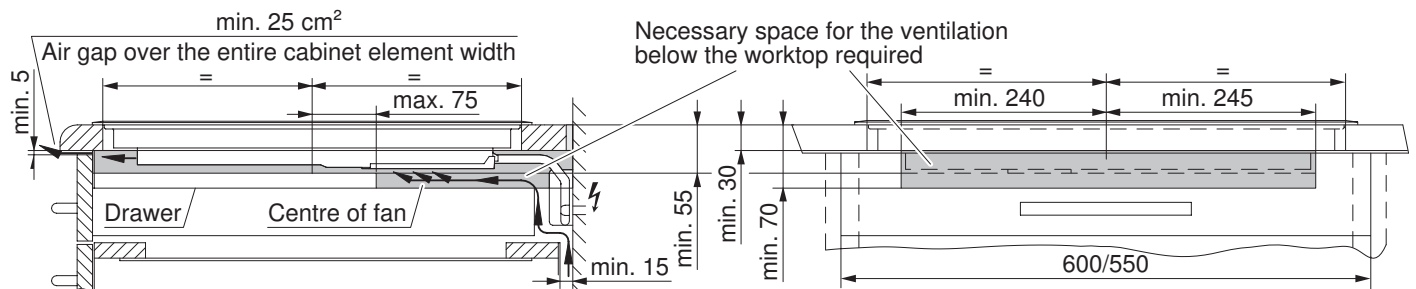
The layout of the cooking zones on the integrated hob may differ from the illustrated hob!



1. Cut out mounting cut-out precisely.
2. Carefully place the appliance in the mounting cut-out and press against the work surface with sufficient overlap.

**Cool air supply if installed over a drawer or cabinet**

In order to guarantee good ventilation, there needs to be a space of at least 2 cm height beneath the appliance.



**With a protective plate beneath the ventilator**

If necessary, a protective plate (see «Accessories») can be fitted above the drawer.

