

Installation instructions

Range hood DW-E6 / DW-E9

Wall hood

Operating mode: extracted air



J868.113-0

11.2.09 ITH



The appliance should be installed by qualified personnel only. Each step must be carried out and checked in full in the order specified.

Validity

These installation instructions apply to the models:

868 (DW-E6, construction width 60 cm)

869 (DW-E9, construction width 90 cm)

General notes



With the simultaneous operation of firing (e.g. wood, gas, oil or coal-fired heating systems), safe operation is only possible providing a room negative pressure of 4 Pa (0.04 mbar) is not exceeded at the location of the appliance. Risk of toxic fumes! An adequate flow of fresh air must be guaranteed, e.g. via non-closable openings in doors and windows and combined with ventilation wall bricks for incoming and exhaust air or by other technical means.



If the appliance is installed over hobs, each cooking zone must be fitted with an ignition fuse and the minimum distances (see section «Dimensions») must be adhered to.



Efficient repairs can only be guaranteed if it is possible to disconnect the appliance at any time without causing any damage.

Identification plate

► Remove grease filters. The identification plate is on the inside of the appliance.

Supplied installation accessories

All fixing elements are contained in the scope of delivery.

Extraction mode



The extracted air must not be fed into a chimney which is used for exhausting fumes from appliances burning gas or other fuels.

Always observe the fire regulations.

Electrical connections



Electrical connections must be carried out by trained electricians in accordance with the guidelines and standards for low voltage installations and the specifications of the local electricity supply companies.

A plug-in appliance may only be connected to a socket outlet with earthing contact, installed according to specifications. A mains isolating device with 3 mm contact opening should be provided in the house wiring system. Switches, plug and socket devices, circuit breakers and fusible cut-outs which are accessible after installation and which have all-poles switching are permissible as isolating devices. Effective earthing and separately installed neutral and earth conductors ensure safe and fault-free operation. After installation, live parts and cables with basic insulation must not be accessible. Old installations should always be checked.

► Information on the necessary mains voltage, type of current and fuse protection is to be obtained from the identification plate.

Installation instructions

Range hood DW-E6 / DW-E9

Wall hood

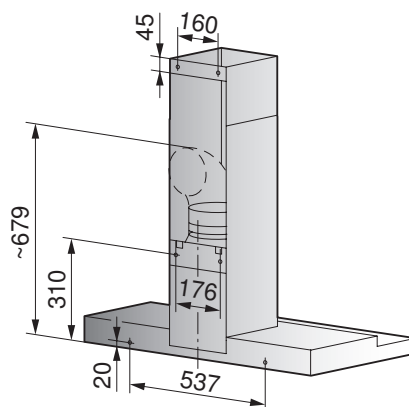
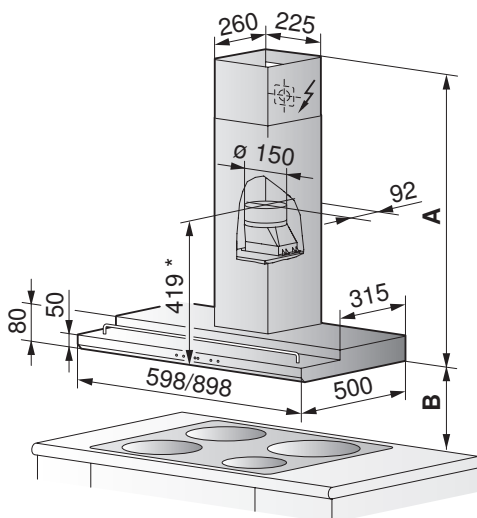
Operating mode: extracted air



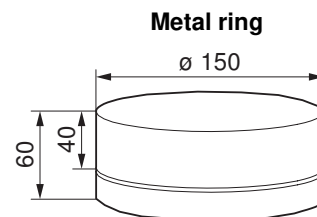
J868.113-0

11.2.09 ITH

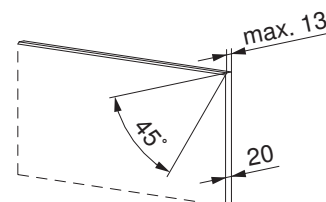
Dimensions



* With metal ring: 459 mm



Use of stone cladding



Wall panel (granite, marble) with 20 mm thickness and optional chamfer.

Telescopic casing

(available in various heights)

Height **A**: ► see planning documents for kitchen appliances

Distance above hob

Minimum height **B**:

For electric hob: min. 600 mm

For gas hob: min. 750 mm

Installation

Indications

- Avoid routing the exhaust air pipeline to the side through the flue casing.
- Planning features for non-destructive de-installation and maintenance of the appliance:
 - Do not route telescopic casing in suspended ceilings.
 - Avoid silicon joints between the telescopic casing and the appliance.
 - All plastering, plasterboarding, wall papering or painting work is to be carried out prior to the appliance installation.

Installation

1. Affix drilling template to the wall. Drill 2 holes **L1** and insert plugs.
2. Fix 2 support bows **C** with screws to the wall.
3. Fit hood **H** and remove grease filters.
4. Use the setting screws **S1** to set the horizontal position on the left and on the right.
5. Mark 2 holes **L2** and 2 holes **L3**, take off hood, drill holes and insert plugs.
6. Fit hood and attach it with screws.
7. Attach exhaust air connector **F** and gasket with 2 screws on hood **H**.
8. Put on metal ring **J**.
9. Drill 2 holes **L4** for metal support **K** – aligned to hood – insert plugs.
10. Attach metal support **K** with 2 screws to the wall.
11. Mount exhaust air hose. Ensure hose is free from kinks and is stretched.
12. Install lagging sheets **V1**, **V2**. Attach upper lagging sheet **V1** with 2 screws **S2** to metal support **K**.
13. Insert lower lagging sheet **V2** to support opening.
14. Insert plastic covers **N**.
15. Replace grease filters.

