



The appliance should be installed by qualified personnel only. Each step must be carried out and checked in full in the order specified.

Validity

These installation instructions apply to the model: **952**

General notes



If fitting in flammable material, the guidelines and standards for low voltage installations and for the fire protection must be strictly observed.

Identification plate

► Remove the drawer. The identification plate is located on the left-hand side next to the dial.

Electrical connections



Electrical connections must be carried out by trained electricians in accordance with the guidelines and standards for low voltage installations and the specifications of the local electricity supply companies.

A plug-in appliance may only be connected to a socket outlet with earthing contact, installed according to specifications. A mains isolating device with 3 mm contact opening should be provided in the house wiring system. Switches, plug and socket devices, circuit breakers and fusible cut-outs which are accessible after installation and which have all-poles switching are permissible as isolating devices. Effective earthing and separately installed neutral and earth conductors ensure safe and fault-free operation. After installation, live parts and cables with basic insulation must not be accessible. Old installations should always be checked.

► Information on the necessary mains voltage, type of current and fuse protection is to be obtained from the identification plate.

Installation

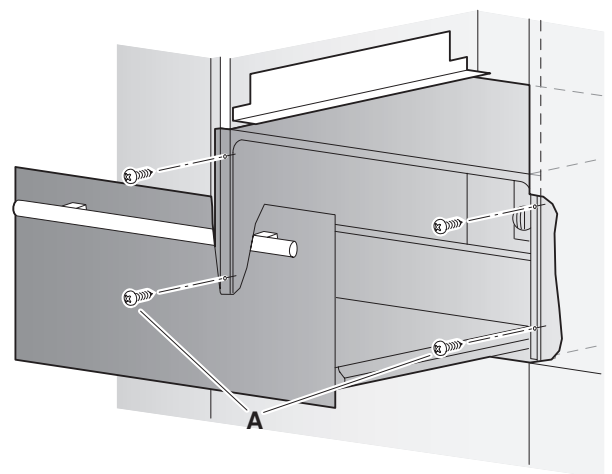


The drawer must be secured by 4 screws to prevent tipping.



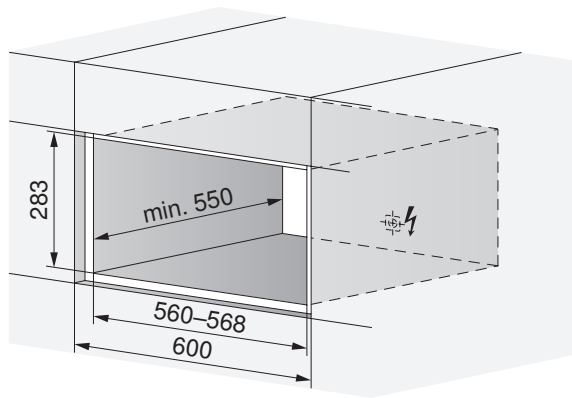
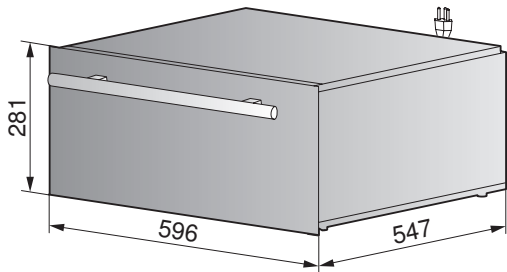
Ensuring that the mains cable is not pinched. After installation, the mains cable must not touch the back and the bottom of the appliance.

1. Fix a bracket set 60 (not included in the scope of delivery) for an appliance located above or below.
2. Place appliance in front of the niche and connect mains cable.
3. Carefully slide appliance into the niche until it is flush with the front of the cabinets, ensuring that the mains cable is not pinched.
4. Open the drawer and fix in place from the front, using the 4 supplied screws **A**.

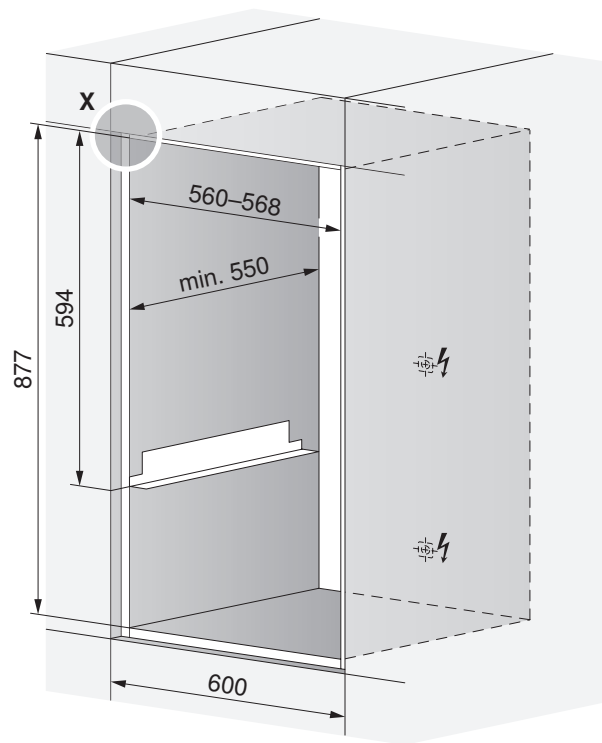
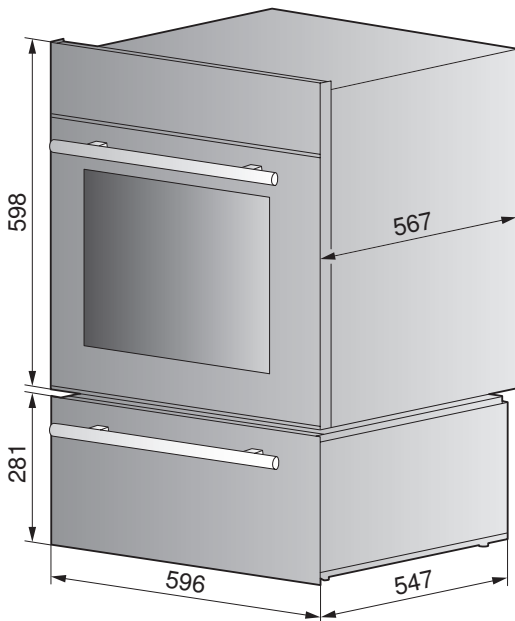




Built-in solo



Installing with oven



Detail X

