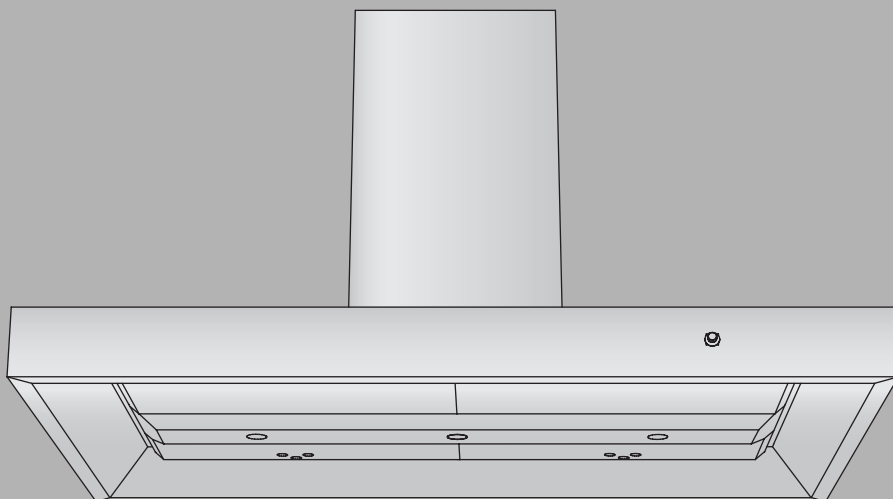


Range hood

DI-SMC12



Operating instructions

Thank you for choosing to buy one of our products. Your appliance is made to high standards and is easy to use. Nevertheless, please take the time to read these operating instructions in order to familiarize yourself with the appliance and get the best use out of it.

Please follow the safety precautions.

Modifications

Text, diagrams and data correspond to the technical standard of the appliance at the time these operating instructions went to press. The right to make technical modifications for the purpose of the further development of the appliance is reserved.

Symbols used



Denotes important safety precautions. Failure to observe said precautions can result in injury or damage to the appliance or fittings!

- ▶ Indicates step-by-step instructions.
 - Describes how the appliance reacts to the steps taken.
- Indicates a list.



Denotes useful tips for the user.

Validity

The model number corresponds to the first three digits on the identification plate. These operating instructions apply to the model:

Type	Model no.
DI-SMC12	016

Variations depending on the model are noted in the text.

Contents

Safety precautions	4
Before using for the first time	4
Correct use	5
Children in the home	5
Note on use	6
Appliance description	8
Fitted with	8
Construction	9
Use	10
Operation	10
Illumination	10
Care and maintenance	11
Cleaning the housing	11
Cleaning the grease filters	12
Cleaning the temperature sensor	13
Changing the halogen spot	14
Trouble-shooting	15
What to do if	15
Accessories and spare parts	16
Technical data	17
Disposal	18
Notes	19
Index	22
Repair service	23

Safety precautions



The appliance corresponds to recognised technology standards and the relevant safety regulations. Proper use of the appliance is however essential to avoid damage and accidents. Please therefore follow the precautions given in these operating instructions.

In accordance with the requirements of IEC 60335-1:

- This appliance is not intended for use by persons (including children) with reduced physical, sensory or mental capabilities, or lack of experience and knowledge, unless supervised or unless they have been given instruction concerning the use of the appliance by a person responsible for their safety.

Before using for the first time

- The appliance must be installed and connected up to the electricity supply according to the separate installation instructions. The necessary work should be carried out by a qualified fitter or electrician.
- Dispose of the packaging material in accordance with local regulations.

Correct use

- The appliance should only be used together with a suitable comfort ventilation system from Zehnder Comfosystems. Other comfort ventilation appliances or external blowers are not equipped with the necessary safety features. Please follow the operating instructions and safety precautions recommended by Zehnder Comfosystems.
- The appliance is designed for use in the home for extracting cooking vapours from above the cooking area
- Any repairs, modifications or manipulations to the appliance, especially any electrical parts, should only be carried out by the manufacturer, its Customer Services or similarly qualified persons. Repairs if carried out incorrectly may cause serious injury, damage to the appliance and fittings, as well as affect the functioning of the appliance. If the appliance is not working properly or in case of a repair order, follow the instructions given in the 'Repair service' section. Please contact Customer Services if necessary.
- Use original spare parts only.
- Retain these operating instructions for future reference. If you sell or pass the appliance on to a third party, please ensure these operating instructions accompany the appliance, together with the instructions on installation. In this way, the new owner can inform themselves about how to use the appliance correctly and read the pertinent safety precautions.

Children in the home

- Packaging material e.g. plastic and polystyrene can be dangerous for children. Danger of suffocation! Please keep packaging material away from children.
- The appliance is designed for use by adults who are familiar with these operating instructions. Children are often unable to recognise the danger of electrical appliances. Ensure proper supervision and do not allow children to play with the appliance – there is a danger that children can hurt themselves.

Note on use

- If the appliance is visibly damaged, do not use it. Contact our Customer Services.
- If the appliance is not operating properly, disconnect it from the electricity supply immediately.
- Caution: Accessible parts may become hot when used with cooking appliances.
- Do not flambé food underneath the hood as the grease filters, if laden with grease, could catch fire.
- If frying on the cooking surface, do not leave the frying appliance unattended. The cooking oil in the frying appliance could overheat and catch fire. Constantly monitor the temperature of the cooking oil, keeping it below the temperature at which it can catch fire. Change the cooking oil regularly – dirty oil catches fire easier than clean oil.
- Clean the filters regularly. Failure to do so, can increase the fire hazard due to the build-up of grease in the grease filter.
- To avoid damage to the appliance or the kitchen fittings through the build-up of heat, the individual cooking zones of the cooking surface should only be operated with a full pan etc., on the top. Avoid open fires with oil, gas, wood and coal fired cookers.
- Ensure there is adequate ventilation when the extraction fan is on so as to avoid creating a disturbing underpressure in the kitchen and to achieve optimal air extraction. Pay attention also to the information in the operating instructions for your Comfort ventilation system.
- Avoid cross-currents of air which could blow the cooking fumes and vapour over the cooking area.

- With the simultaneous operation of firing (e.g. wood, gas, oil or coal-fired heating systems), safe operation is only possible providing a room negative pressure of 4 Pa (0.04 mbar) is not exceeded at the location of the appliance. Risk of toxic fumes! An adequate flow of fresh air must be guaranteed. Pay attention also to the information in the operating instructions for your Comfort ventilation system.
- When carrying out maintenance work on the appliance, including replacing light bulbs, cut off the electricity supply to the appliance (remove the screw fuse from the holder or switch the circuit breaker off, or disconnect from the mains supply).
- When cleaning the appliance make sure no water gets inside the appliance. Use a moderately damp cloth. Do not spray the inside or outside of the appliance with water. Do not use a steam cleaner. If water gets inside the appliance, it can cause damage.

Appliance description

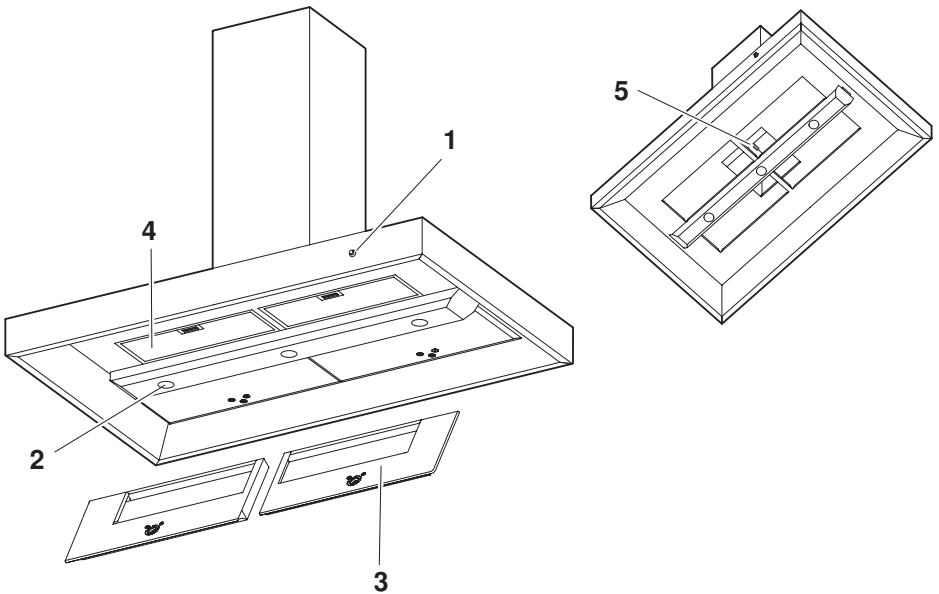
The appliance is designed for use in the home for extracting cooking vapours from above the cooking area. The combi filters and metal grease filters clean the extracted air. The grease particles in the cooking vapour are trapped very efficiently in the combi filters and metal grease filters. The heater exchanger in the comfort ventilation system transfers energy from the warm kitchen air to the replacement air before being vented to the outside.

The appliance is solely for extracting air in combination with a comfort ventilation system.

Fitted with

- Illumination
- 4 metal grease filters
- 4 combi filters

Construction



- 1 Illumination on/off
- 2 Halogen spot
- 3 Combi filter
- 4 Metal grease filter
- 5 Temperature sensor



The temperature sensor **5** is only visible when the filter has been removed.

Use

Operation

The appliance is operated via the comfort ventilation control system. Please observe the operating instructions for the comfort ventilation system.

Illumination

Press the  button to switch the illumination for on/off.



Depending on the model and features, the specification can differ from the standard specification described.

Care and maintenance

Cleaning the housing



Take care that no water gets into the housing of the appliance! If water gets into the housing, it can cause damage.



Do not use abrasive cleaners, scouring pads, steel wool etc. to clean the appliance as they can damage the surface.

Cleaning the outside / inside

- ▶ Clean the outside using a slightly damp cloth – and detergent if necessary – and wipe dry.

Grease and condensate water can build up around the combi filters on the inside.

- ▶ Clean using a slightly damp cloth – and detergent if necessary – and wipe dry.

Cleaning the grease filters

The grease filters should be cleaned at least once a month with normal use. If properly cared for, the grease filters should provide unlimited years of service.

- ▶ The grease filters can be cleaned in a dishwasher.
- ▶ Select an «intensive» – or «heavy soil» – wash programme with a warm pre-wash.



Cleaning may cause the grease filters to become discoloured. However, this will not affect the functioning of the filters in any way.

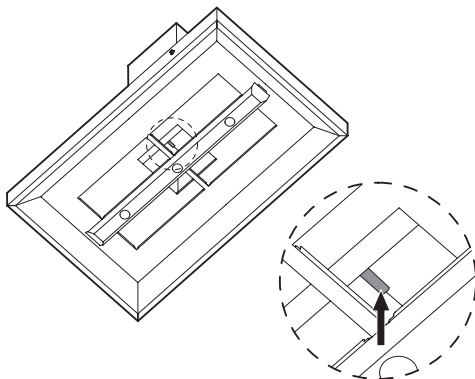
If you do not have a dishwasher:

- ▶ Clean the grease filters in the sink with hot water and detergent.
- ▶ Then soak the filters in hot water in the sink for about 2 hours and finally clean with a washing-up brush.

Cleaning the temperature sensor

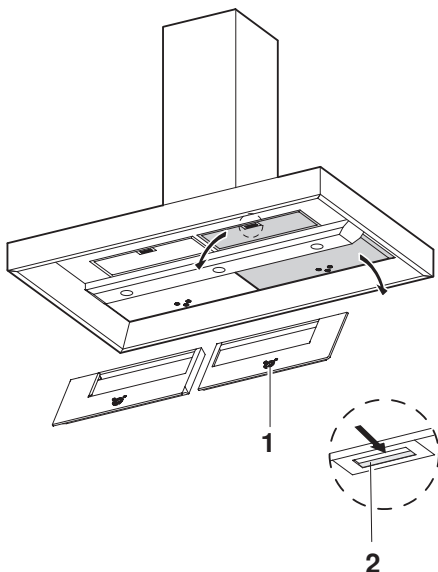
The temperature sensor is only visible when the filter has been removed.

- ▶ Clean the temperature sensor carefully with a soft cloth and a little detergent.



Removing the metal grease filters and the combi filters

- ▶ Loosen the fastening screw **1** in one combi filter.
- ▶ With the other hand, fold the combi filter downwards.
- ▶ Remove the combi filter from its fitting.
- ▶ Remove the other combi filter in the same way.
- ▶ On the metal grease filter push the grip **2** back.
- ▶ Carefully pull the metal grease filter down and remove from the slot.



Take care not to damage the grease filters.

Installing the metal grease filters and the combi filters

- ▶ Replace the metal grease filters.
- ▶ Push one combi filter into the fitting and fold upwards. Tighten the fastening screw **1** slightly.
- ▶ Install the other combi filters in the same way.

Changing the halogen spot



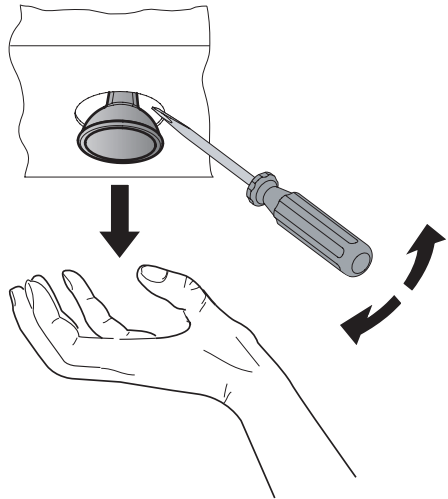
Remove screw fuse or switch off circuit breaker.
Halogen spots become hot during operation! Allow to cool down first.

- ▶ Using a small screw driver, from below carefully lever the halogen spot out of the socket and remove.
- ▶ Replace the defective halogen spot with a halogen spot of the same type (max. 20 watts).
- ▶ Insert the halogen spot into the socket so that it sits flush with the housing.



Ensure that the connection pins of the halogen spot are correctly positioned with the light socket.

- ▶ Put screw fuse back in or switch circuit breaker back on again.



Trouble-shooting

What to do if ...

... the illumination is not working

Possible cause	Solution
■ Fuse or circuit breaker for electrical installations in the home is faulty.	▶ Change the fuse. ▶ Reset the circuit breaker.
■ Interruption in the power supply.	▶ Check the power supply.
■ The halogen spot is faulty.	▶ Change the halogen spot.

... the appliance is not extracting the cooking fumes and smells satisfactorily

Possible cause	Solution
■ The grease filters are dirty.	▶ Clean the grease filters.

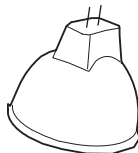
... the appliance is not working

Possible cause	Solution
■ The comfort ventilation system is switched off.	▶ Switch the comfort ventilation system on.

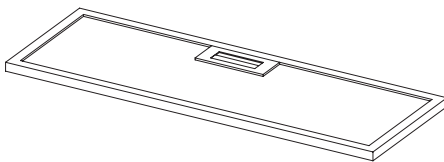
Accessories and spare parts

Please give model number and exact description when ordering parts.

Halogen spot (12 V / 20 W)



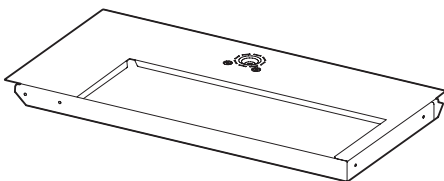
Metal grease filter



Combi filter

Left

Right



The halogen spot is also available from specialized retailers.

Technical data

Electrical connection

- ▶ See identification plate
 - ▶ Remove metal grease filter.
 - The identification plate is located on the inside of the appliance.

Disposal

Packaging

- All packaging materials (cardboard, plastic film (PE) and polystyrene (EPS)) are marked and should, if possible, be collected for recycling and disposed of in an environmentally friendly way.


Disconnection

- Disconnect the appliance from the mains. With a fixed appliance, this is to be carried out by a qualified electrician!

Safety

- Disable the appliance to prevent accidents caused by improper use, especially through children playing.
- Pull the plug out of the mains socket or have the appliance disconnected from the mains by a qualified electrician. Then cut off the mains cable.

Disposal

- The old appliance should not be discarded as worthless rubbish. If disposed of correctly, the raw materials can be recovered for recycling.
- The  symbol on the identification plate warns that the appliance may not be disposed of in normal household waste.
- The appliance must be disposed of in accordance with local regulations on waste disposal. For more information on the handling, disposal and recycling of the product, please contact the local authorities, the local recycling facilities for household waste or the retailer from whom you purchased the appliance.

Notes

Index

A	
Accessories	16
Appliance description	8
C	
Care.....	11
Children in the home	5
Cleaning	11
Grease filters.....	12
Combi filter.....	9
Construction	9
D	
Disconnection.....	18
Disposal.....	18
E	
Electrical connection.....	17
F	
Filter.....	9
Combi filter	9
Metal grease filter	9
Fittings	8
G	
Grease filters	
Cleaning.....	12
H	
Halogen spot.....	9, 14
I	
Identification plate.....	17
Illumination.....	9, 10
M	
Maintenance.....	11
Metal grease filter	9
Model no.....	2
O	
Operation.....	10
P	
Packaging.....	18
R	
Repair service.....	23
S	
Safety.....	18
Safety precautions	
Before using for the first time..	4
Children in the home	5
Correct use	5
Note on use	6
Spare parts.....	16
Symbols	2
T	
Technical data	17
Temperature sensor	9, 13
Trouble-shooting.....	15
Type.....	2
U	
Use.....	10
Using for the first time.....	4

Repair service



The 'Trouble-shooting' section will help you to carry out small repairs yourself, saving you the time and trouble of calling out a service engineer and the cost that goes along with it.

Whether you contact us about a malfunction or an order, please always state the serial number (FN) and the model type of your appliance. Enter these details below and also on the service sticker which comes with the appliance. Stick it in a conspicuous place or in your telephone or address book.

FN

Appliance

You will also find the same details on the certificate of guarantee, the original sales invoice and the identification plate of the appliance.

- ▶ Remove metal grease filter.
 - The identification plate is located on the inside of the appliance.

V-ZUG Ltd

Industriestrasse 66, CH-6301 Zug
vzug@vzug.ch, www.vzug.com



J016.352-1