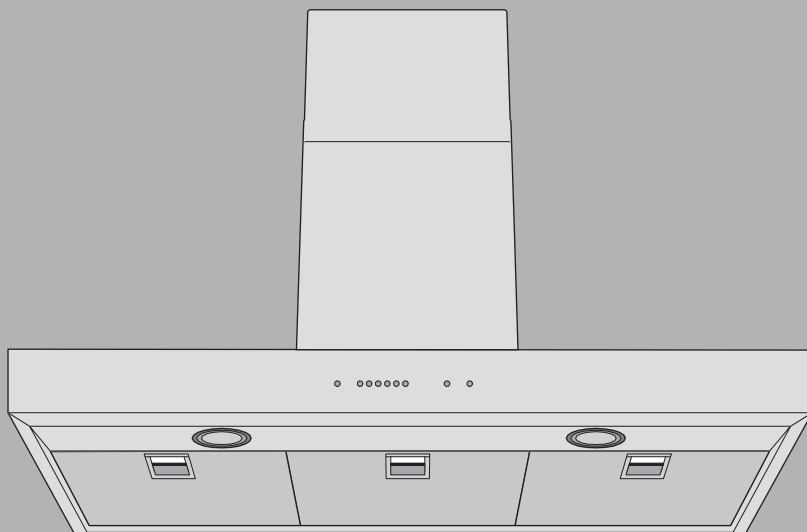


Range hood

DW-SE9 / DW-SE12

DI-SE10 / DI-SE12



Operating instructions

Thank you for choosing to buy one of our products. Your appliance is made to high standards and is easy to use. Nevertheless, please take the time to read these operating instructions in order to familiarize yourself with the appliance and get the best use out of it.

Please follow the safety precautions.

Modifications

Text, diagrams and data correspond to the technical standard of the appliance at the time these operating instructions went to press. The right to make technical modifications for the purpose of the further development of the appliance is reserved.

Symbols used



Denotes important safety precautions. Failure to observe said precautions can result in injury or damage to the appliance or fittings!

- ▶ Indicates step-by-step instructions.
 - Describes how the appliance reacts to the steps taken.
- Indicates a list.



Denotes useful tips for the user.

Validity

The model number corresponds to the first three digits on the identification plate. These operating instructions apply to the models:

Type	Model no.	Size system	Type	Model no.	Size system
DW-SE9	386	90	DI-SE10	393	100
DW-SE12	390	120	DI-SE12	394	120

Variations depending on the model are noted in the text.

Contents

Safety precautions	4
Before using for the first time	4
Correct use	5
Children in the home	5
Note on use	6
Appliance description	8
Extraction model	8
Recirculation model	8
Equipment	9
Construction	10
Operating and display elements	11
Use	12
Care and maintenance	14
Cleaning the housing	14
Cleaning the grease filters	15
Changing the halogen light	17
Changing the standard activated charcoal filter	18
Cleaning and changing the long-life activated charcoal filter	19
Trouble-shooting	21
What to do if	21
Accessories and spare parts	22
Technical data	23
Disposal	24
Index	25
Repair service	27
Quick instructions	28

Safety precautions



The appliance corresponds to recognised technology standards and the relevant safety regulations. Proper use of the appliance is however essential to avoid damage and accidents. Please therefore follow the precautions given in these operating instructions.

In accordance with the requirements of IEC 60335-1:

- This appliance is not intended for use by persons (including children) with reduced physical, sensory or mental capabilities, or lack of experience and knowledge, unless supervised or unless they have been given instruction concerning the use of the appliance by a person responsible for their safety.

Before using for the first time

- The appliance must be installed and connected up to the electricity supply according to the separate installation instructions. The necessary work should be carried out by a qualified fitter or electrician.
- Dispose of the packaging material in accordance with local regulations.

Correct use

- The appliance is designed for use in the home for extracting cooking fumes and smells from above the cooking surface.
- Any repairs, modifications or manipulations to the appliance, especially any electrically live parts, should only be carried out by the manufacturer, its Customer Services or similarly qualified persons. Repairs if carried out incorrectly may cause serious injury, damage to the appliance and fittings, as well as affect the functioning of the appliance. If the appliance is not working properly or in case of a repair order, follow the instructions given in the 'Repair service' section. Please contact our Customer Services if necessary.
- Use original spare parts only.
- Retain these operating instructions for future reference. If you sell or pass the appliance on to a third party, please ensure these operating instructions, together with the installation instructions, accompany the appliance. In this way, the new owner can inform themselves about how to use the appliance correctly and read the pertinent safety precautions.

Children in the home

- Packaging material e.g. plastic and polystyrene can be dangerous for children. Danger of suffocation! Please keep packaging material away from children.
- The appliance is designed for use by adults who are familiar with these operating instructions. Children are often unable to recognise the danger of electrical appliances. Ensure proper supervision and do not allow children to play with the appliance – there is a danger that children can hurt themselves.

Note on use

- If the appliance is visibly damaged, do not use it. Contact our Customer Services.
- If the appliance is not operating properly, disconnect it from the electricity supply immediately.
- Caution: Accessible parts may become hot when used with cooking appliances.
- Do not flambé food underneath the hood as the grease filters if laden with grease could catch fire.
- If frying on the cooking surface, do not leave the frying appliance unattended. The cooking oil in the frying appliance could overheat and catch fire. Constantly monitor the temperature of the cooking oil, keeping it below the temperature at which it can catch fire. Change the cooking oil regularly – dirty oil catches fire more easily than clean oil.
- Clean the filters regularly. Failure to do so can increase the fire hazard due to the build-up of grease in the grease filter.
- Do not operate the individual cooking zones of the cooking surface without a pan on them or with an empty pan on them so as to avoid damaging the appliance or the kitchen fittings through a build-up of heat. Avoid open fires with oil, gas, wood and coal fired cookers.
- Ensure there is adequate ventilation when the extraction fan is on so as to avoid creating a disturbing underpressure in the kitchen and to achieve optimal air extraction.
- Avoid a cross-current of air, which could blow the cooking vapours over the cooking area.

- If another appliance – fuelled by gas or other fuels – is being used at the same time, ensure that there is a sufficient supply of fresh air. This does not apply to air recirculation units.
- With the simultaneous operation of firing (e.g. wood, gas, oil or coal-fired heating systems), safe operation is only possible providing a room negative pressure of 4 Pa (0.04 mbar) is not exceeded at the location of the appliance. Risk of toxic fumes! An adequate flow of fresh air must be guaranteed, e.g. via non-closable openings in doors and windows and combined with ventilation wall bricks for incoming and exhaust air or by other technical means.
- When carrying out maintenance work on the appliance, including replacing the light bulb, cut off the electricity supply to the appliance (remove the screw fuse from the holder or switch the circuit breaker off, or disconnect from the mains supply).
- When cleaning the appliance make sure no water gets inside the appliance. Use a moderately damp cloth. Do not spray the inside or outside of the appliance with water. Do not use a steam cleaner. If water gets inside the appliance, it can cause damage.

Appliance description

The appliance is designed to extract cooking fumes and smells from the cooking area. This particular model can be used to extract or to recirculate air.

Extraction model

The integrated fan extracts cooking fumes and smells from above the cooking surface. The air is cleaned through the grease filters and then fed through the exhaust air conduit to the outside.



When the appliance is in use, ensure there is a sufficient supply of fresh air to replace the air that is being extracted.

Recirculation model

The fumes over the hob are largely removed by the metal grease filter through activated charcoal and then recirculated back into the room through the side air slits in the hood.



If the appliance is not equipped with an activated charcoal filter, one should be ordered and installed prior to initial use. In addition, the saturation indicator for the activated charcoal filter must be activated.

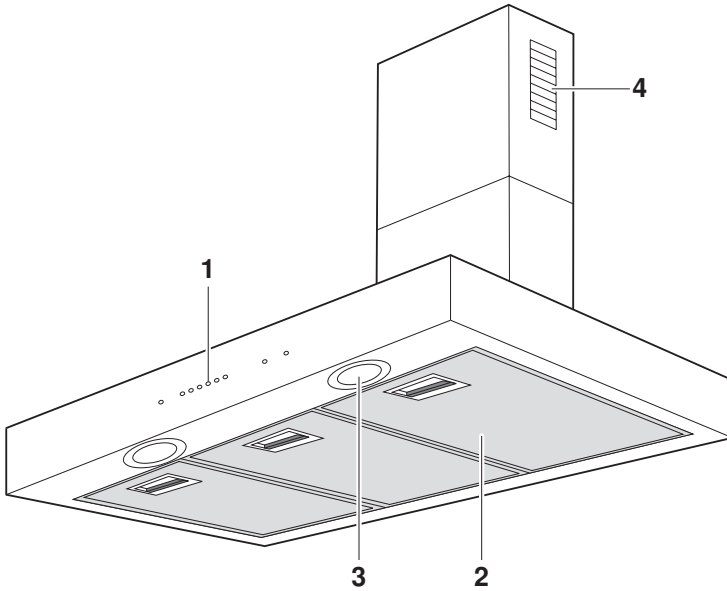
Equipment

- 1 Extractor fan
- Illumination
- 3 or 4 metal grease filters
- 1 activated charcoal filter (only for recirculation mode, not included in scope of delivery)

The extractor fan has four power levels

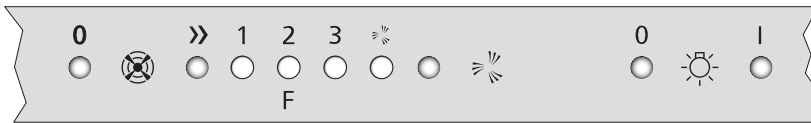
- 1 = low, 2 = medium, 3 = high power and the intensive level.
- Levels 1–3 are suitable for continuous operation.
- The intensive level is used for brief, intensive extraction of fumes, e.g. when searing. The intensive level can be run for five minutes.

Construction



- 1 Operating elements
- 2 Metal grease filter
- 3 Illumination
- 4 Air recirculation with recirculation model

Operating and display elements



Keys

Operation

- 0** Switching off / resetting saturation indicator
- >>** Switching on / power level


Intensive level

Intensive level

Illumination

- 0** Off
- I** On

Indicator lights

- 1** Extraction level 1
- 2 / F** Extraction level 2 / saturation indicator for metal grease filter and long-life activated charcoal filter
- 3** Extraction level 3 / saturation indicator for standard activated charcoal filter
-  Intensive level



Depending on the model and features, the specification of the appliance may differ from the standard specification described herein.

Use




Switching the appliance on / Selecting the power level

- ▶ Pressing the >> button switches the appliance on at power level 1.
- ▶ To select power levels 2 or 3, repeatedly press the >> button.
 - The indicator light shows which power level is currently being used.



We recommend switching the appliance on at power level 1 some 5 minutes before cooking. After you have finished cooking, allow the appliance to run for another 15 minutes. Use a low power level for normal cooking fumes and a higher power level for very strong cooking fumes and smells.

Intensive level

- ▶ Press the  button to switch the intensive level on for 5 minutes.
 - After this time has elapsed, the appliance switches back to the previously selected extraction level. If no extraction level was selected, the appliance switches off.
 - The indicator light  shows that the intensive level is activated.
- ▶ Press the >> or  button to stop the intensive level before the 5 minutes is up.

Switching off the appliance

- ▶ Press the 0 button to switch off the extraction functions.



After you have finished cooking, allow the appliance to run for another 15 minutes so that the cooking smells can be extracted.

Illumination

- ▶ Use the **0** and **|** button to switch the illumination off or on.



The illumination can be used on its own.

Saturation indicator for metal grease filter and long-life activated charcoal filter

The indicator light **2 / F** flashes after 40 operating hours. The saturation level has been reached and the grease filter must be cleaned.

Saturation indicator for standard activated charcoal filter

The indicator light **3** flashes after 160 operating hours. The saturation level has been reached and the standard activated charcoal filter must be replaced.



The saturation indicator is deactivated at the factory. If the appliance is being used as a recirculation model, the saturation indicator must first be activated.

To activate the saturation indicator

- ▶ Depress the **»»** and **☼** buttons at the same time for 3 seconds.
 - The indicator light **2 / F** flashes.
 - After 3 seconds the indicator light **3** flashes.
 - The saturation indicator is activated.

To deactivate the saturation indicator

- ▶ Depress the **»»** and **☼** buttons at the same time again.
 - After 3 seconds the indicator light **3** flashes.
 - The saturation indicator is deactivated.

Care and maintenance

Cleaning the housing



Take care that no water gets into the housing of the appliance! If water gets into the housing, it can cause damage.



Do not use abrasive cleaners, scouring pads, steel wool, etc., as they can damage the surface.

Cleaning the outside / inside

- ▶ Clean the outside using a slightly damp cloth – and detergent if necessary – and wipe dry.

Grease and condensate water can build up on the inside next to the grease filters.

- ▶ Clean using a slightly damp cloth – and detergent if necessary – and wipe dry.

Cleaning the grease filters

The grease filters should be cleaned at least once a month with normal use or whenever the indicator light **2 / F** flashes. If properly cared for, the grease filters should provide unlimited years of service.

- ▶ The grease filters can be cleaned in a dishwasher.
- ▶ Select an «intensive» – or «heavy soil» – wash programme with a warm pre-wash.



Cleaning may cause the grease filters to become discoloured. However, this will not affect the functioning of the filter in any way.

If you do not have a dishwasher:

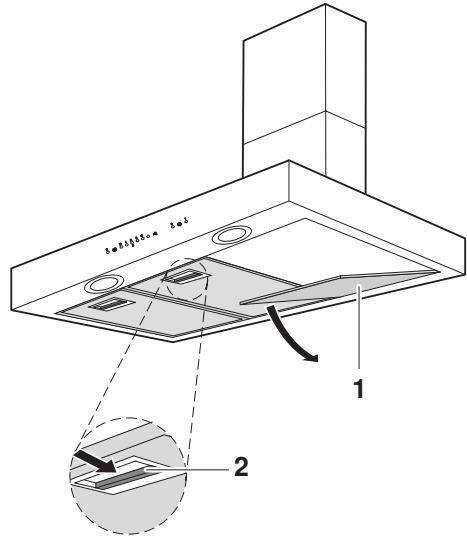
- ▶ Clean the grease filters in the sink with hot water and detergent.
- ▶ Then soak the filters in hot water in the sink for about 2 hours and finally clean with a washing-up brush.

Removing the grease filters

- ▶ Press back the grip **2** on the grease filter **1**.
- ▶ Carefully pull the grease filter down and out of the fixture.



Take care not to damage the grease filters.



Replacing the grease filters

- ▶ Insert the grease filter into the slots at the back.
- ▶ Push the grip back.
- ▶ Swing the grease filter up and engage in position.
- ▶ Hold the **0** button depressed for at least 3 seconds.
 - An acoustic signal is emitted.
 - The **2 / F** indicator light goes out.

Changing the halogen light



Remove screw fuse or switch off circuit breaker.

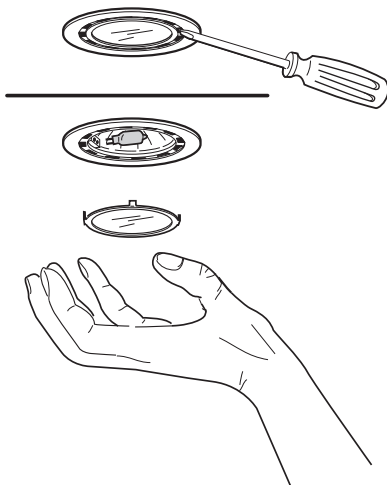
Halogen lights get hot during operation! Allow to cool down first.

- ▶ Using a small screw driver, carefully remove the ring.
- ▶ Replace the defective halogen light with a bulb of the same type (max. 20 watts).



Avoid touching the new halogen light with bare hands. Use a soft, dry and grease-free cloth.

- ▶ Clean the ring and the glass.
- ▶ Fit the ring and the glass back into the openings.
- ▶ Put screw fuse back in or switch circuit breaker on again.



Changing the standard activated charcoal filter



Remove the appliance's fuse or switch the circuit breaker off.

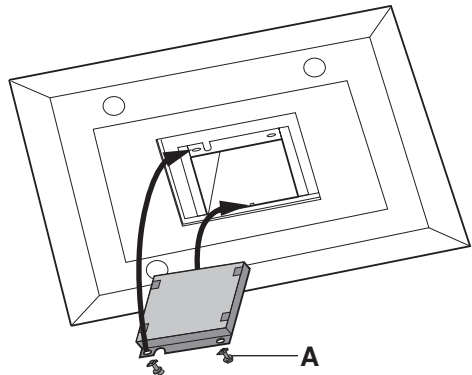
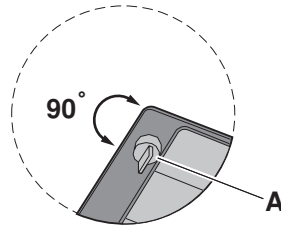
Standard activated charcoal filters are only used in the recirculation model.

Standard activated charcoal filters become less effective with use. With normal use, they have to be changed at least every 4 months or whenever the indicator light **3** flashes. They cannot be washed or regenerated.



The dirty standard activated charcoal filter can be disposed of with the household waste.

- ▶ Remove the grease filter and clean it.
- ▶ Turn the two locking knobs **A** by 90° and remove the standard activated charcoal filter by pulling it down.
- ▶ Insert the new standard activated charcoal filter until it latches at the back and secure it in the front with the locking knobs.
- ▶ Reinsert the grease filter.
- ▶ Replace the fuse or switch the circuit breaker back on again.
- ▶ Depress the **0** button for at least 3 seconds.
 - An acoustic signal sounds.
 - The indicator light **3** goes out.



Cleaning and changing the long-life activated charcoal filter



Remove screw fuse or switch off circuit breaker.


Long-life activated charcoal filters are only used in the recirculation mode.

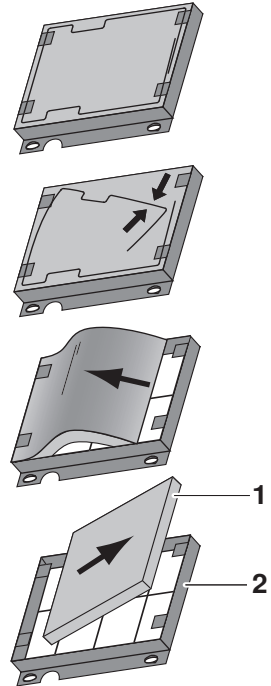
Unlike the standard activated charcoal filter, the long-life activated charcoal filter can be cleaned and reactivated. The long-life activated charcoal filter should be changed ever month with normal use or whenever the indicator light **2 / F** flashes. The filter can be cleaned in a dishwasher at 65 °C (select an «intensive» or «heavy soil» wash programme). Wash the filter separately so that it does not become clogged with food particles. If it is not possible to wash the filter in a dishwasher, soak the filter in 60 °C water and detergent for one hour. Then rinse well. To reactivate the activated charcoal, dry the filter without the frame in the oven.

- ▶ Select top and bottom heat or hot air and set the temperature to 100 °C. Place the filter on a wire shelf and allow to dry for 60 minutes.



The long-life activated charcoal filter needs to be replaced after about 3 years as its ability to absorb odours declines. The spent long-life activated charcoal filter can be disposed of in the household waste.

- ▶ Remove and clean the metal grease filters.
- ▶ Turn both knobs 90 ° and remove the long-life activated charcoal filter from the bottom.
- ▶ Remove, clean, reactivate and replace the filter **1** into the frame **2**. Take care not to damage the filter. If necessary, replace the used long-life activated charcoal filter by a new one.
- ▶ Replace the long-life activated charcoal filter and engage it at the back and secure at the front with the knobs.
- ▶ Replace the metal grease filters.
- ▶ Replace the fuse, switch the circuit breaker back on again.
- ▶ Depress the  button for at least 3 seconds.
 - An acoustic signal is given off.
 - The indicator light **2 / F** goes out.



Trouble-shooting

What to do if ...

... the illumination is not working

Possible cause	Solution
■ Fuse or circuit breaker for electrical installations in the home is faulty.	▶ Change the fuse. ▶ Reset the circuit breaker.
■ Interruption in the power supply.	▶ Check the power supply.
■ The halogen light is faulty.	▶ Change the halogen light.

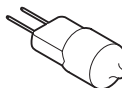
... the appliance is not extracting the cooking fumes and smells satisfactorily

Possible cause	Solutions
■ The grease filters are dirty.	▶ Clean the grease filters.
■ The activated charcoal filter (in recirculation models) is spent.	▶ Change the standard activated charcoal filter. ▶ Clean or change the long-life activated charcoal filter.

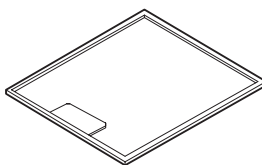
Accessories and spare parts

Please give model number and exact description when ordering parts.

Halogen light

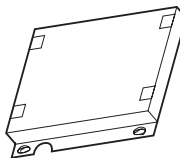


Metal grease filter



Standard activated charcoal filter

Long-life activated charcoal filter



The halogen light is also available from specialist retailers.

Technical data

Electrical connection

- ▶ See identification plate
 - ▶ Remove metal grease filter.
 - The identification plate is located on the inside of the appliance.

Disposal

Packaging

- All packaging materials (cardboard, plastic film (PE) and polystyrene (EPS)) are marked and should, if possible, be collected for recycling and disposed of in an environmentally friendly way.


Disconnection

- Disconnect the appliance from the mains. With a fixed appliance, this is to be carried out by a qualified electrician!

Safety

- Disable the appliance to prevent accidents caused by improper use, especially through children playing.
- Pull the plug out of the mains socket or have the appliance disconnected from the mains by a qualified electrician. Then cut off the mains cable.

Disposal

- The old appliance should not be discarded as worthless rubbish. If disposed of correctly, the raw materials can be recovered for recycling.
- The  symbol on the identification plate warns that the appliance may not be disposed of in normal household waste.
- The appliance must be disposed of in accordance with local regulations on waste disposal. For more information on the handling, disposal and recycling of the product, please contact the local authorities, the local recycling facilities for household waste or the retailer from whom you purchased the appliance.

Index

A

Accessories.....	22
Activated charcoal filter	8
Long-life	19
Appliance	
Switching off	12
Switching on	12

C

Care	14
Children in the home.....	5
Cleaning.....	14
Grease filters	15
Construction.....	10

D

Disconnection	24
Display elements.....	11
Disposal	24

E

Electrical connection	23
Equipment	9
Extraction model	8

F

Faults.....	21
Filter	
Combi filter	15
Metal grease filter.....	15

G

Grease filter	
Saturation indicator.....	11, 13
Grease filters	
Removing	16
Replacing.....	16

H

Halogen light	17
---------------------	----

I

Identification plate	23
Illumination.....	10, 13
Intensive level.....	12

L

Long-life activated charcoal filter.....	19
Cleaning and changing.....	19

M

Maintenance	14
Metal grease filter.....	10
Model no.	2

O

Operating elements.....	10, 11
-------------------------	--------

P

Packaging	24
-----------------	----

Q	
Quick instructions.....	28
R	
Recirculation model	8
Repair service	27
S	
Safety	24
Safety precautions	
Before using for the first time .	4
Children in the home.....	5
Correct use.....	5
Note on use.....	6
Saturation indicator	11
Activating	13
Deactivating.....	13
Long-life activated charcoal filter	13
Metal grease filter	13
Standard activated charcoal filter	13
Selecting the power level	12
Spare parts.....	22
Standard activated charcoal filter Changing.....	18
Switching on.....	12
Symbols	2
T	
Technical data	23
Type	2
U	
Use.....	12
Using for the first time.....	4

Repair service



The 'Trouble-shooting' section will help you to carry out small repairs yourself, saving you the time and trouble of calling out a service engineer and the cost that goes along with it.

Whether you contact us about a malfunction or an order, please always state the serial number (FN) and the model type of your appliance. Enter these details below and also on the service sticker which comes with the appliance. Stick it in a conspicuous place or in your telephone or address book.

FN

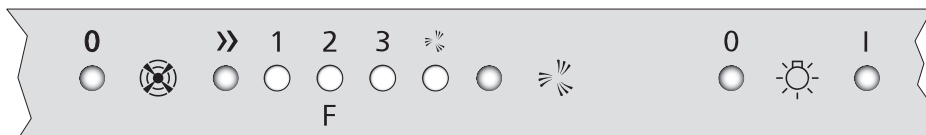
Appliance

You will also find the same details on the certificate of guarantee, the original sales invoice and the identification plate of the appliance.

- ▶ Remove metal grease filter.
 - The identification plate is located on the inside of the appliance.

Quick instructions

Please first read the safety precautions in these operating instructions!



Operation

- 0** Switch off / Reset saturation indicator
- >>** Switch on / Power level

Intensive level

Intensive level

Illumination

- 0** Off
- I** On

