



The appliance should be installed by qualified personnel only. Each step must be carried out and checked in full in the order specified.

Validity

These installation instructions apply to the model: **620**

General notes



If fitting in flammable material, the guidelines and standards for low voltage installations and for the fire protection must be strictly observed.

Identification plate

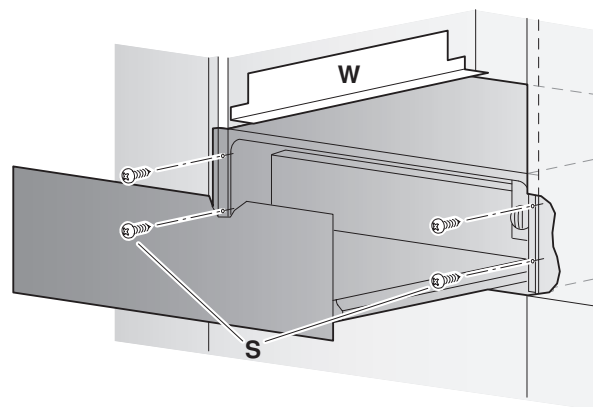
► Remove the drawer. The identification plate is located on the inside of the appliance.

Installation



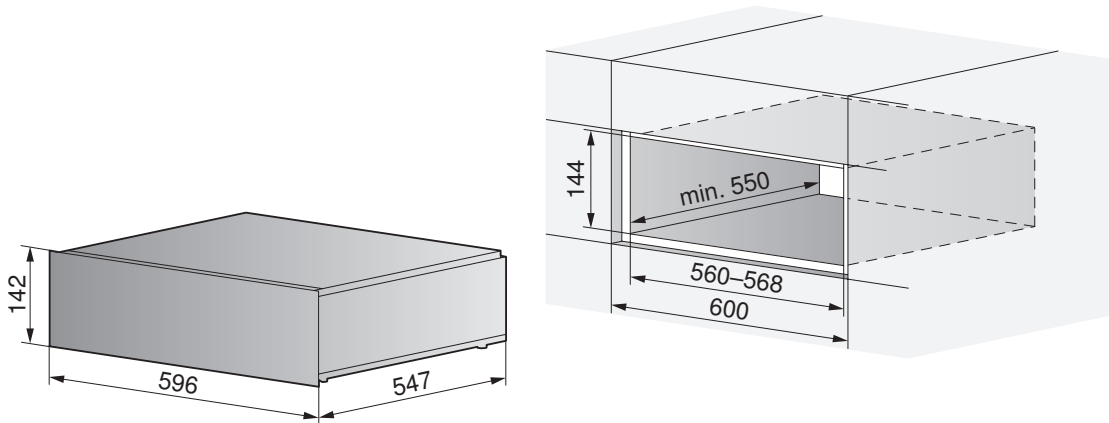
The drawer must be secured by 4 screws to prevent tipping.

1. Fix a bracket set **60 W** (not included in the scope of delivery) for an appliance located above or below.
2. Carefully slide appliance into the niche until it is flush with the front of the cabinet.
3. Open the drawer and fix in place from the front, using the 4 supplied screws **S**.





Built-in solo

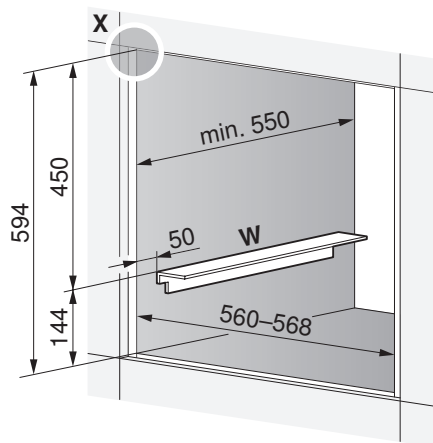
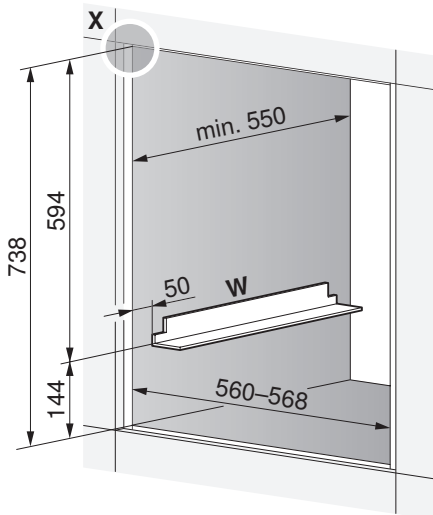


Installation combinations



If a second appliance is installed in the same niche (above or below), you should use bracket set 60 W to support the upper appliance.

Below a oven



Detail X

