

Installation instructions

Wine cooler
Type of construction 60



J629.113-1

11.8.09 ITH



The appliance should be installed by qualified personnel only. Each step must be carried out and checked in full in the order specified.

Validity

These installation instructions apply to the model: **629**

General notes



If fitting in flammable material, the guidelines and standards for low voltage installations and for the fire protection must be strictly observed.

Identification plate

► The identification plate is located inside the appliance on the bottom right-hand side.

Installation accessories included

Designation	Dimension	Number	Pos.
Support	–	2	A
Spacer plate for hinge compl.	–	2	B
Adjustment profile compl.	878 mm	1	C
Chipboard screws Pan-Head	3.5 × 12	8	S1
Countersunk chipboard screws	3.5 × 16	4	S2
Limit pin set	–	1	–

Electrical connections



Electrical connections must be carried out by trained electricians in accordance with the guidelines and standards for low voltage installations and the specifications of the local electricity supply companies.

A plug-in appliance may only be connected to a socket outlet with earthing contact, installed according to specifications. An all-pole mains isolating device with 3 mm contact opening should be provided in the house wiring system. Switches, plug and socket devices, circuit breakers and fusible cut-outs which are accessible after installation and which have all-poles switching are permissible as isolating devices. Effective earthing and separately installed neutral and earth conductors ensure safe and fault-free operation. After installation, live parts and cables with basic insulation must not be accessible. Old installations should always be checked.

► Information on the necessary mains voltage, type of current and fuse protection can be taken from the identification plate.



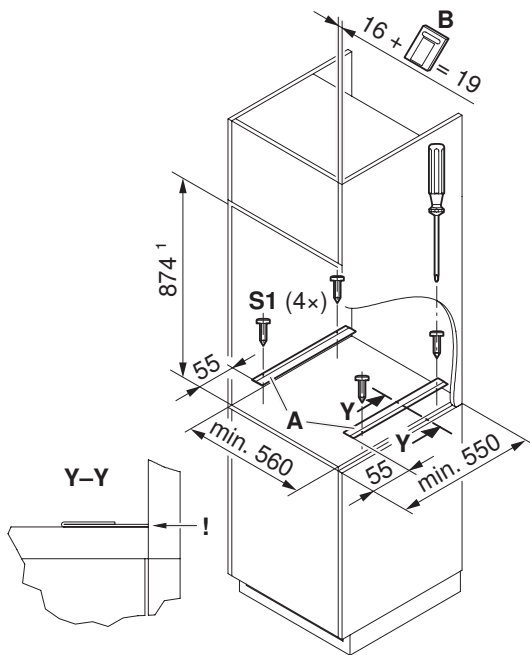
Installation

The appliance is obtainable with left or right hand opening. Subsequent modification is not possible.

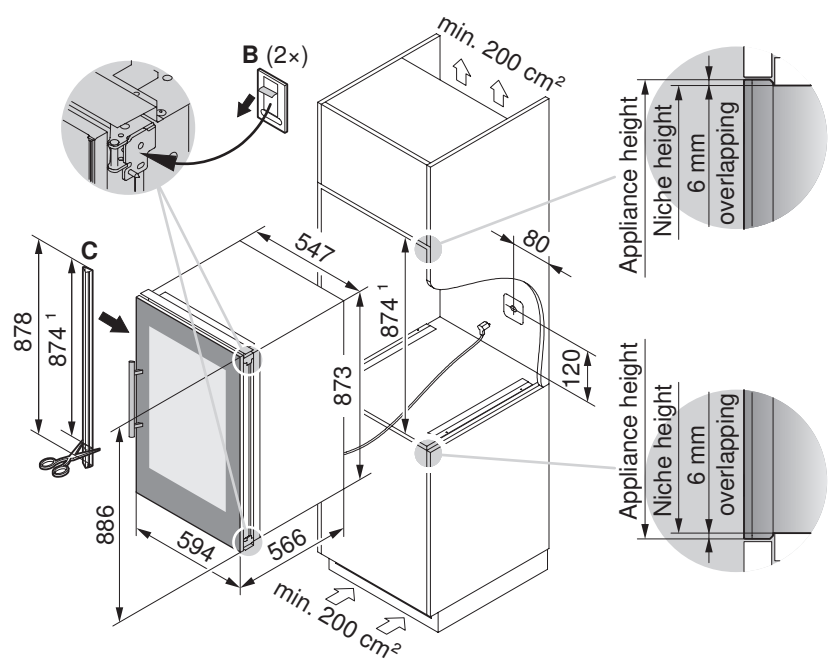


For effective ventilation an opening is required inside the appliance width (top and bottom) (page 5-13 in the Technical Kitchen Manual KVS). Small vanity apertures, even when running along several units are not sufficient.

1. Installing the supports A (installation kit H7.2435) only for niche height >877 mm

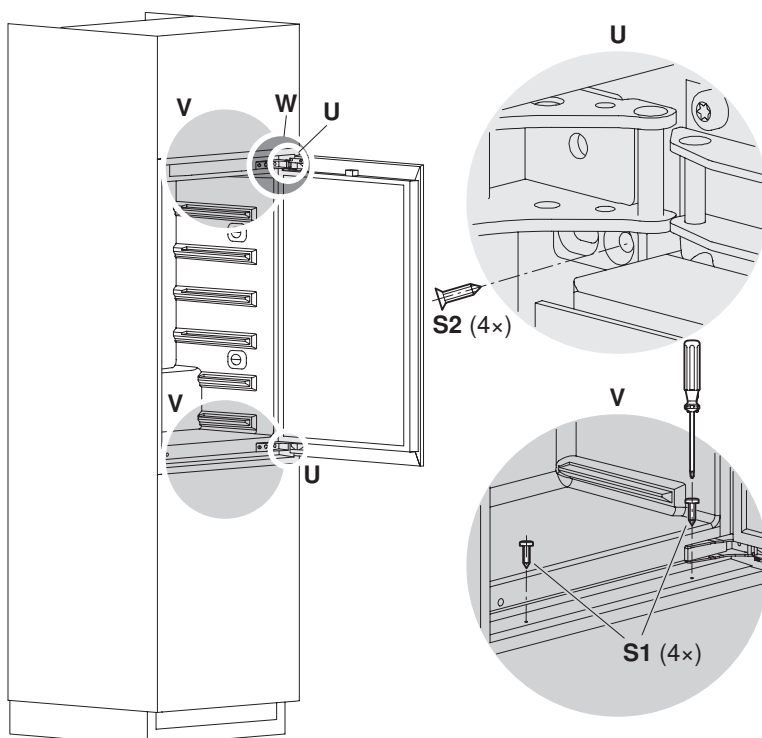


2. Installing the appliance



¹ Installing SMS: niche height 889 mm = 7/6 → use the installation kit 55 H7.2436 (option)

3. Fixing the appliance



4. Adjusting the appliance door

