

## Installation instructions

Combi-Steam cooker  
Type of construction 60-450



J864.123-0

11.12.09 SDA



The appliance should be installed by qualified personnel only. Each step must be carried out and checked in full in the order specified.

### Validity

These installation instructions apply to the model: **864**

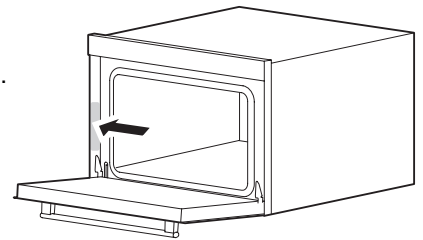
### General notes



If fitting in flammable material, the guidelines and standards for low voltage installations and for the fire protection must be strictly observed.

### Identification plate

- Open appliance door. The identification plate is located on the left trim panel (see illustration).



### Electrical connections



Electrical connections must be carried out by trained electricians in accordance with the guidelines and standards for low voltage installations and the specifications of the local electricity supply companies.

A plug-in appliance may only be connected to a socket outlet with earthing contact, installed according to specifications. An all-pole mains isolating device with 3 mm contact opening should be provided in the house wiring system. Switches, plug and socket devices, circuit breakers and fusible cut-outs which are accessible after installation and which have all-poles switching are permissible as isolating devices. Effective earthing and separately installed neutral and earth conductors ensure safe and fault-free operation. After installation, live parts and cables with basic insulation must not be accessible. Old installations should always be checked.

- Information on the necessary mains voltage, type of current and fuse protection can be taken from the identification plate.

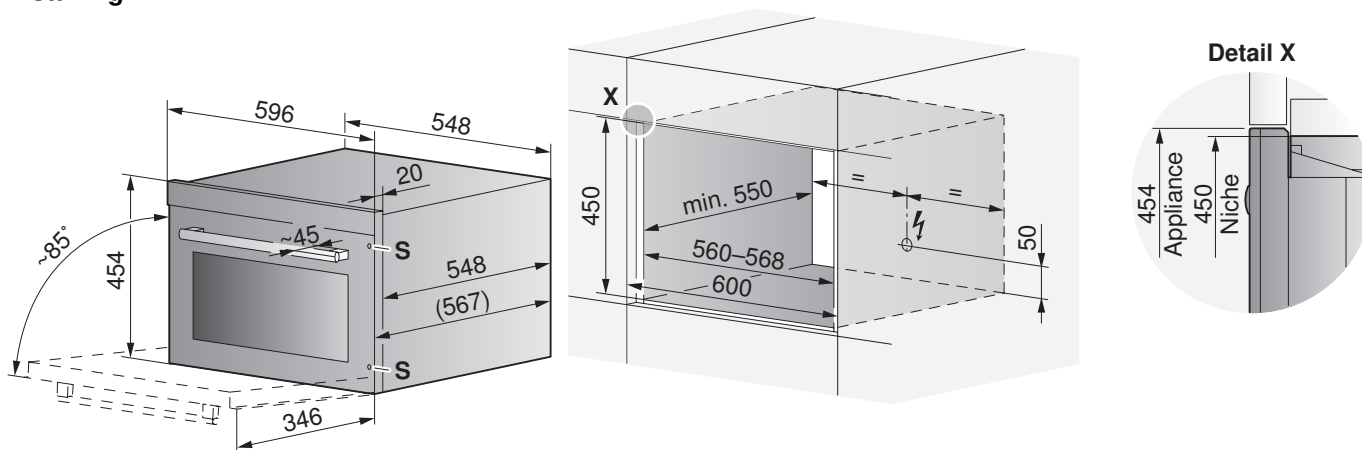


## Installation



It is not possible to install the appliance above an extractor oven because of the extraction pipes that lead upwards.

### Installing



1. Place appliance in front of the niche and insert the mains plug.
2. Carefully slide appliance into the niche until it is flush with the front of the cabinets, ensuring that the mains cable is not pinched.
3. Open appliance door and fasten the sides from the front with the 4 enclosed screws **S**.

### Installation combinations



If a second appliance is installed in the same niche (above or below), you should use bracket set 60 **W** to support the upper appliance.

