

Installation instructions

Range hood DI-M10, DI-M12, DI-B10, DI-B14

Island hood

Operating modes: extracted air / recirculation air



J996.113-0

3.2.10 ITH



The appliance should be installed by qualified personnel only. Each step must be carried out and checked in full in the order specified.

Validity

These installation instructions apply to the models:

996 (DI-M10, construction width 100 cm)

997 (DI-M12, construction width 120 cm)

816 (DI-B10, construction width 100 cm)

821 (DI-B14, construction width 140 cm)

General notes



With the simultaneous operation of firing (e.g. wood, gas, oil or coal-fired heating systems), safe operation is only possible providing a room negative pressure of 4 Pa (0.04 mbar) is not exceeded at the location of the appliance. Risk of toxic fumes! An adequate flow of fresh air must be guaranteed, e.g. via non-closable openings in doors and windows and combined with ventilation wall bricks for incoming and exhaust air or by other technical means.



If the appliance is installed over hobs, each cooking zone must be fitted with an ignition fuse and the minimum distances (see «Dimensions») must be adhered to.



Efficient repairs can only be guaranteed if it is possible to disconnect the appliance at any time without causing any damage.

Identification plate

► Remove grease filter. The identification plate is on the inside of the appliance.

Supplied installation accessories

All fixing elements are contained in the scope of delivery.

Extraction mode



The extracted air must not be fed into a chimney which is used for exhausting fumes from appliances burning gas or other fuels.

Always observe the fire regulations.

Special tool

If the total hood height is >1250 mm:

Extension for hexagonal socket key: Art. no. H4.1891

Electrical connections



Electrical connections must be carried out by trained electricians in accordance with the guidelines and standards for low voltage installations and the specifications of the local electricity supply companies.

A plug-in appliance may only be connected to a socket outlet with earthing contact, installed according to specifications. An all-pole mains isolating device with 3 mm contact opening should be provided in the house wiring system. Switches, plug and socket devices, circuit breakers and fusible cut-outs which are accessible after installation and which have all-poles switching are permissible as isolating devices. Effective earthing and separately installed neutral and earth conductors ensure safe and fault-free operation. After installation, live parts and cables with basic insulation must not be accessible. Old installations should always be checked.

► Information on the necessary mains voltage, type of current and fuse protection can be taken from the identification plate.

Option connection



The option may not be connected by a second side with mains voltage.

Installation instructions

Range hood DI-M10, DI-M12, DI-B10, DI-B14

Island hood

Operating modes: extracted air / recirculation air

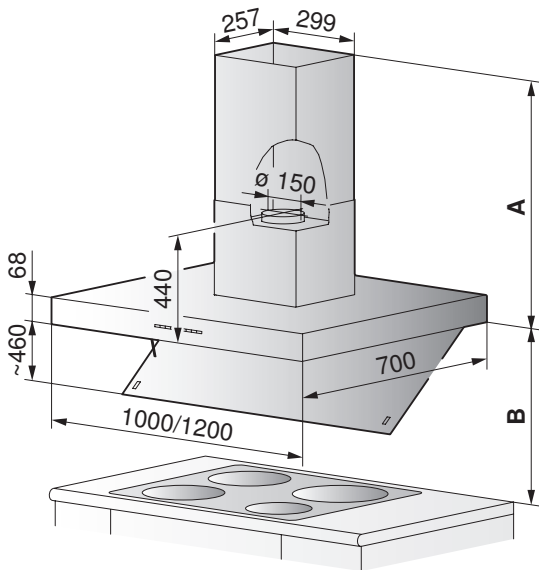


J996.113-0

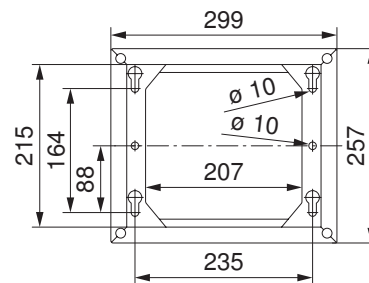
3.2.10 ITH

Dimensions

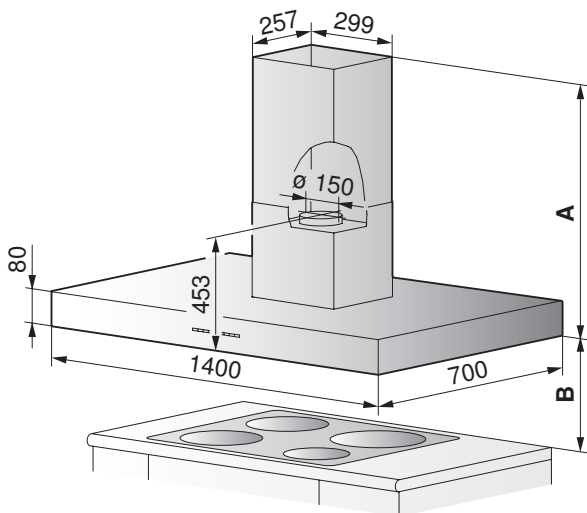
DI-M10, DI-M12, DI-B10 (without glass)



Drill plan (view from above)



DI-B14 (without glass)



Telescopic casing

(available in various heights)

Height **A**: ► see planning documents for kitchen appliances

Distance above hob

Minimum height **B**:

For electric hob: min. 600 mm

For gas hob: min. 750 mm

Installation instructions

Range hood DI-M10, DI-M12, DI-B10, DI-B14

Island hood

Operating modes: extracted air / recirculation air



J996.113-0

3.2.10 ITH

Installation

Indications

- Avoid routing the exhaust air pipeline to the side through the flue casing.
- Planning features for non-destructive de-installation and maintenance of the appliance:
 - Do not route telescopic casing in suspended ceilings.
 - Avoid silicon joints between the telescopic casing and the appliance.
 - All plastering, plasterboarding, wall papering or painting work is to be carried out prior to the appliance installation.

Installation

1. Fix paper template **C** to the ceiling. Drill 4 holes (\varnothing 10 mm) for screws **S1** and 2 holes (\varnothing 6 mm) for safety screws **S2** in the middle and insert plugs.
2. Only for extraction mode: Fix exhaust air hose to exhaust air pipe (min. \varnothing 150 mm) in the ceiling.
3. Fix upper lagging sheet **V1** to ceiling with 4 screws **S1** (\varnothing 7 x 60 mm) and 2 safety screws **S2** (\varnothing 5 x 40 mm) in the middle.
4. Only for recirculation mode: Insert from below diverter piece **E** through lagging sheet **V1** (fixed by 2 magnets).
5. Slide lower lagging sheet **V2** over upper lagging sheet **V1** and attach with adhesive strips **D**.
6. Fix exhaust air hose to exhaust air connector. Ensure hose is free from kinks and is stretched.
7. Execute the electrical connection (see section «Electrical connections»).
8. Fix hood to upper lagging sheet **V1** with 4 screws **S3** (M5 x 12 mm).
9. Remove adhesive strips **D** and position lower lagging sheet **V2** correctly on the hood.

