

Installation instructions

Induction glass ceramic hob
Frameless, for flush installation



J31018.123-1

9.7.14



The appliance should be installed by qualified personnel only. Each step must be carried out and checked in full in the order specified.

Validity

These installation instructions apply to the model: **31018** (GK46TIG.1F)

General notes

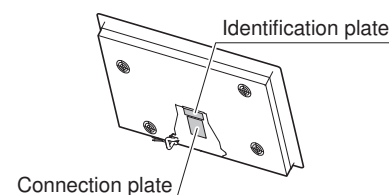


If fitting in flammable material, the guidelines and standards for low voltage installations and for the fire protection must be strictly observed.

Identification plate

The identification plate is next to the connection plate.

- ▶ Affix the second identification plate (enclosed) in an accessible position behind the front of the fitted cabinet beneath the appliance.



Installation accessories included

Designation	Art. no.
Cementing-in instructions	J004.133
Sealing strip set	H6.2142

Accessories

Designation	Art. no.
Steel angle set Installation dimension 60	H6.3772
Ventilation protection plate set For niche width 550–600 mm For niche width 800–900 mm	H6.1082 H6.1083
Instant adhesive for the installation of the steel angle Permabond F246, incl. Activator, 50 ml tube. From Silitech AG, 3008 Bern.	B11.502
Cement set Complete with cleaning agent, primer type 1105, cartridge with silicon adhesive, black with nozzle. Suitable for all absorbent work surface materials (wood and natural stones such as marble and granite).	86.3928.85
Special primer type 107 Suitable for non-absorbent work surface materials (not suitable for polyethylene, polypropylene or Teflon).	45.2771.76

Electrical connections



Electrical connections must be made by trained electricians in accordance with the guidelines and standards for low voltage installations and the specifications of the local electricity supply companies.

A plug-in appliance may only be connected to a socket outlet with earthing contact, installed according to specifications. An all-pole mains isolating device with 3 mm contact opening should be provided in the house wiring system. Switches, plug and socket devices, circuit breakers and fusible cut-outs which are accessible after installation and which have all-poles switching are permissible as isolating devices. Effective earthing and separately installed neutral and earth conductors ensure safe and fault-free operation. After installation, live parts and cables with basic insulation must not be accessible. Old installations should always be checked.

- ▶ Refer to the identification plate for specifications for the required mains voltage, current type and fuses.
- ▶ Application height of the appliance: up to max. 2000 m above sea level
- ▶ The appliance is equipped with a mains cable that should be connected to a distribution box by the customer.

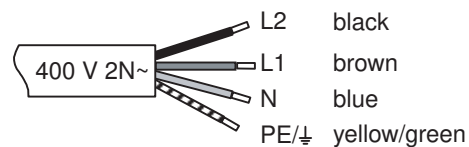
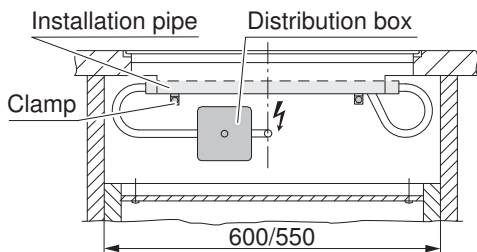
Installation instructions

Induction glass ceramic hob
Frameless, for flush installation



J31018.123-1

9.7.14



Incorrect connection: The functions are blocked.
A pole conductor was connected to the connecting terminal for neutral conductors.
Quickly disconnect the appliance from the mains!

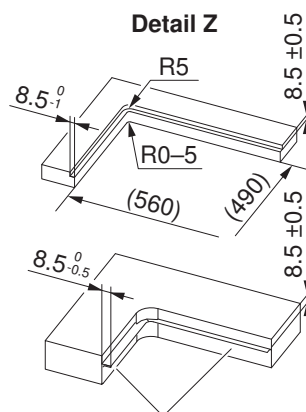
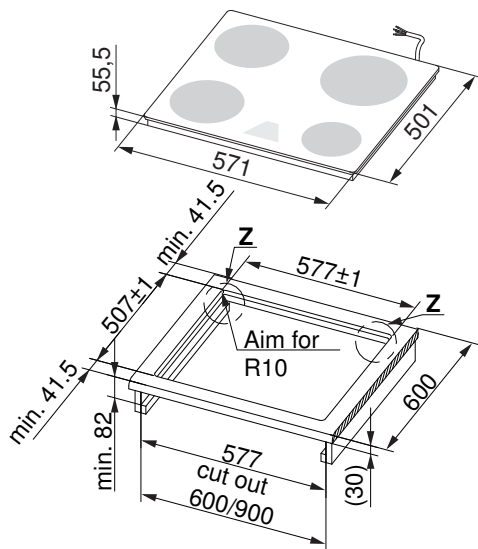
Installation

Indications

- The work surface must be flat.
- In order to guarantee good ventilation, a space of at least 2 cm height is necessary beneath the appliance.
- The installation is only possible if a short oven is combined with a ventilation grille.

Installing

The layout of the cooking zones on the integrated hob may differ from the illustrated hob!



Steel angle bonded or screw mounted
(for adhesive see «Accessories»)

1. Create the installation cut-out accurately.
 - The mounting surface can be recessed by installing wood or stone bars or produced using the steel angle set (see Accessories).



Access to the appliance from below must be guaranteed over the entire cut-out surface. For servicing, the hob trough with the induction generators can be removed from below. The covers to prevent accidental contact with live parts must be removable by unscrewing from underneath.

2. Prepare the cut-out and the appliance according to the information in the accompanying cementing-in instructions.
3. Carefully cement the appliance in place and allow the silicon cement joints to dry for at least 24 hours.
4. Where necessary establish the mains supply connection before inserting the appliance.

Installation instructions

Induction glass ceramic hob
Frameless, for flush installation

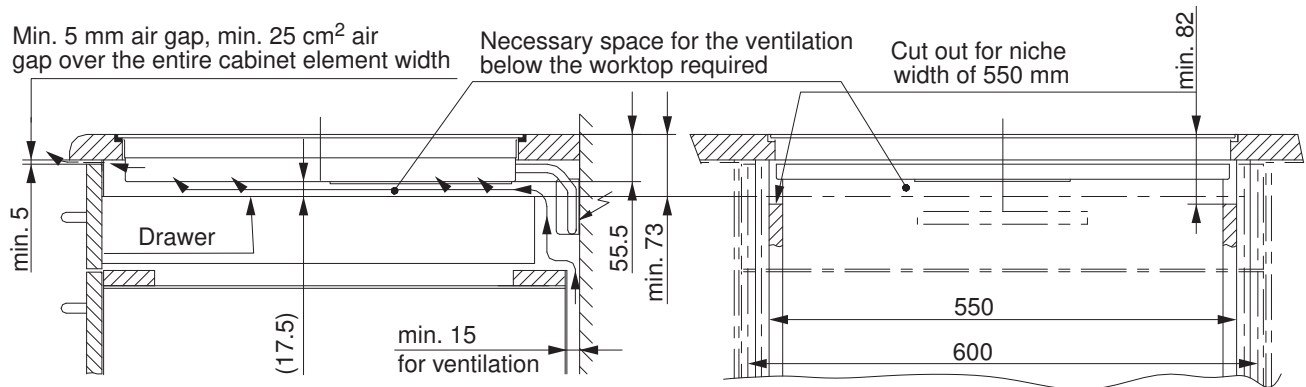


J31018.123-1

9.7.14

Cool air supply if installed over a drawer or cabinet

In order to guarantee good ventilation, there needs to be a space of at least 2 cm height beneath the appliance.



Installing the protective plate with a 3 mm ventilation gap at the front (see 'Accessories')



A protective plate is necessary for the adequate ventilation of the hob.

The distance between the underside of the appliance and the protective plate must be at least 17.5 mm.

A protective plate cannot be installed with induction hobs that have dial controls.

