



The appliance should be installed by qualified personnel only.
Each step must be carried out and checked in full in the order specified.

Validity

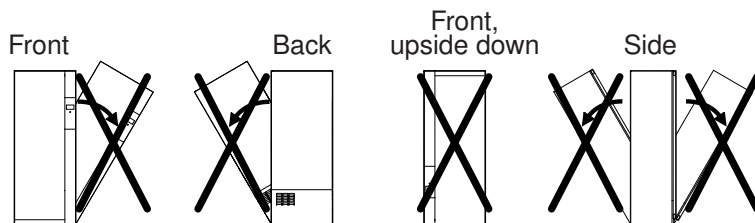
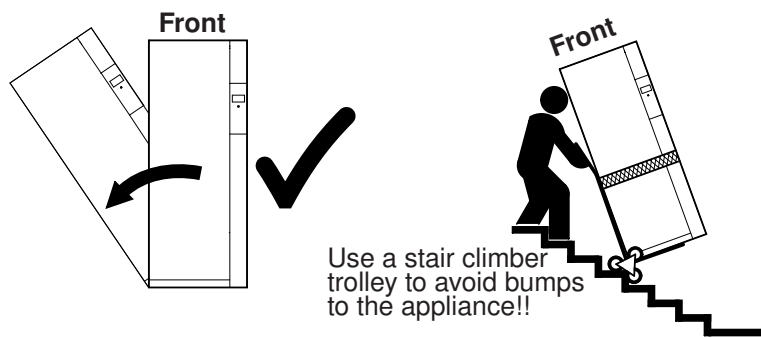
These installation instructions apply to the model: 14001, 14002

Transport



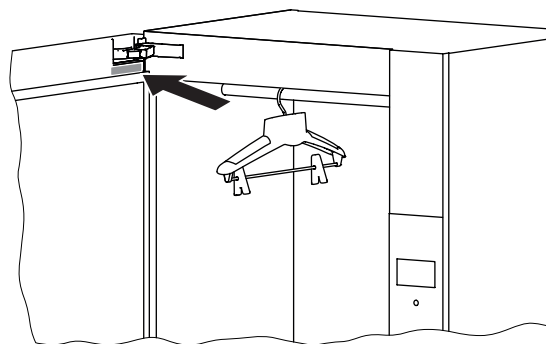
Transport the appliance in an upright position only! Transporting it in any other position will result in damage to the appliance! When carried carefully without being shaken, the appliance may be tilted a maximum of 90° to the left (viewed from the front).

The appliance must be allowed to stand in the standard operating position for about 2 hours before using the heat pump. Failure to observe this can result in damage to the appliance.



Identification plate

- Open the appliance door.
 - The identification plate is located on the inside of the appliance door at the top (see arrow).





Electrical connections


 **Electrical connections must be carried out by qualified personnel in accordance with the guidelines and standards for low-voltage installations and the specifications of the local electricity supply companies.**

A plug-in appliance may only be connected to a socket outlet with earthing contact, installed according to specifications. An all-pole mains isolating device with 3 mm contact opening should be provided in the house wiring system. Switches, plug and socket devices, circuit breakers and fusible cut-outs which are accessible after installation and which have all-poles switching are permissible as isolating devices. Effective earthing and separately installed neutral and earth conductors ensure safe and fault-free operation. After installation, live parts and cables with basic insulation must not be accessible. Check old installations.

- ▶ The appliance is designed for use up to a max. altitude of 2000 m above sea level.
- ▶ Refer to the identification plate for information on the required mains voltage, current type and fuse protection.

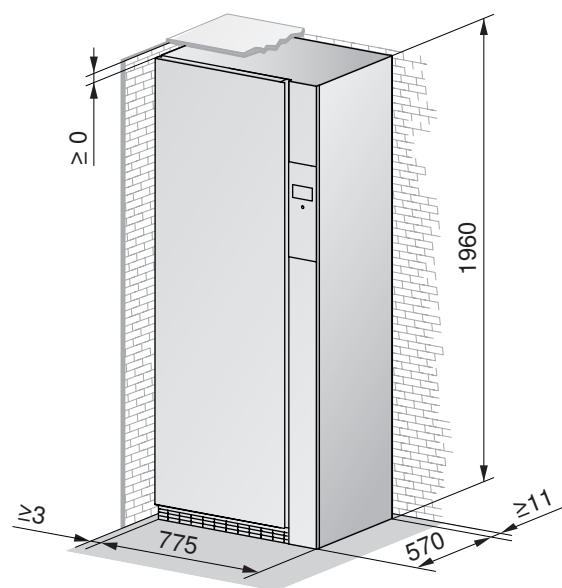
 **The mains plug must not be cut off.**

Installation

 **Do not install the appliance behind a door that locks, a sliding door or a door with a hinge that lies opposite the hinge of the appliance.**

Free-standing position

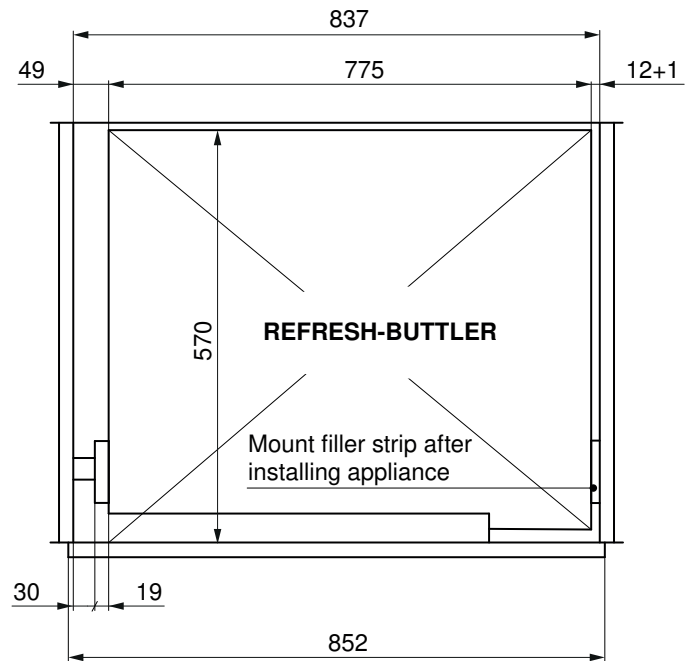
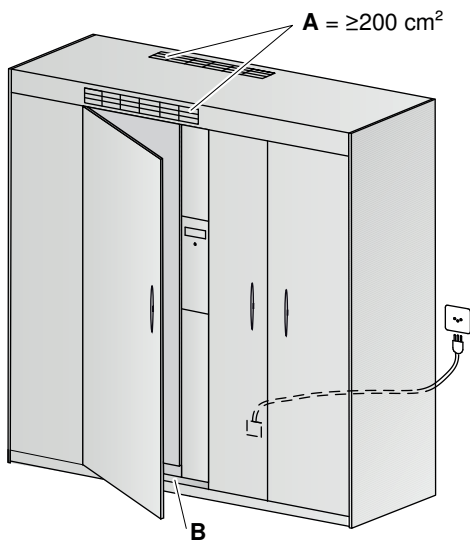
 **When positioning a REFRESH-BUTLER so that it is free-standing, a distance of min. 3 mm must be kept to the walls to the left and right.**





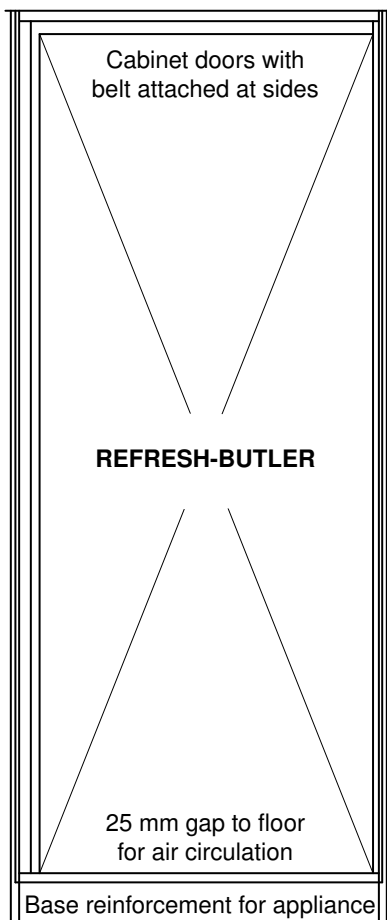
Positioning in a niche

Door across entire width of opening, not connected to door of REFRESH-BUTLER

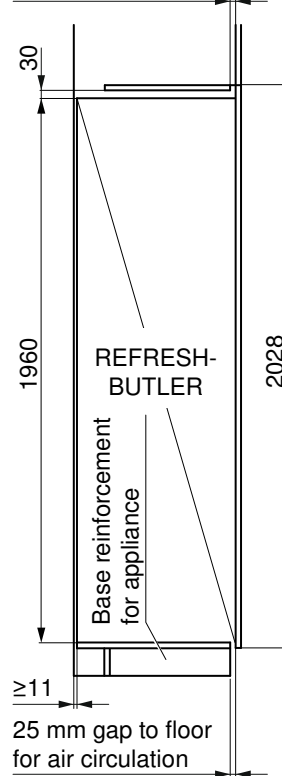


A: Ventilation slit on the top at the back or above the cabinet door

B: Load-bearing capacity of cabinet floor: min. 170 kg

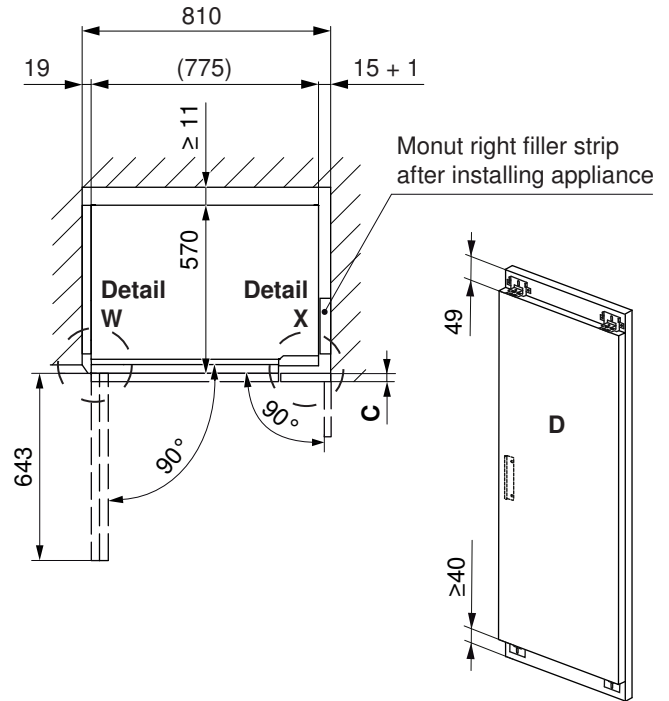
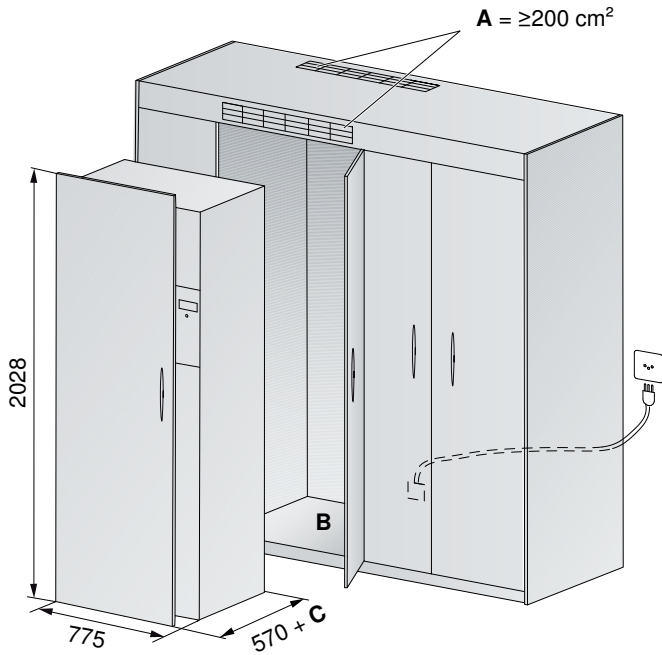


25 mm gap to ceiling for air circulation

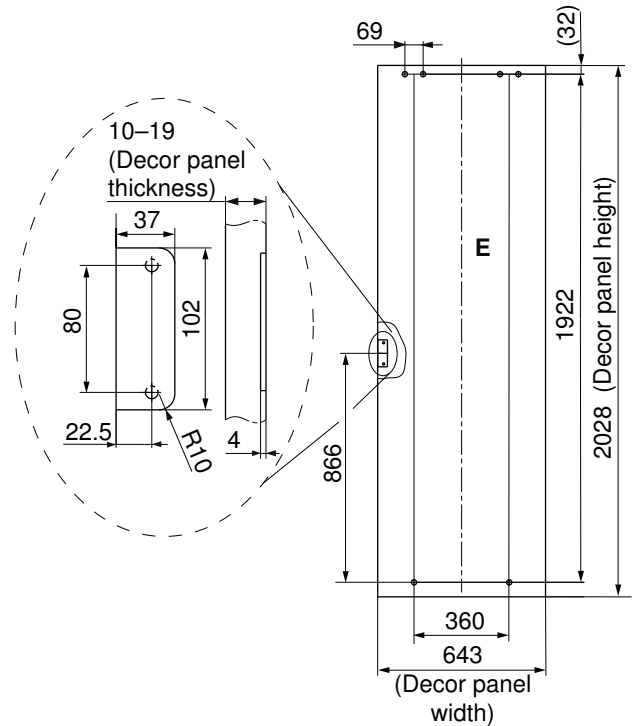
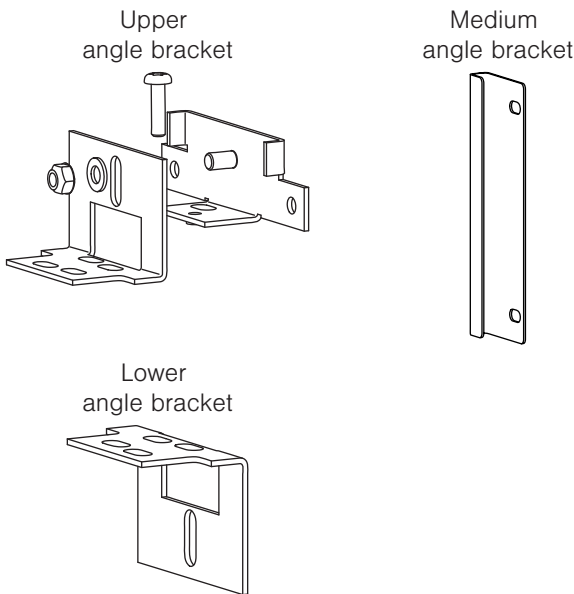




Positioning in a niche (decor panel fixed to door of REFRESH-BUTLER)



Angle bracket (see installation set W56295):



- A** Ventilation slit on the top at the back or above the cabinet door
- B** Load-bearing capacity of cabinet floor: min. 170 kg + weight of decor panel
- C** Thickness of decor panel

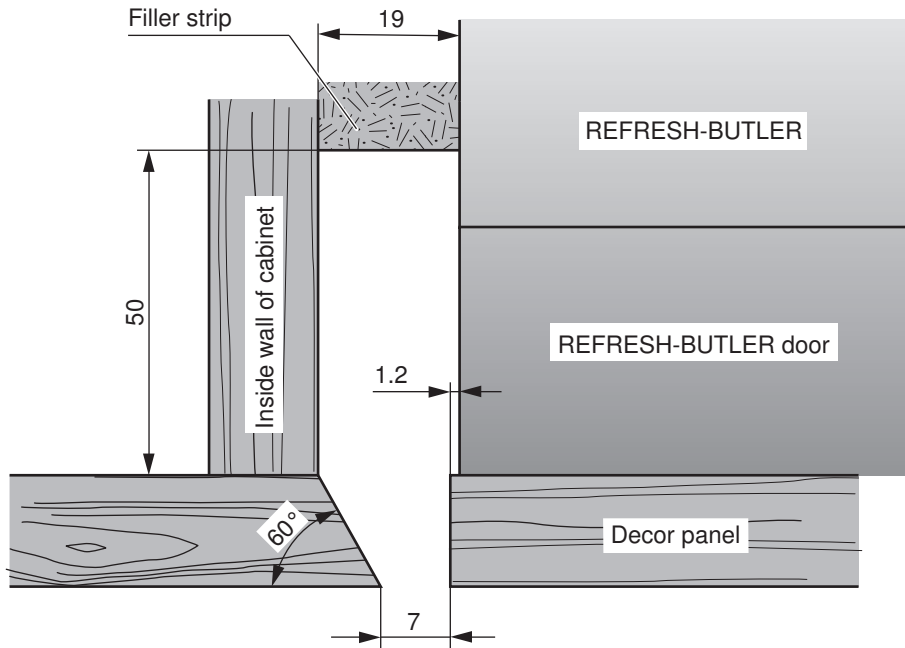
- D** REFRESH-BUTLER door with decor panel and five angle brackets*
 Maximum permissible weight of decor panel: 35 kg

- E** Installation drawing for decor panel

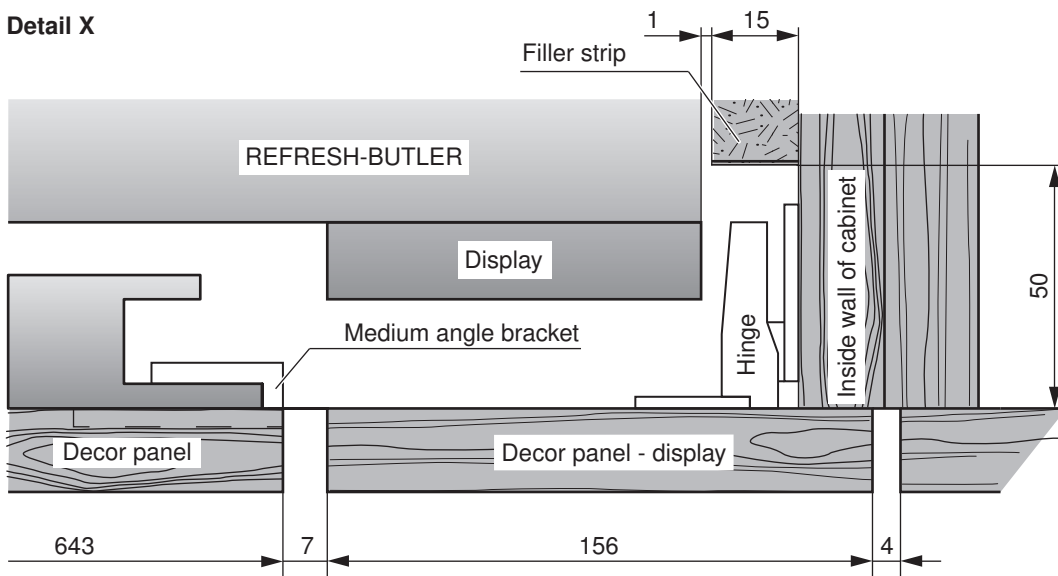
* Angle brackets are included in the scope of delivery (see installation set W56295)

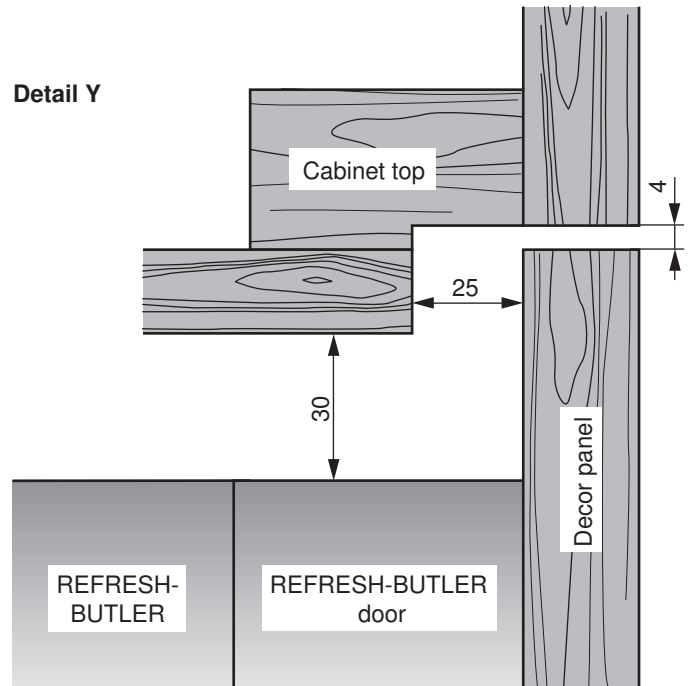
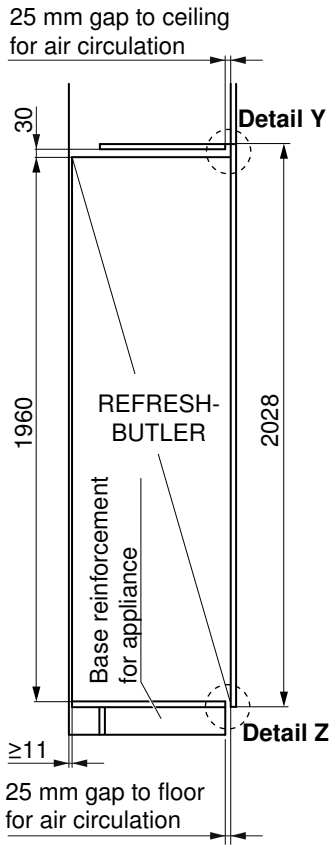


Detail W

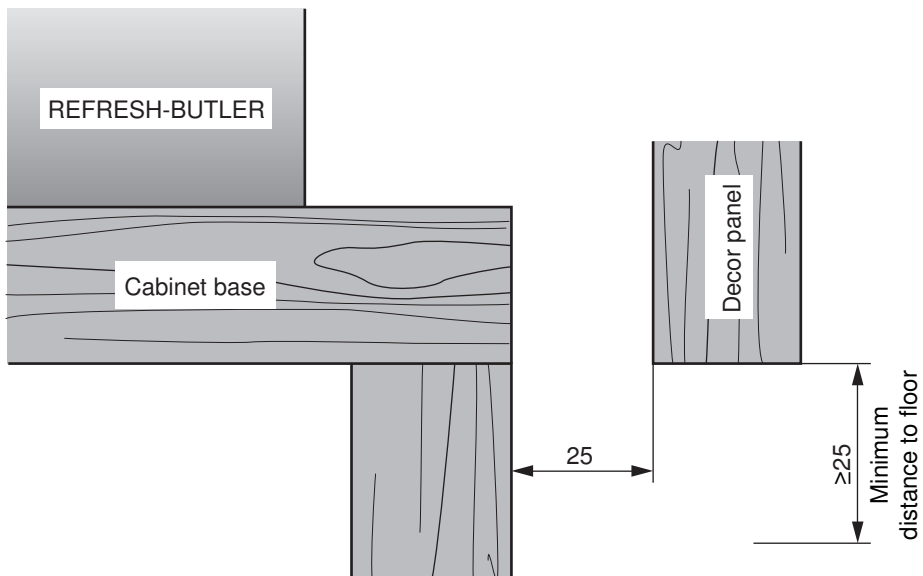


Detail X





Detail Z





Levelling



To ensure fault-free operation, the appliance must stand level with all 4 feet firmly on the ground and not wobble.

Setting the height

Tools: Open-end wrench (SW 10) **K** and spirit level **L**

Rear adjuster feet:

Maximum height adjustment of 14 mm / 1.5 mm per turn.

- ▶ Align the appliance vertically by turning the feet with the wrench **K**.

Front adjuster feet:

- ▶ Align the appliance vertically by turning the feet with the wrench **K**.
 - The appliance must not wobble!

