

## Installation instructions

Range hood

Operating modes: Extraction/recirculation

DFPQSL5/DFPQSL6/DFPQSL9



1039452-R01

13/12/2017



**The appliance should be installed by qualified personnel only.  
Each step must be carried out and checked in full in the order specified.**

### Validity

These installation instructions apply to:

**61036** (DFPQSL5, construction width 55 cm)

**61037** (DFPQSL6, construction width 60 cm)

**61038** (DFPQSL9, construction width 90 cm)

### General notes



**If other firing systems are being used at the same time (e.g. wood, gas, oil or coal fired heating appliances), safe operation is only possible providing a room negative pressure of 4 Pa (0.04 mbar) is not exceeded at the location of the appliance.**

**Risk of toxic fumes! An adequate flow of fresh air must be guaranteed e.g. via non-closable openings in doors or windows and in combination with an air-intake/exhaust-air wall box or by other technical means.**



**If the appliance is installed over hobs, each cooking zone must be fitted with an ignition fuse and the minimum distances (see section «Dimensions») must be adhered to.**



**Efficient repairs can only be guaranteed if it is possible to uninstall the complete appliance at any time without causing any damage.**

### Identification plate

► Remove the grease filters. The identification plate is located on the inside of the appliance.

### Installation accessories supplied

All fixing elements are contained in the scope of delivery.

For product family 61036, 61037:

4 × countersunk flat head screws **S2** (ø4.3 × 12.5)

4 × countersunk flat head screws **S3** (ø4.3 × 12.5)

4 × hex head screws **S4** (M4 × 20)

4 × dummy covers **J**

For product family 61038:

4 × countersunk flat head screws **S2** (ø4.3 × 12.5)

8 × countersunk flat head screws **S3** (ø4.3 × 12.5)

4 × hex head screws **S4** (M4 × 20)

12 × dummy covers **J**

### Extraction mode



**The extracted air must not be fed into a chimney which is used for exhausting fumes from appliances burning gas or other fuels.**

**Observe the local fire regulations.**

### Recirculation mode

If an exhaust air connection is not structurally possible, the range hood must be set up for recirculation operation. There is the following possibility to do this:

- Using an activated charcoal filter unit directly in the appliance.



**The cross-sectional area (air outlet area) of the ventilation grille must be at least 200 cm<sup>2</sup>.**

## Installation instructions

Range hood

Operating modes: Extraction/recirculation

DFPQSL5/DFPQSL6/DFPQSL9



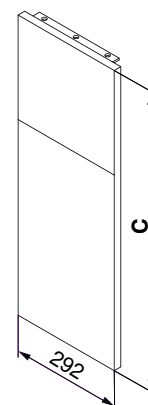
1039452-R01

13/12/2017

## Accessories

Front cover	Height C	Article no.
DFPQSL5, DFPQSL6, DFPQSL9	410–790 mm	1046971
DFPQSL5, DFPQSL6, DFPQSL9	791–1150 mm	1046972
Finished profile	Wall unit depth	
DFPQSL5	351–370 mm	1046978
DFPQSL6	351–370 mm	1046979
DFPQSL9	351–370 mm	1046980
<b>Recirculation air set for wall unit without panel</b>		H42630
<b>Long-life-Plus activated charcoal filter unit</b>		1046970
<b>Remote control</b>		1046973

Front cover



## Electrical connections



**Electrical connections must be carried out by qualified personnel in accordance with the guidelines and standards for low-voltage installations and the specifications of the local electricity supply companies.**

A plug-in appliance may only be connected to a socket outlet with earthing contact, installed according to specifications. An all-pole mains isolating device with 3 mm contact opening should be provided in the house wiring system. Switches, plug and socket devices, circuit breakers and fusible cut-outs which are accessible after installation and which have all-poles switching are permissible as isolating devices. Effective earthing and separately installed neutral and earth conductors ensure safe and fault-free operation. After installation, live parts and cables with basic insulation must not be accessible. Check old installations.

- ▶ The appliance is designed for use up to a max. altitude of 2000 m above sea level.
- ▶ Refer to the identification plate for information on the required mains voltage, current type and fuse protection.



**The mains plug must not be cut off.**

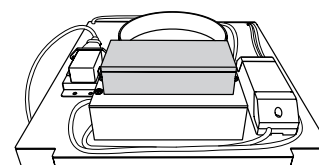
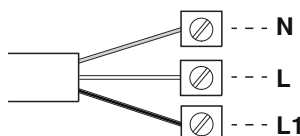
## Options connection



**The option may not be connected from a second side with mains voltage.**

**Only appliances with a direct power supply over the options connection and with a maximum output of 300 W can be operated. A relay circuit must not be operated with the options connection.**

N (red) = Neutral conductor  
L (white) = Control line (switched pole conductor)  
L1 (black) = Pole conductor



## Installation instructions

Range hood

Operating modes: Extraction/recirculation

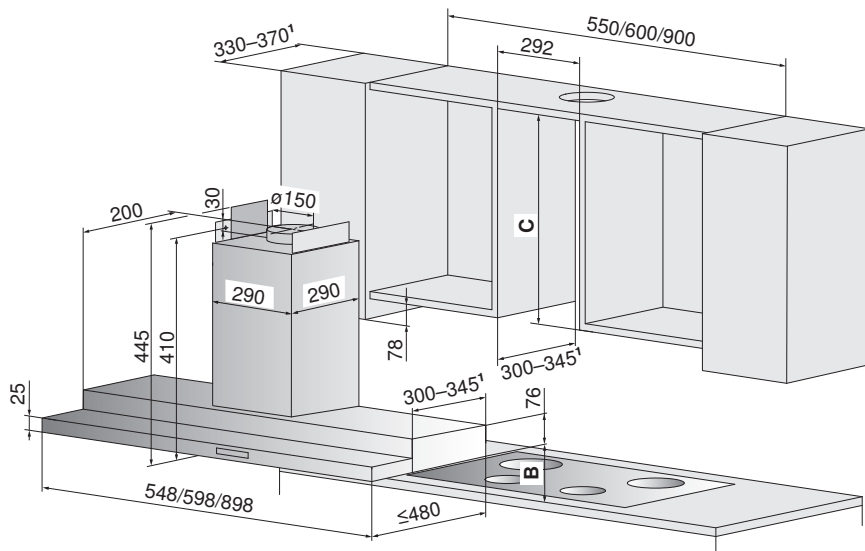
DFPQSL5/DFPQSL6/DFPQSL9



1039452-R01

13/12/2017

## Dimensions



<sup>1</sup> For wall unit depth of 351–370 mm: additional finished profile required

### Distance above hob

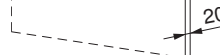
Minimum distance **B**:

For electric hob: min. 500 mm

For gas hob: min. 750 mm

### Use of stone cladding

20 mm thick wall panels (granite, marble) are possible.



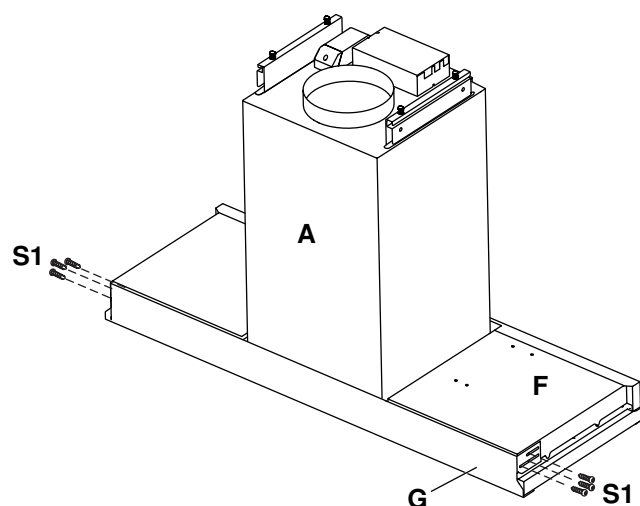
## Installation

### Note

- Avoid routing the exhaust air pipeline to the side.
- All plastering, plasterboarding, wall papering or painting work is to be carried out prior to installing the appliance.

### Installing

- ▶ Set compensator **G** using 6 screws **S1** (pre-assembled ex-factory) to correct wall unit depth. To this end, slightly loosen screws **S1**, set to required depth and then tighten screws again.



## Installation instructions

Range hood

Operating modes: Extraction/recirculation

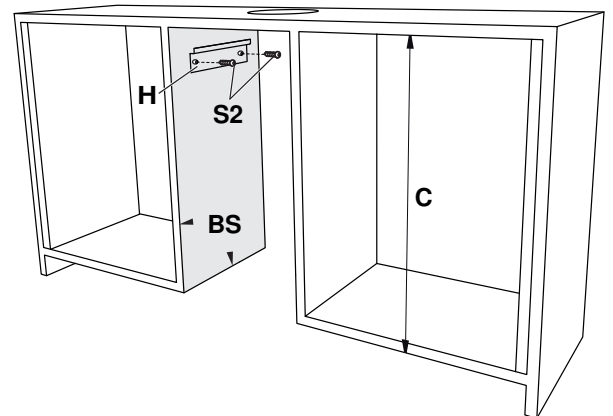
DFPQSL5/DFPQSL6/DFPQSL9



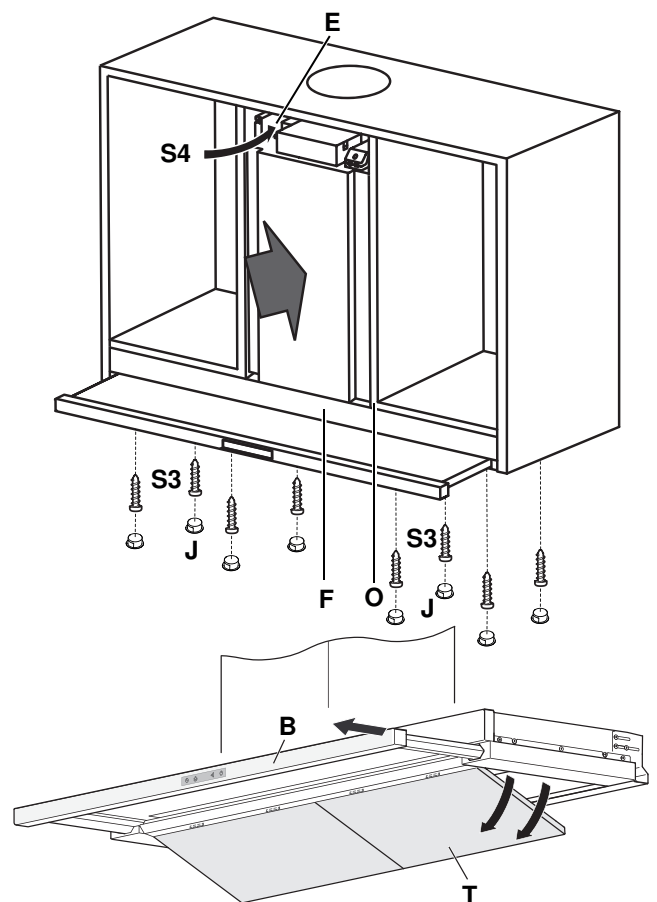
1039452-R01

13/12/2017

- ▶ Attach drill template **BS** to wall unit and prick 2 holes on both sides for screws **S2**.
- ▶ Fix each of the 2 angle brackets **H** with 2 screws **S2** to wall unit.
- ▶ **Only for 'Front cover' accessory (1046971/1046972):** Mount angle for front cover (see section on 'Front cover' in Installation instructions).



- ▶ Lightly screw 4 adjusting screws **S4** into suspension bracket **E**.
- ▶ Plug mains cable into socket on hood.
- ▶ Mount exhaust air hose to exhaust air connector. For extraction mode, if non-return valve flap is used: Test valve flap after installation to see if functioning properly.
- ▶ Push hood from the front straight into wall unit **O** until front of hood body **F** is flush with wall unit.
- ▶ Raise hood with the 4 adjusting screws **S4**.
- ▶ **Extraction mode only:** Connect exhaust air hose to exhaust air pipe wall-side.
- ▶ Pull deflector plate **B** completely out and remove grease filter **T**.
- ▶ Depending on model, screw 4 or 8 countersunk flat head screws **S3** in hood body **F** and fit dummy covers **J**.



- ▶ Set depth position of front bar taking into account decor panel thickness with stop end stop **L**.
- ▶ Insert grease filter **T**.
- ▶ Make electrical connection (see section on 'Electrical connections').
- ▶ Carry out function test.
- ▶ **Only for 'Front cover' accessory (1046971/1046972):** Mount front cover (see section on 'Front cover' in Installation instructions).

