



The appliance should be installed by qualified personnel only. Each step must be carried out and checked in full in the order specified.

Validity

These installation instructions apply to:

63006 (DIPQ13, construction width 130 cm)

63007 (DIPQ10, construction width 100 cm)

H42608 (motor housing, extraction, standard)

H42604 (motor housing, recirculation, standard, island and wall hood)

H42605 (motor housing, recirculation, short, island and wall hood)

H42774 (motor housing, extraction with options connection)

General notes



If other firing systems are being used at the same time (e.g. wood, gas, oil or coal fired heating appliances), safe operation is only possible providing a room negative pressure of 4 Pa (0.04 mbar) is not exceeded at the location of the appliance.

Risk of toxic fumes! An adequate flow of fresh air must be guaranteed e.g. via non-closable openings in doors or windows and in combination with an air-intake/exhaust-air wall box or by other technical means.



If the appliance is installed over hobs, each cooking zone must be fitted with an ignition fuse and the minimum distances (see section «Dimensions») must be adhered to.



Efficient repairs can only be guaranteed if it is possible to uninstall the complete appliance at any time without causing any damage.

Installation accessories supplied

All fixing elements are contained in the scope of delivery.

Extraction mode



The extracted air must not be fed into a chimney which is used for exhausting fumes from appliances burning gas or other fuels. Observe the local fire regulations.

Electrical connections



Electrical connections must be carried out by qualified personnel in accordance with the guidelines and standards for low-voltage installations and the specifications of the local electricity supply companies.

A plug-in appliance may only be connected to a socket outlet with earthing contact, installed according to specifications. An all-pole mains isolating device with 3 mm contact opening should be provided in the house wiring system. Switches, plug and socket devices, circuit breakers and fusible cut-outs which are accessible after installation and which have all-poles switching are permissible as isolating devices. Effective earthing and separately installed neutral and earth conductors ensure safe and fault-free operation. After installation, live parts and cables with basic insulation must not be accessible. Check old installations.

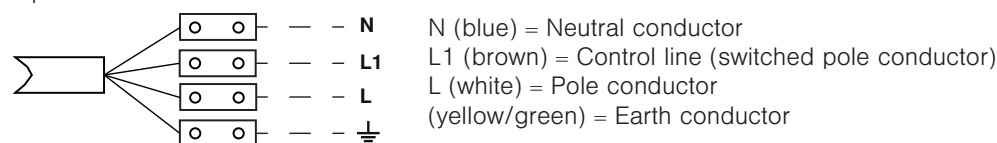
- ▶ The appliance is designed for use up to a max. altitude of 2000 m above sea level.
- ▶ Refer to the identification plate for information on the required mains voltage, current type and fuse protection.

Options connection

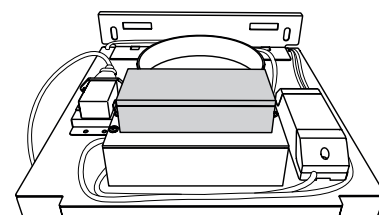
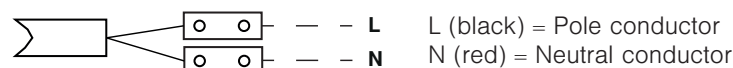


The option may not be connected from a second side with mains voltage. Only appliances with a direct power supply over the options connection and with a maximum output of 300 W can be operated. A relay circuit must not be operated with the options connection.

Options connection



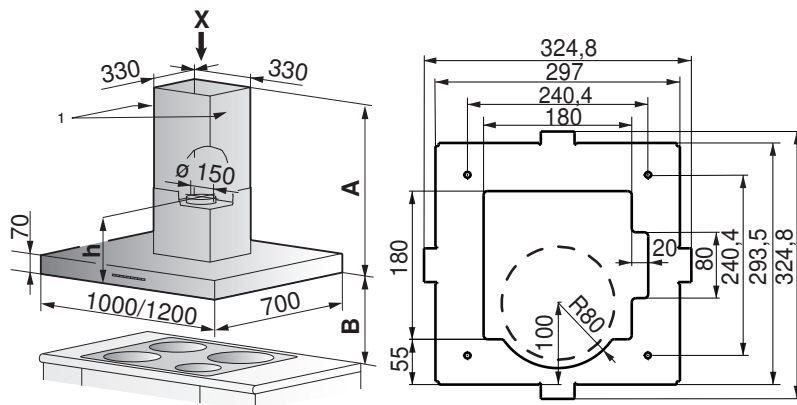
Window connection





Dimensions

Drilling plan (view X)



Telescopic casing

(available in various heights)

Height **A**: See planning aid for kitchen appliances

- h**: Extraction/recirculation 2.5 kg: 435 mm
- Extraction with metal ring: 492 mm
- Recirculation 5 kg: 580 mm

Distance above hob

Minimum distance **B**:

- For electric hob: min. 500 mm
- For gas hob: min. 650 mm

Installation

Note on installation

- Ensure the correct layout of the exhaust air duct as well as an adequate supply of intake air.
Exhaust air requires intake air.
- Avoid routing the exhaust air pipeline to the side through the flue casing.
- Planning features for non-destructive de-installation and maintenance of the appliance.
 - Do not route telescopic casing in suspended ceilings.
 - Avoid silicon joints between the telescopic casing and the appliance.
 - All plastering, plasterboarding, wall papering or painting work is to be carried out prior to installing the appliance.

Installation instructions

Island hood

Operating modes: extracted air/recirculation air

Range hood DIPQ10/13

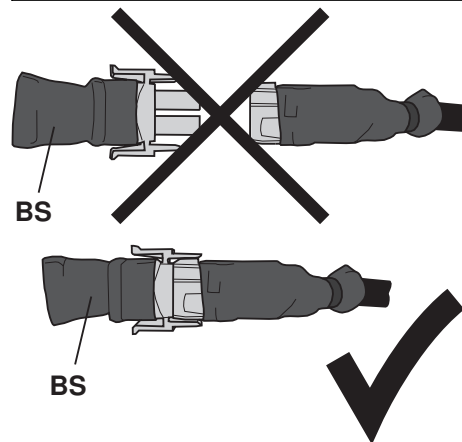
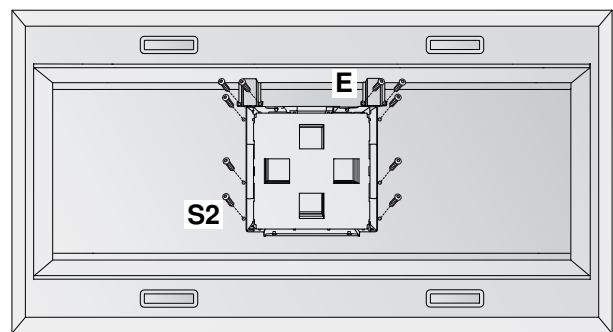
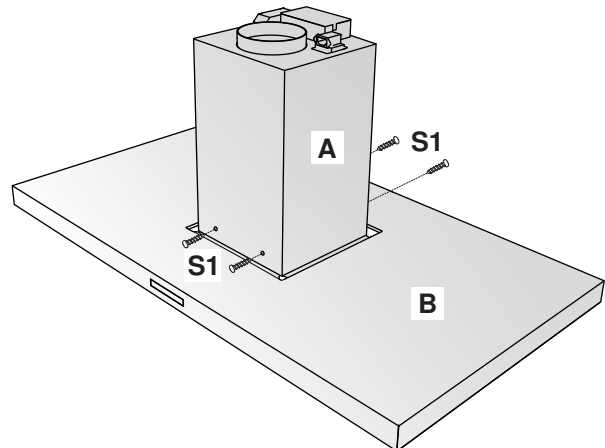


J63006113-R02

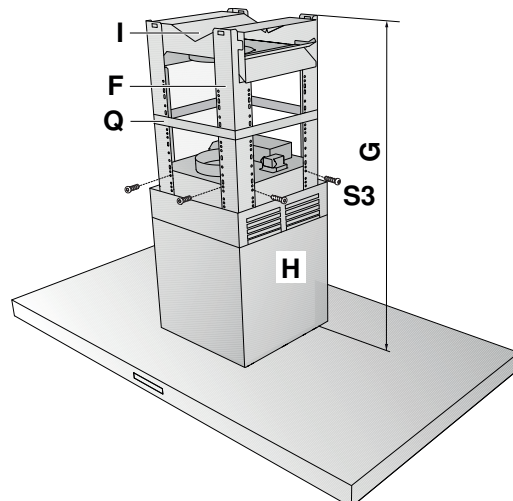
02/09/2016

Installation

1. Put motor housing **A** on hood body **B**. Ensure that no cables are trapped.
2. Screw 2 screws **S1** (M4 × 15 mm) to both the front side and the back side of the motor housing **A**.
3. Lay hood on its back.
4. Remove grease filter.
5. Screw 6 screws **S2** (∅ 3.5 × 6 mm) in hood body **B**.
6. Remove adhesive strips.
7. Connect both plugs from motor housing **A** and hood body **B**.
WARNING! Do not remove dummy connector BS of third cable as function relevant.
8. Stow cable in light bracket and mount plug cover **E** with 4 screws (∅ 3.5 × 6 mm).
9. Set hood upright again and determine hood height **G**.
10. Fix structure **F** with 12-16 screws **S3** (∅ 3.5 × 6 mm). Pay attention to hood height **G** and alignment of structure **F**, the cut-outs must be laterally aligned. If possible, install bracing ring **Q** in structure **F**.



11. Lay flue casing **H** over structure **F**. Ensure correct positioning of outlet opening.
For recirculation mode:
Adjust air outlet grille in side of upper casing to face upwards.
For extraction mode:
Adjust air outlet grille in side of upper casing to face downwards.



Installation instructions

Island hood

Operating modes: extracted air/recirculation air

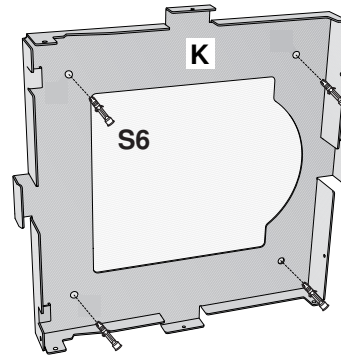
Range hood DIPQ10/13



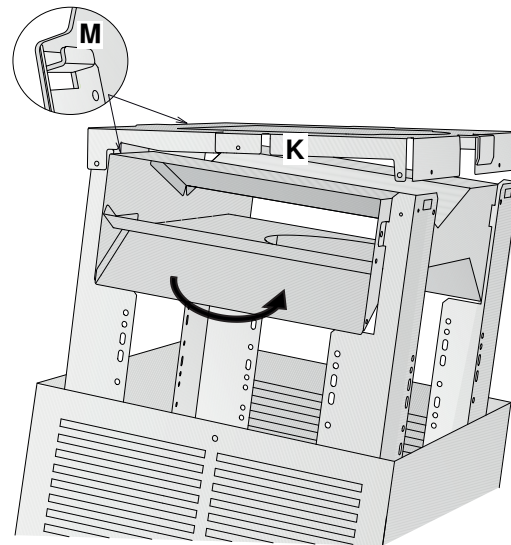
J63006113-R02

02/09/2016

12. Fix exhaust air hose to exhaust air connector. If non-return valve flap is used: After installation, test to see if functioning properly; otherwise use metal ring.
13. Only for recirculation mode:
Connect diverter piece **I** to exhaust air hose and lay in the structure.
14. Attach paper template – aligned with the middle of the hob – to the ceiling. Ensure correct alignment. Make drill holes for suitable screw mounting as per the manufacturer's instructions. See package leaflet.



15. Fit metal support **K** on the 4 screws **S6** and secure with the nuts.
16. Fit hood on the 2 hooks **M** of the metal support **K** (ensure correct alignment).
17. Swing up hood and fix with 8 screws **S8** (\varnothing 3.5 × 6 mm).



18. For recirculation mode:
Fix diverter piece **I** with 4 screws **S9** (\varnothing 3.5 × 6 mm).
For extraction mode:
Connect exhaust air hose to exhaust air pipe.
19. Make electrical connection (see section on 'Electrical connections').
20. Raise upper flue casing and fix with 2 screws **S10** (\varnothing 3.5 × 6 mm).
21. Insert grease filter.
22. Carry out function test.

