

Installation instructions

Range hood DIPQG10/DIPQG12

Island hood

Operating mode: Extraction/recirculation



J63004.113-0

02.09.14



The appliance should be installed by qualified personnel only.
Each step must be carried out and checked in full in the order specified.

Validity

These installation instructions apply to:

63004 (DIPQG9, construction width 100 cm)

63005 (DIPQG12, construction width 120 cm)

H4.2608 (motor housing, extraction, standard)

H4.2604 (motor housing, recirculation, standard, island and wall hood)

H4.2605 (motor housing, recirculation, short, island and wall hood)

H4.2774 (motor housing, extraction with options connection)

General notes



If other firing systems are being used at the same time (e.g. wood, gas, oil or coal-fired heating appliances), safe operation is only possible providing a room negative pressure of 4 Pa (0.04 mbar) is not exceeded at the location of the appliance.

Risk of toxic fumes! An adequate flow of fresh air must be guaranteed e.g. via non-closable openings in doors or windows and in combination with an air-intake/exhaust-air wall box or by other technical means.



If the appliance is installed over hobs, each cooking zone must be fitted with an ignition fuse and the minimum distances (see 'Dimensions') must be adhered to.



Efficient repairs can only be guaranteed if it is possible to uninstall the complete appliance at any time without causing any damage.

Identification plate

► Remove the grease filters. The identification plate is located on the inside of the appliance.

Supplied installation accessories

All fixing elements are contained in the scope of delivery.

Extraction mode



The extracted air must not be fed into a chimney which is used for exhausting fumes from appliances burning gas or other fuels.

Observe the local fire regulations.

Installation instructions

Range hood DIPQG10/DIPQG12

Island hood

Operating mode: Extraction/recirculation



J63004.113-0

02.09.14

Electrical connections



Electrical connections must be carried out by qualified personnel in accordance with the guidelines and standards for low-voltage installations and the specifications of the local electricity supply companies.

A plug-in appliance may only be connected to a socket outlet with earthing contact, installed according to specifications. An all-pole mains isolating device with 3 mm contact opening should be provided in the house wiring system. Switches, plug and socket devices, circuit breakers and fusible cut-outs which are accessible after installation and which have all-poles switching are permissible as isolating devices. Effective earthing and separately installed neutral and earth conductors ensure safe and fault-free operation. After installation, live parts and cables with basic insulation must not be accessible. Check old installations.

The appliance is designed for use up to a max. altitude of 2000 m above sea level.

Refer to the identification plate for information on the required mains voltage, current type and fuse protection.



Do not cut off the plug.

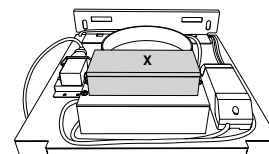
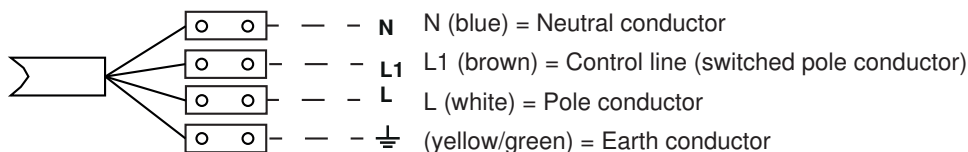
Options connection



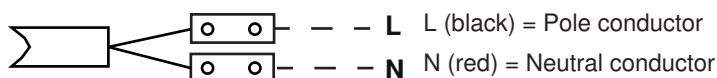
The option may not be connected from a second side with mains voltage.

View X

Options connection



Window connection



Installation instructions

Range hood DIPQG10/DIPQG12

Island hood

Operating mode: Extraction/recirculation

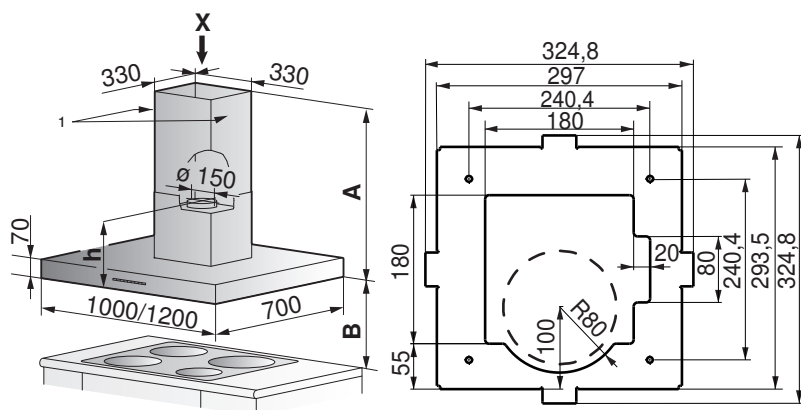


J63004.113-0

02.09.14

Dimensions

Drilling plan (view X)



Telescopic casing

(available in various heights)

Height **A**: See planning aid for kitchen appliances

h: Extraction/recirculation 2.5 kg: 435 mm

Extraction with metal ring: 492 mm

Recirculation 5 kg: 580 mm

Distance above hob

Minimum distance **B**:

For electric hob: min. 500 mm

For gas hob: min. 650 mm

Installation instructions

Range hood DIPQG10/DIPQG12

Island hood

Operating mode: Extraction/recirculation



J63004.113-0

02.09.14

Installation

Note on installation

- Ensure the correct layout of the exhaust air duct as well as an adequate supply of intake air.
Exhaust air requires intake air.
- Avoid routing the exhaust air pipeline to the side through the flue casing.
- Planning features for non-destructive de-installation and maintenance of the appliance.
 - Do not route telescopic casing in suspended ceilings.
 - Avoid silicon joints between the telescopic casing and the appliance.
 - All plastering, plasterboarding, wall papering or painting work is to be carried out prior to installing the appliance.

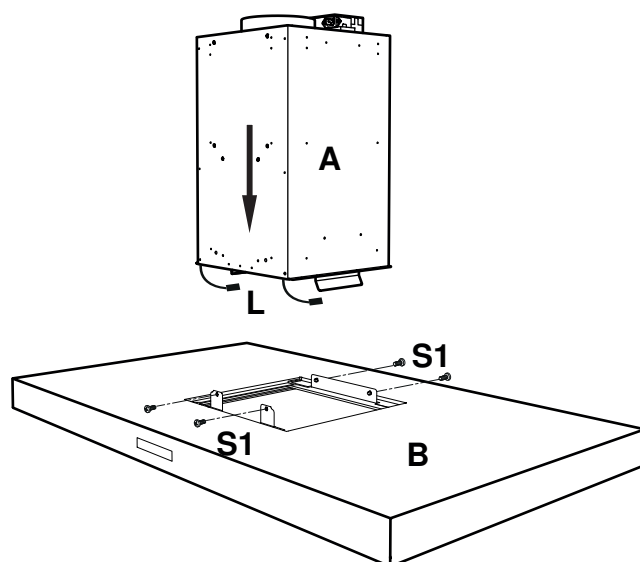
Installing

4 × **S1** (M4 × 15 mm)

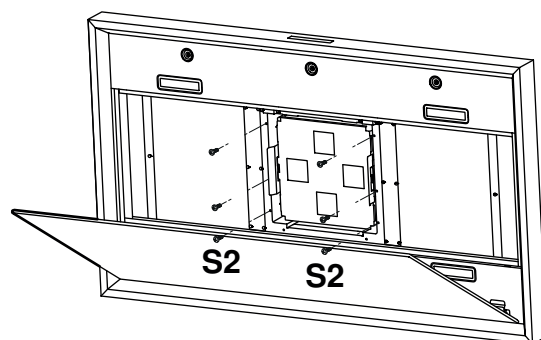
36 × **S2** (ø 3.5 × 6 mm)

6 × **S3** (ø 5 × 40 mm)

1. Align motor housing **A** so cables **L** are at the front. Put motor housing **A** on hood body **B**. Ensure that no cables are trapped.
WARNING: Protect the glass cover!
2. Screw 2 screws **S1** (M4 × 15 mm) to both the front side and the back side of the motor housing **A**.



3. Lay hood on its back. Open glass cover, supporting it.
4. Remove grease filter.
5. Screw 6 screws **S2** (ø 3.5 × 6 mm) in hood body **B**.



Installation instructions

Range hood DIPQG10/DIPQG12

Island hood

Operating mode: Extraction/recirculation

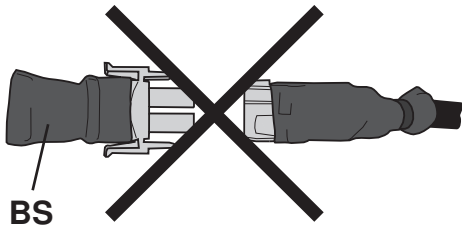


J63004.113-0

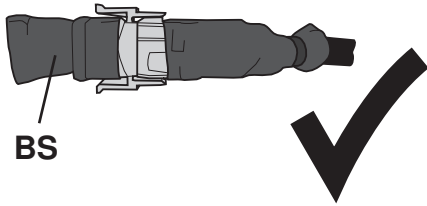
02.09.14

6. Connect flat-pin plug for operation and small 2-pin plug for lights. 2 plug connector pairs must be connected in total.

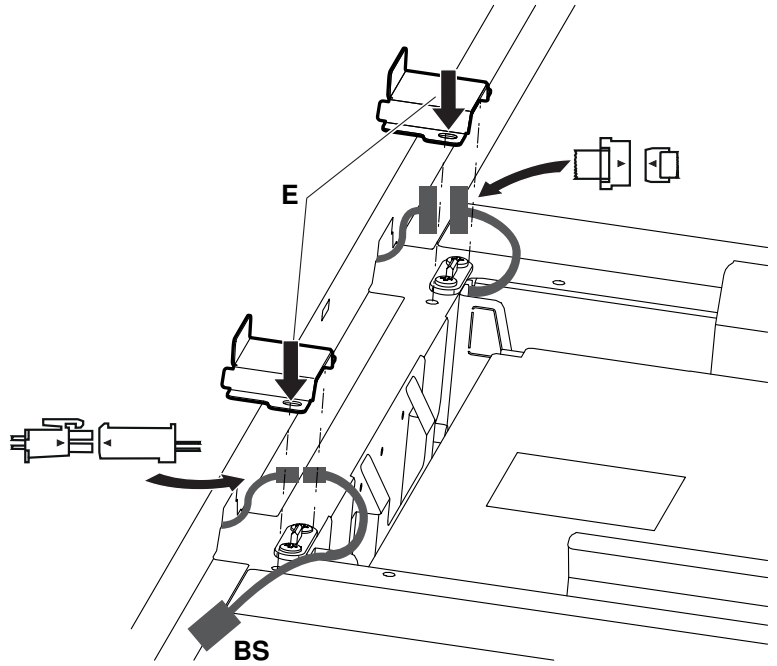
WARNING! Do not remove dummy connector BS of third cable as function relevant.



BS



BS



7. Stow away cable in hood body and mount plug cover **E** with 4 screws **S2** (\varnothing 3.5 x 6 mm).

8. Close glass cover, upright hood and determine hood height **G**.

WARNING: Protect the glass cover!

9. Fix structure **F** with 12-16 screws **S2** (\varnothing 3.5 x 6 mm). Pay attention to hood height **G** and alignment of structure **F**, the cut-outs must be laterally aligned. If blow-out opening should be at front and back, the structure must be turned accordingly. If possible, install bracing ring **Q** in structure **F**.

10. Lay flue casing **H** over structure **F**. Ensure correct positioning of outlet opening.

For recirculation mode:

Adjust air outlet grille of upper casing to face upwards.

Air outlet grille must be in front of blow-out opening.

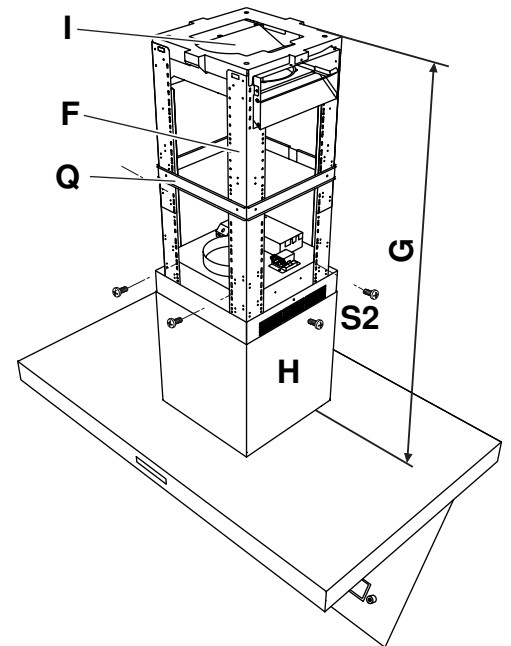
For extraction mode:

Adjust air outlet grille of upper casing to face downwards.

11. Fix exhaust air hose to exhaust air connector. If non-return valve flap is used, test after installation to see if functioning properly; use metal ring if needed.

12. Only for recirculation mode:

Connect diverter piece **I** to exhaust air hose and lay in the structure.



Installation instructions

Range hood DIPQG10/DIPQG12

Island hood

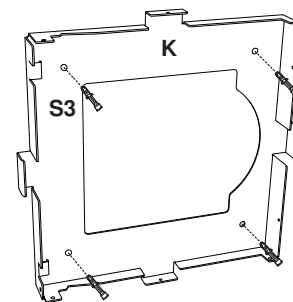
Operating mode: Extraction/recirculation



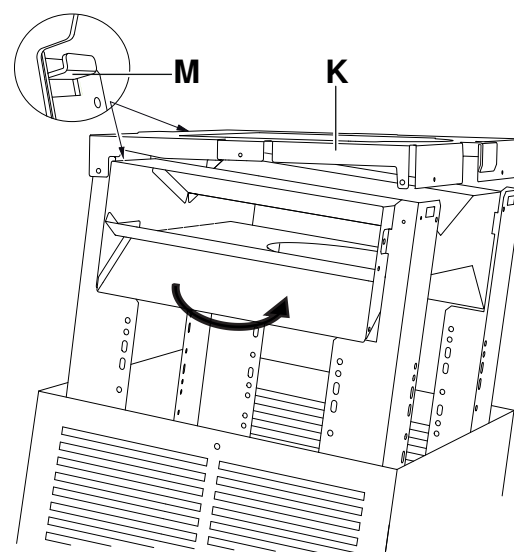
J63004.113-0

02.09.14

13. Attach paper template – aligned with the middle of the hob – to the ceiling. Ensure correct alignment. Make drill holes for suitable screw mounting as per the manufacturer's instructions. See package leaflet.
14. Fit metal support **K** on the 4 screws **S3** and secure with the nuts.



15. Fit hood on the 2 hooks **M** of the metal support **K** (ensure correct alignment).
16. Swing up hood and fix with 8 screws **S2** (\varnothing 3.5 x 6 mm).



17. For recirculation mode:
Fix diverter piece **I** with 4 screws **S2** (\varnothing 3.5 x 6 mm).
For extraction mode:
Connect exhaust air hose to exhaust air pipe.
18. Make electrical connection (see section on 'Electrical connections').
19. Raise upper flue casing **H** and fix with 2 screws **S2** (\varnothing 3.5 x 6 mm).
20. **ATTENTION!** The combi filter is separately packaged.
21. Insert grease filter.
22. Carry out function test.

