

## Installation instructions

Glass ceramic hob Toptronic  
Frameless, for flush installation



J039123-R02



The appliance should be installed by qualified personnel only. Each step must be carried out and checked in full in the order specified.

### Validity

These installation instructions apply to the model: **032** (GK45TEBS.1F), **039** (GK45TEBSF), **97A** (GK45TESF)

### General notes

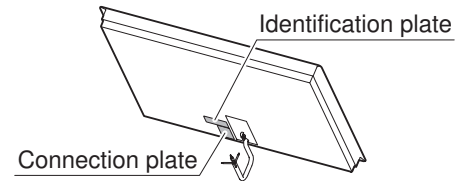


If fitting in flammable material, the guidelines and standards for low voltage installations and for the fire protection must be strictly observed.

### Identification plate

The identification plate is next to the connection plate.

- Affix the second identification plate (enclosed) in an accessible position behind the front of the fitted cabinet beneath the appliance.



### Installation accessories included

Designation	Art. no.
Cementing-in instructions	J004133
Sealing strip set	H62142

### Accessories

Designation	Art. no.
Steel angle set	H62084
Thermal screen set	H62622
Instant adhesive for the installation of the steel angle Permabond F246, incl. Activator, 50 ml tube. From Silitech AG, 3008 Bern.	B11.502
Cement set Complete with cleaning agent, primer type 1105, cartridge with silicon adhesive, black with nozzle. Suitable for all absorbent work surface materials (wood and natural stones such as marble and granite).	86.3928.85
Special primer type 107 Suitable for non-absorbent work surface materials (not suitable for polyethylene, polypropylene or Teflon).	45.2771.76

### Electrical connections



Electrical connections must be made by trained electricians in accordance with the guidelines and standards for low voltage installations and the specifications of the local electricity supply companies.

A plug-in appliance may only be connected to a socket outlet with earthing contact, installed according to specifications. An all-pole mains isolating device with 3 mm contact opening should be provided in the house wiring system. Switches, plug and socket devices, circuit breakers and fusible cut-outs which are accessible after installation and which have all-poles switching are permissible as isolating devices. Effective earthing and separately installed neutral and earth conductors ensure safe and fault-free operation. After installation, live parts and cables with basic insulation must not be accessible. Old installations should always be checked.

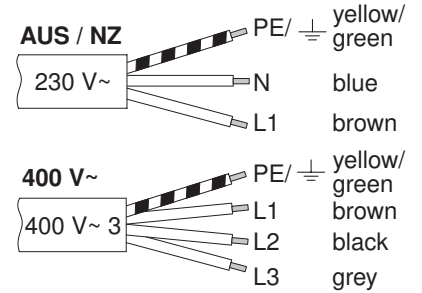
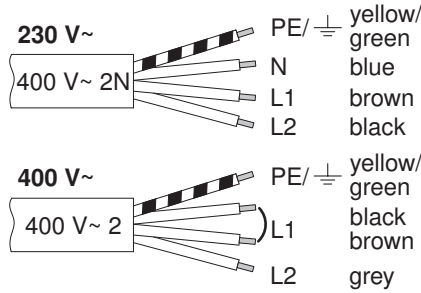
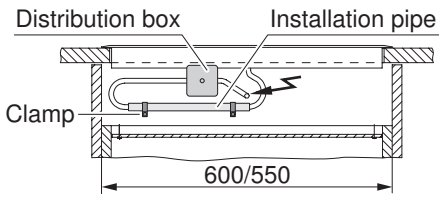
- Refer to the identification plate for specifications for the required mains voltage, current type and fuses.
- Application height of the appliance: up to max. 2000 m above sea level
- The appliance is equipped with a mains cable that should be connected to a distribution box by the customer. For pyrometric reasons the connection cable is not to be exchanged.

# Installation instructions

Glass ceramic hob Toptronic  
Frameless, for flush installation



J039123-R02



## Installation



The distance from the appliance cut-out to flammable walls (left, right and rear) must be at least 55 mm. Parts such as partition walls, reinforcing strips which protrude into the installation space under the cooking zone must be of non-flammable materials.

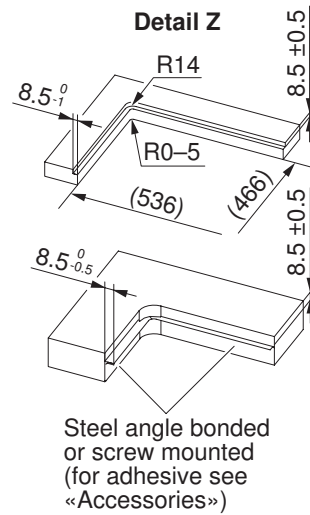
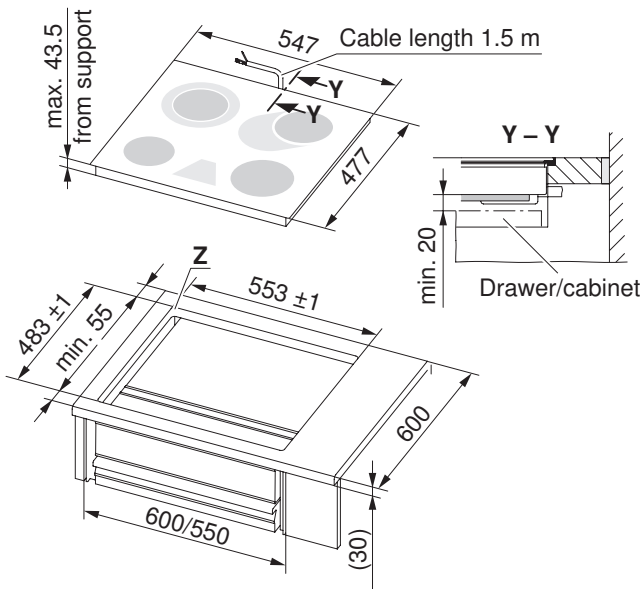
The distance between the underside of the appliance tray and any kitchen unit parts of flammable material must be at least 20 mm. When installed directly under a drawer and if the tray should be contactable from below without the aid of tools, the thermal screen set must be used (see ACCESSORIES).

## Indications

- These appliances are normally installed in stone claddings.
- The work surface must be flat.
- The appliance is embedded in the recess machined by the manufacturer of the stone cladding (see the enclosed cementing instructions). Use only good quality, fresh cementing compound (black silicon) which attains the required final strength and elasticity after a curing period of 24 hours.
- A cementing set and a special primer for non-absorbent cladding materials is obtainable (see ACCESSORIES).

## Installing

The layout of the cooking zones on the integrated hob may differ from the illustrated hob!



1. Create the installation cut-out accurately.
  - The mounting surface can be recessed by installing wood or stone bars or produced using the steel angle set (see ACCESSORIES).



Access to the appliance from below must be guaranteed over the entire cut-out surface. For servicing, the sheet metal tray together with the built-in parts can be taken out from below. The covers to prevent accidental contact with live parts must be removable by unscrewing from underneath.

2. Prepare the installation cut-out and the appliance according to the information in the accompanying cementing-in instructions.
3. Insert the appliance symmetrically in the installation cut-out on the work surface.
4. Carefully cement the appliance in place and allow the silicon cement joints to dry for at least 24 hours.
5. Where necessary establish mains supply connection before inserting the appliance. The connection cable is not to touch the hot parts of the metal tray under the cooking zones.