

Installation instructions

Oven / Combi-Steam oven
Type of construction 60-600



J731.113-0

1.10.08 ITH



The appliance should be installed by qualified personnel only. Each step must be carried out and checked in full in the order specified.

Validity

These installation instructions apply to the models:

Oven: **731, 734, 739, 740, 745, 747, 751, 759, 764, 765**
Combi-Steam oven: **771, 796**

General notes



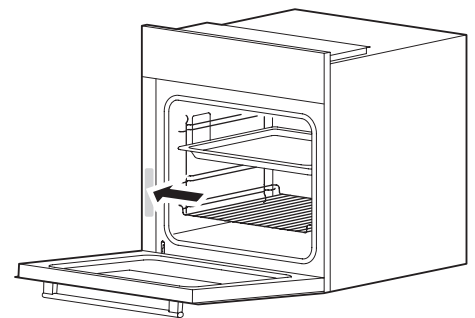
If fitting in flammable material, the guidelines and standards for low voltage installations and for the fire protection must be strictly observed.

Identification plate

- ▶ Open appliance door. The identification plate is located on the left trim panel (see illustration).

Connection plate

- ▶ Pivot connection box downwards. The connection plate is located next to the connection terminal in the connection box (see «Installation»).



Electrical connections



Electrical connections must be carried out by trained electricians in accordance with the guidelines and standards for low voltage installations and the specifications of the local electricity supply companies.

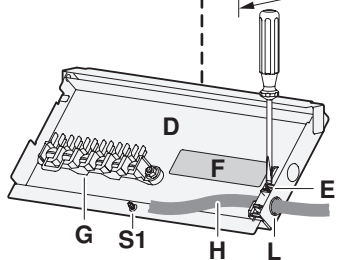
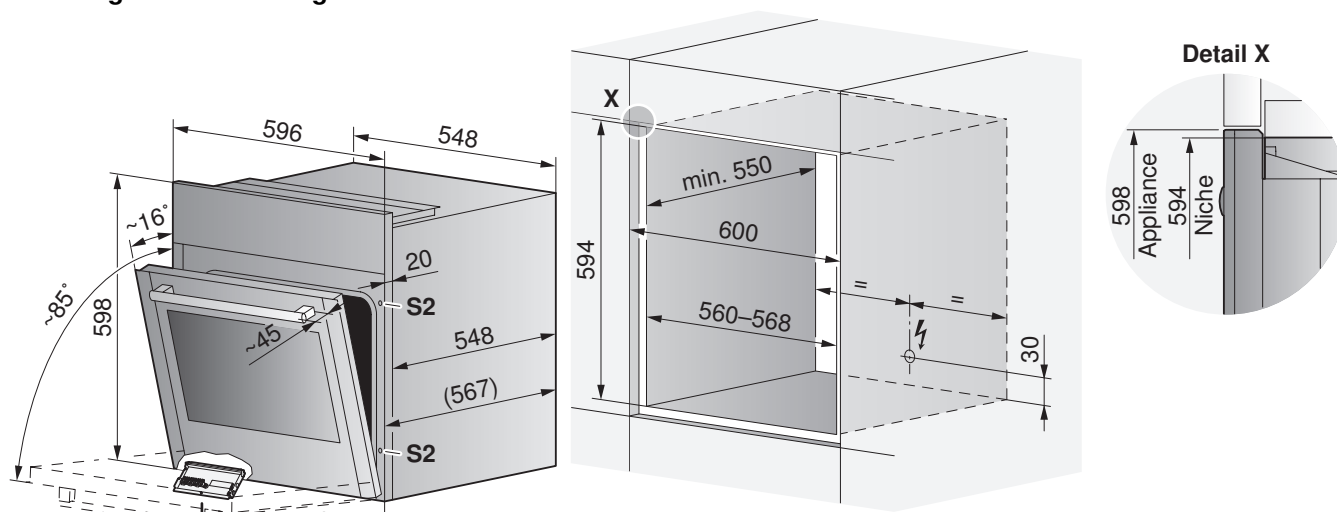
A plug-in appliance may only be connected to a socket outlet with earthing contact, installed according to specifications. A mains isolating device with 3 mm contact opening should be provided in the house wiring system. Switches, plug and socket devices, circuit breakers and fusible cut-outs which are accessible after installation and which have all-poles switching are permissible as isolating devices. Effective earthing and separately installed neutral and earth conductors ensure safe and fault-free operation. After installation, live parts and cables with basic insulation must not be accessible. Old installations should always be checked.

- ▶ Information on the necessary mains voltage, type of current and fuse protection is to be obtained from the identification plate.




Installation

Installing for a niche height of 600 mm



- D** Connection box
- E** Snap lock
- F** Connection plate
- G** Connection terminal
- H** Connection cable
- L** Hole for connection cable
- S1** Screw for connection box
- S2** Fastening screws (4x)

1. Slide appliance approx. 19 cm into the niche. Caution: danger of tipping over!
2. Pivot connection box **D** downwards after loosening screw **S1**.
3. Draw connection cable **H** from the point where it leaves the wall and through hole **L** and press firmly on snap lock **E** to secure the strain relief.
4. Connect connection cable to connecting terminal **G** in accordance with connection plate **F**.
5. Pivot connection box **D** upwards and fasten with screw **S1**.
6. Slide appliance into the niche until flush with the front and fasten the sides from the front with the 4 enclosed screws **S2**.

 Open snap lock **E** for the strain relief using screwdriver.

Installing variant for a niche height of 635 mm with adapter frame (see J731.050)

