

## Installation instructions

Glass ceramic hob Toptronic  
Frameless, with facets



J005133-R02

5.11.15



**The appliance should be installed by qualified personnel only. Each step must be carried out and checked in full in the order specified.**

### Validity

These installation instructions apply to the model:

Type	Modell no.
GK25TE	005

### General notes



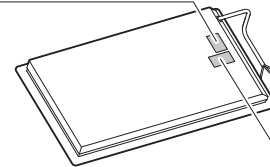
**If installing into a combustible material, the standards for low voltage installations (NIN) and the fire protection guidelines and their provisions set down by the Swiss Association of Cantonal Fire Insurance Companies as well as the requirements of the responsible fire authorities must be strictly observed.**

#### Identification plate

The identification plate is located next to the connection plate.

- ▶ Affix the second identification plate (supplied) in an accessible position behind the front of the fitted cabinet beneath the appliance.

Identification plate



Connection plate

### Installation accessories included

Designation	Article no.
Mounting angle right/left	H62219
Wood screws for mounting angle	Diverse

### Accessories

Designation	Article no.
Thermal shielding plate set	H62542
Instant adhesive for installation in stone worktops Permabond F246, incl. activator, 50 ml tube. From Silitech AG, 3008 Berne.	B11502
Adjusting brace set for special installation cases	H61548

## Installation instructions

Glass ceramic hob Toptronic  
Frameless, with facets



J005133-R02

5.11.15

### Electrical connections



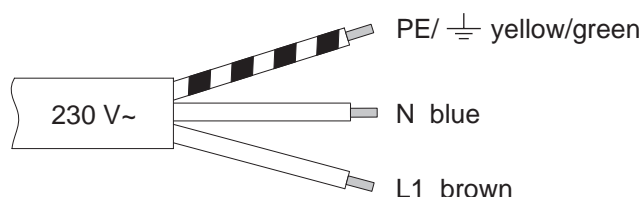
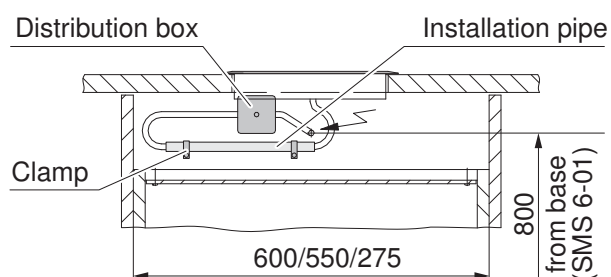
Electrical connections must be carried out by qualified experts in accordance with the regulations for low voltage installations (NIN) and the specifications of the local electricity supply companies.

An all-pole mains isolating device with 3 mm contact opening should be provided in the house wiring system. Switches, plug and socket devices, circuit breakers and fusible cut-outs which are accessible after installation and which have all-poles switching are permissible as isolating devices.

Effective earthing and separately installed neutral and earth conductors (Schema TN-S) ensure safe and fault-free operation. Check old installations.

Voltage	Rated load	Fuse
230 V~ 50 Hz	3000 W	16 A

The appliance is equipped with a mains cable that should be connected to a distribution box by the customer. The mains cable may not be replaced for thermo-technical reasons. If an oven is installed directly underneath, it is recommended that the distribution box be positioned behind the plinth. The supply cable can be routed through a cut-out that may be made in the back panel.



### Installation



The distance from the appliance cut-out to flammable walls (left, right and rear) must be at least 50 mm. Parts such as side walls, reinforcing strips which protrude into the installation space under the cooking zone must be made of non-flammable materials.

The distance between the underside of the appliance tray and any part of the cabinet beneath that is made of flammable material must be at least 20 mm. If a drawer is installed directly underneath – and if the tray can be reached from below without the aid of tools – the thermal shielding plate set (see «Accessories») must be used. See J40270 for the corresponding installation indications.

## Installation instructions

Glass ceramic hob Toptronic  
Frameless, with facets



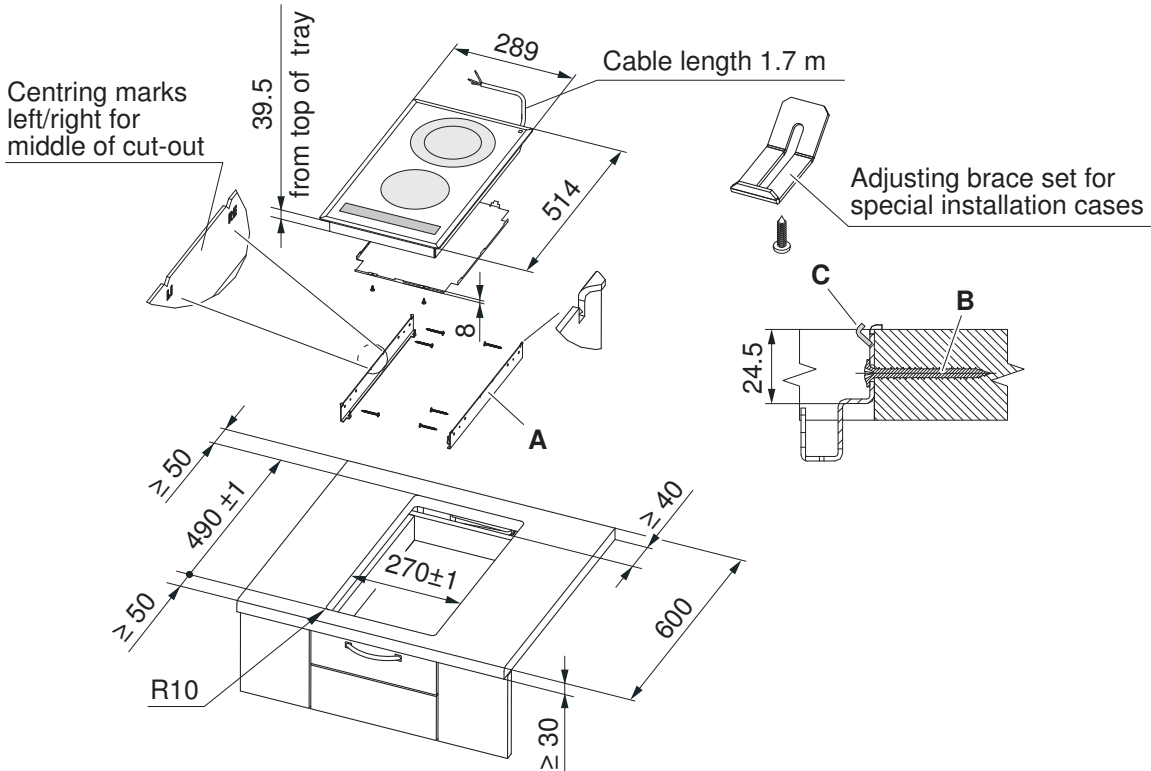
J005133-R02

5.11.15

### Indications

- The worktop must be flat in order that it is sufficiently sealed against the ingress of liquids.
- A SMS 6/6 oven can be installed directly beneath a worktop with a depth of  $\geq 30$  mm. Exception: M-SL.
- An oven with a short mounting form 55-600, 60-600, 55-381 or 60-381 can be installed underneath provided a ventilation grille set is used (see J40254).
- For the base element, a standard niche width of 275 mm is recommended (norm SMS).

### Installation



### For wood worktops

1. Create the installation cut-out accurately.
2. Centre mounting rails **A** in cut-out and fix in place with wood screws **B** as shown in the drawing above.
3. All lugs **C** must be broken off before mounting the hob.
4. Where necessary establish the mains supply connection before inserting the appliance.
5. Lower the appliance into the installation cut-out symmetrically to level with the worktop and onto the catch spring elements.  
The connection cable may not touch any hot parts of the tray beneath the cooking zones.

### For stone worktops

For stone worktops, mounting rails **A** can be adhered in position (for adhesive, see «Accessories»).

1. Clean and prime the surfaces of the stone and the mounting rails to which the adhesive is to be applied well. Allow to dry.
2. Apply the adhesive to the stone and smooth with a spatula. Apply a thin layer of activator to the adhered surface of the mounting rails.
3. Centre the mounting rails and press down well. Observe the recommended bonding time for the adhesive used.
4. Where necessary establish the mains supply connection before inserting the appliance.
5. Lower the appliance into the installation cut-out symmetrically to level with the worktop and onto the catch spring elements.  
The connection cable may not touch any hot parts of the tray beneath the cooking zones.

# Installation instructions

Glass ceramic hob Toptronic  
Frameless, with facets

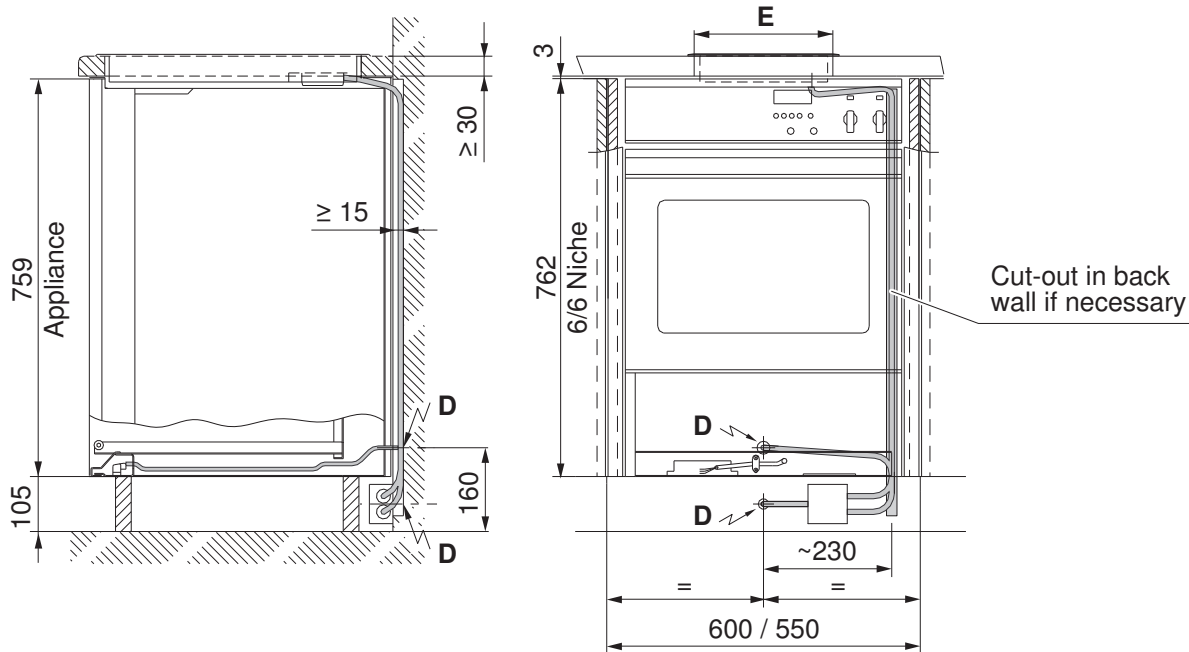


J005133-R02

5.11.15

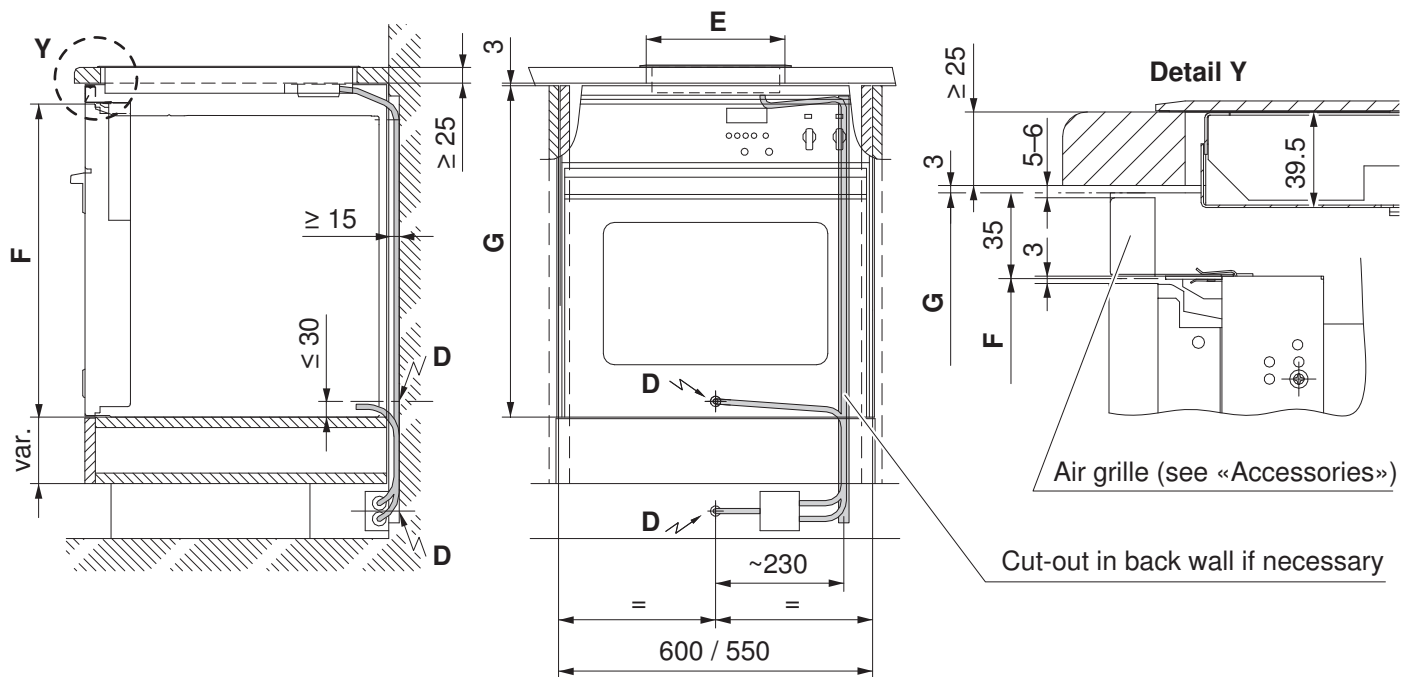
## Oven

Type of construction: 55-762, 60-762 (excl. M-SL)



## Oven with the use of a ventilation grille (see J40254)

Type of construction: 55-600; 60-600; 55-381; 60-381



- D** Possible mains supply connection
- E** Installation cut-out according to details under «Notes»
- F** Appliance height: 60.0 cm; 38.1 cm
- G** Niche height: SMS 5/6 63.5 cm
- Niche height: - 41.6 cm