

Installation instructions

Induction glass ceramic hob
Frameless, for flush installation



J488.123-2

20.1.09 ITH



The appliance should be installed by qualified personnel only. Each step must be carried out and checked in full in the order specified.

Validity

These installation instructions apply to the models: **488** (GK46TIF), **489** (GK46TIVF), **002** (GK46TIASF)

General notes

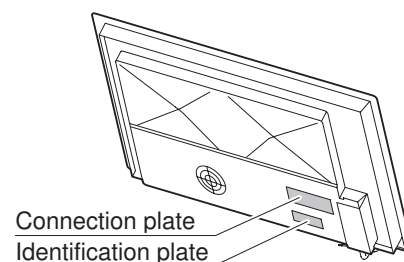


If fitting in flammable material, the guidelines and standards for low voltage installations and for the fire protection must be strictly observed.

Identification plate

The identification plate is next to the connection plate.

- ▶ Affix the second identification plate (enclosed) in an accessible position behind the front of the fitted cabinet beneath the appliance.



Installation accessories included

Designation	Article no.
Cementing-in instructions	J004.130
Sealing strip set	H6.2142

Accessories

Designation	Article no.
Steel angle set	
Installation dimension 60	H6.2084
Installation dimension 80	H6.2085
Ventilation protection plate set	
For niche width 550–600 mm	H6.2122
For niche width 825–900 mm	H6.2123
Instant adhesive for the installation of the steel angle	
Permabond F246, incl. Activator, 50 ml tube. From Silitech AG, 3008 Bern.	B11.502
Cement set	
Complete with cleaning agent, primer type 1105, cartridge with silicon adhesive, black with nozzle. Suitable for all absorbent worktop materials (wood and natural stones such as marble and granite).	86.3928.85
Special primer type 107	
Suitable for non-absorbent worktop materials (not suitable for polyethylene, polypropylene or Teflon).	45.2771.76

Installation instructions

Induction glass ceramic hob
Frameless, for flush installation



J488.123-2

20.1.09 ITH

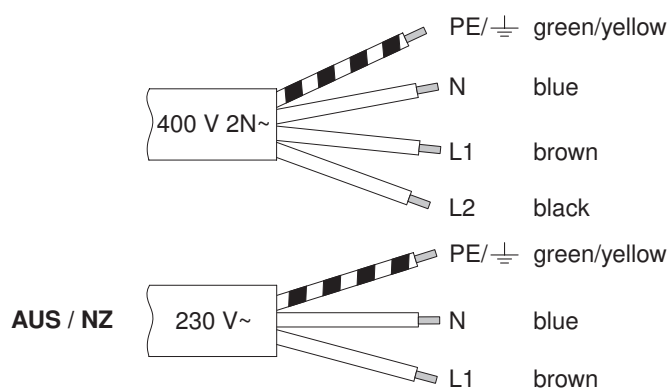
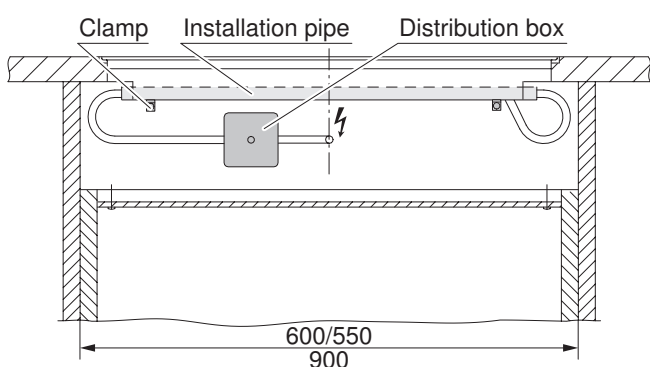
Electrical connections



Electrical connections must be carried out by trained electricians in accordance with the guidelines and standards for low voltage installations and the specifications of the local electricity supply companies.

A plug-in appliance may only be connected to a socket outlet with earthing contact, installed according to specifications. A mains isolating device with 3 mm contact opening should be provided in the house wiring system. Switches, plug and socket devices, circuit breakers and fusible cut-outs which are accessible after installation and which have all-poles switching are permissible as isolating devices. Effective earthing and separately installed neutral and earth conductors ensure safe and fault-free operation. After installation, live parts and cables with basic insulation must not be accessible. Old installations should always be checked.

- ▶ Information on the necessary mains voltage, type of current and fuse protection is to be obtained from the identification plate.
- ▶ The appliance is equipped with a mains cable that should be connected to a distribution box by the customer.
- ▶ If an oven is installed under the appliance, we recommend placing the distribution box behind the base. A cut-out can be made in the rear wall for the cables.



Error message U400



Incorrect connection:

A pole conductor was connected to the connecting terminal for neutral conductors.
Quickly disconnect the appliance from the mains!

Installation

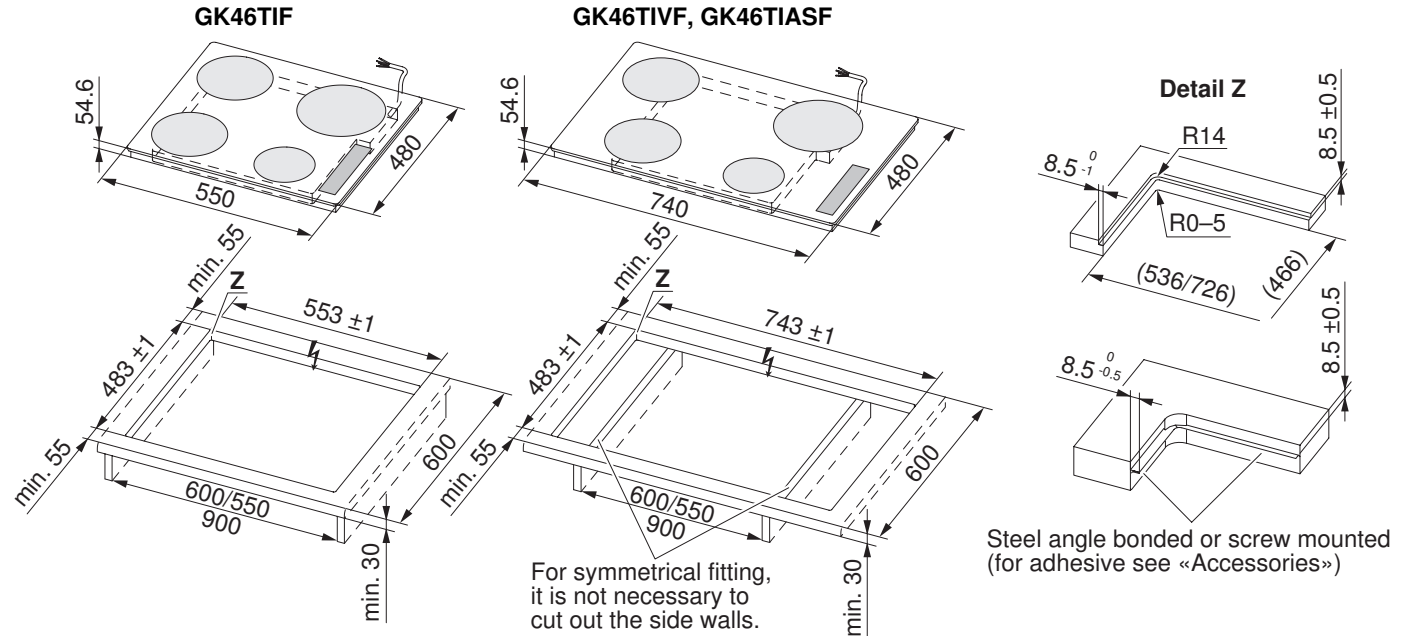
Indications

- The worktop must be flat.
- In order to guarantee good ventilation, a space of at least 2 cm height is necessary beneath the appliance.
- If the depth of the work surface is ≥ 30 mm, you can place an oven with 762 mm height directly underneath the appliance, exception: M-SL[P].
- It is possible to install an oven in the short mounting forms 55-600, 60-600, 55-381 or 60-381 beneath the appliance if you use a ventilation grille set (oven accessories).



Installing

The layout of the cooking zones on the integrated hob may differ from the illustrated hob!



1. Create the installation cut-out accurately.
 - The mounting surface can be recessed by installing wood or stone bars or produced using the steel angle set (see «Accessories»).

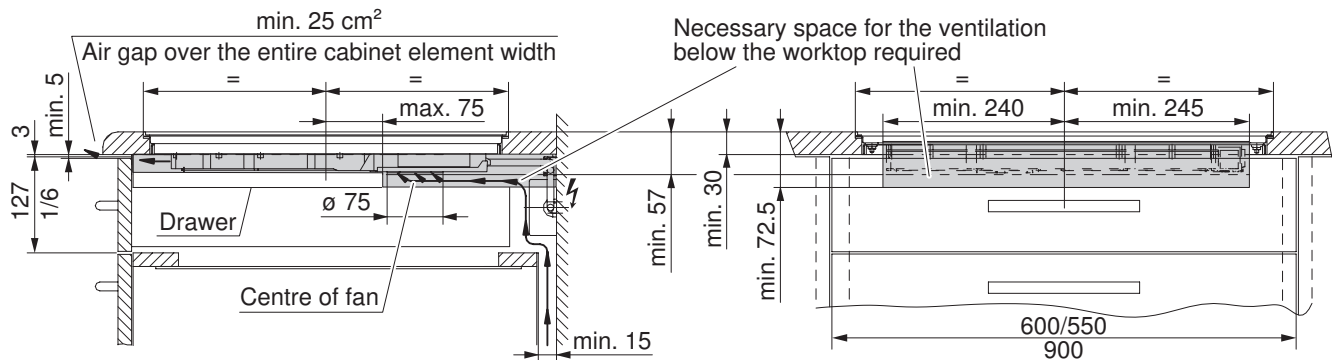


Access to the appliance from below must be guaranteed over the entire cut-out surface. For servicing, the induction generator with the mounting plate can be removed from below. The covers to prevent accidental contact with live parts must be removable by unscrewing from underneath.

2. Prepare the cut-out and the appliance according to the information in the accompanying cementing-in instructions.
3. Carefully cement the appliance in place and allow the silicon cement joints to dry for at least 24 hours.
4. Where necessary establish the mains supply connection before inserting the appliance.

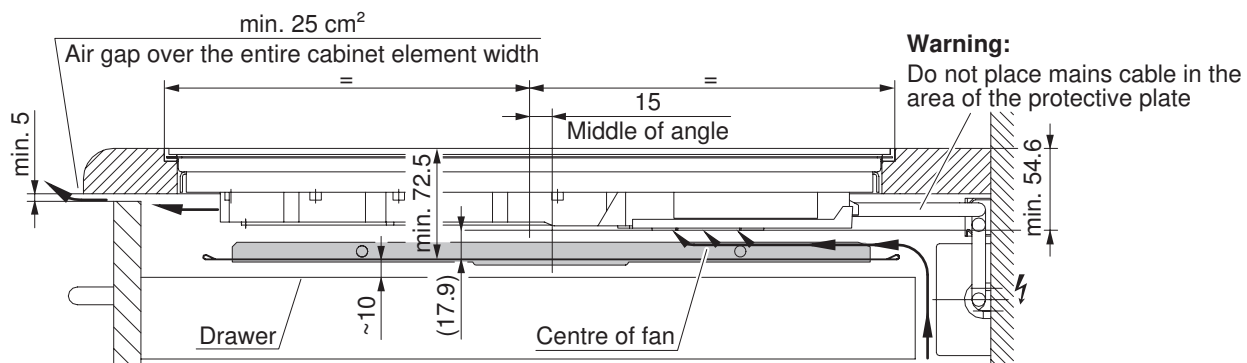
Cool air supply if installed over a drawer or cabinet

In order to guarantee good ventilation, there needs to be a space of at least 2 cm height beneath the appliance.



With a protective plate beneath the ventilator

If necessary, a protective plate (see «Accessories») can be fitted above the drawer.



Warning:
Do not place mains cable in the area of the protective plate