

# Installation instructions

Heat pump dryer  
One-family household



J958.113-2

5.7.10 BAD



The appliance should be installed by qualified personnel only. Each step must be carried out and checked in full in the order specified.

## Validity

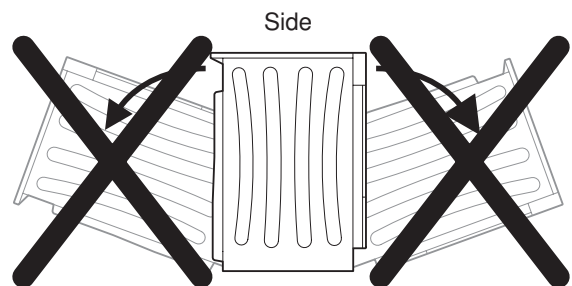
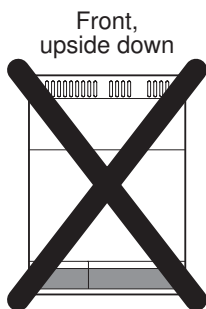
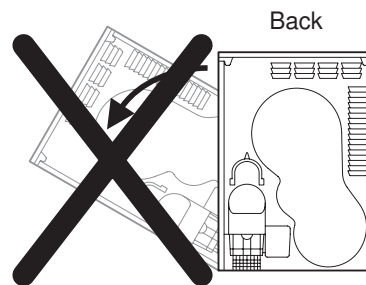
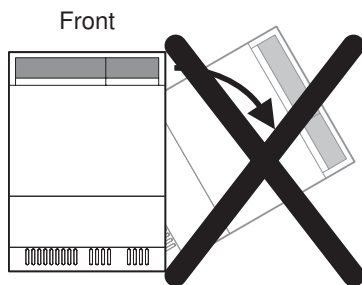
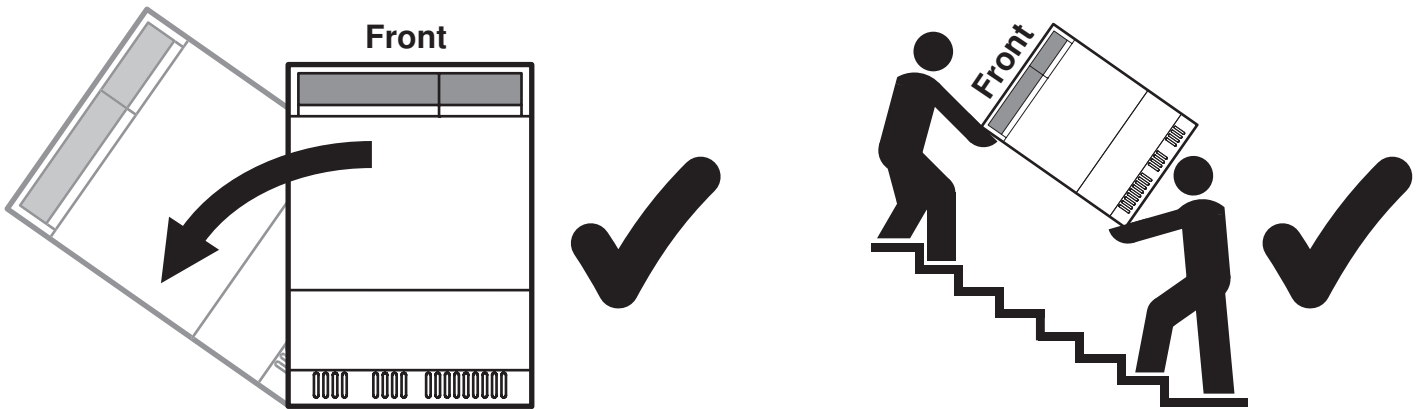
These installation instructions apply to the model: **958**

## Transport



The appliance is only to be transported in the upright position! Transporting it in any other position will result in damage to the appliance! When carried carefully, without being shaken, the appliance may be tilted to the left by a maximum of 90° (viewed from the front).

The appliance must be allowed to stand in the standard operating position for about 2 hours before using the heat pump. Failure to observe this can result in damage to the appliance.



## Installation instructions

Heat pump dryer  
One-family household

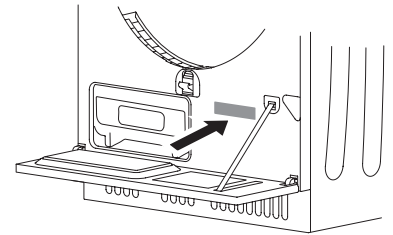


J958.113-2

5.7.10 BAD

### Identification plate

- ▶ Open the appliance door and the cover.
  - The identification plate is located bottom right behind the cleaning cover.



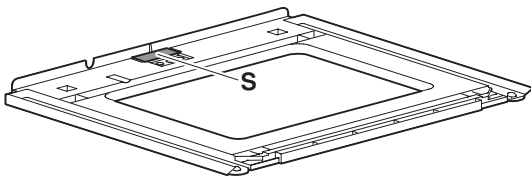
### Installation accessories supplied

The necessary installation accessories are located in the drum.

Article	Article no.	Number	See installation step
Condensate drain kit	W5.5845	1	4. Connect condensate drain

### Installation plate (W5.0542)

incl. screw material (S) and double-sided adhesive tape



### Room conditions / ventilation



Do not obstruct the appliance's ventilation slits to ensure that there is an ample supply of air.

The room must be well ventilated to ensure that the room temperature does not exceed 35 °C.



The room temperature should be kept as low as possible to ensure the economic running of the appliance. Critical is a room temperature of 35 °C and over. This prolongs the duration of the programmes.

If the volume of the room in which the appliance is located is at least 20 m<sup>3</sup> when closed:

Condensation may form on thermal bridges!

The room must be aired (by opening the door to or a window in the room) between consecutive drying programmes!

If the volume of the room in which the appliance is located is less than 20 m<sup>3</sup>:

There must be air inlet and outlet openings (open window, ventilation grille or slits in the door, ventilation system) to the adjacent room or to the outside.

### Installation



Work steps 1–5 must be carried out in full in the order specified.

#### 1. Positioning the installation plate



Use the installation plate to install the appliance. This plate fixes the appliance in position (for both free-standing appliances and appliances placed in a niche).

- ▶ Raise the appliance slightly at the front and pull it forward, away from the installation plate.
- ▶ Secure the installation plate to the location you wish to install the appliance using 4 screws. On smooth and clean floors, you can affix the installation plate (double-sided adhesive tape supplied).
- ▶ Dampen the mounting slots on the installation plate with water.

# Installation instructions

Heat pump dryer  
One-family household



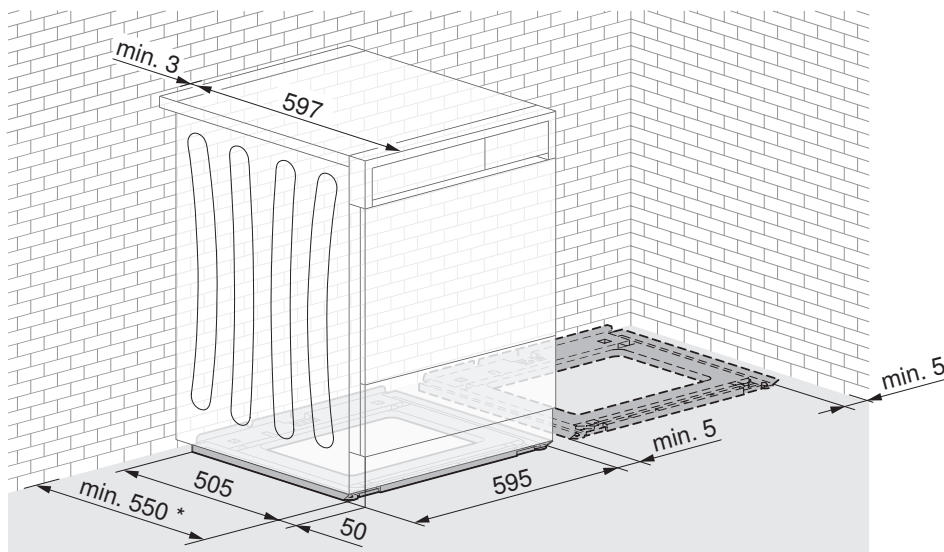
J958.113-2

5.7.10 BAD

## Free-standing position



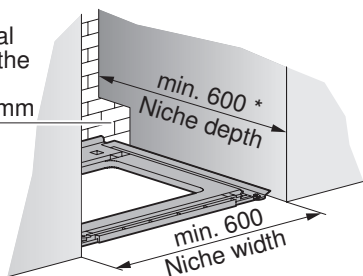
If a tumble dryer and a washing machine are positioned side by side, keep a distance of min. 5 mm between installation plates and min. 3 mm to walls.



## Positioning in a niche

► Centre the installation plate in the niche.

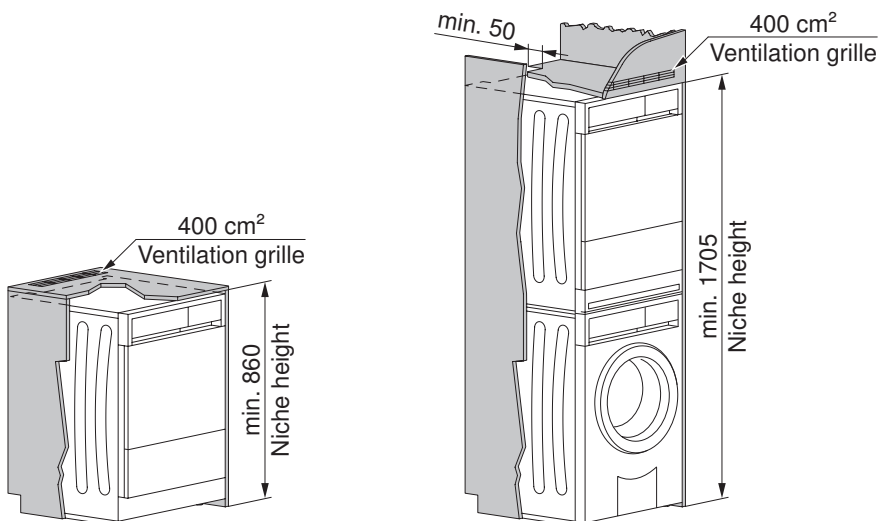
Cut-out for lateral connections, to the left or right side  
min. 100 × 100 mm



\* This only applies if no plumbing fittings are to be installed behind the appliance. Add another 20 mm if the condensed water hose leads away to the left.



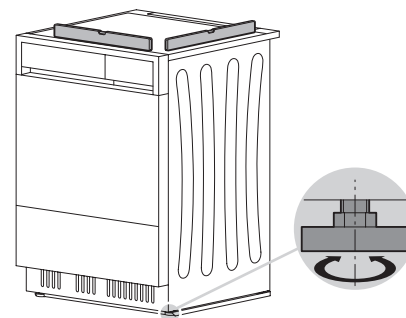
The heat given off from the rear of the appliance must be lead out of the niche. For this the rear cover parts must be removed. Mount ventilation grille P33.002 and ensure there is a supply of fresh air via the connection opening.





**2. Levelling**

- ▶ Roughly adjust the rear adjuster feet.
- ▶ To ensure smooth, fault-free operation, the appliance must be perfectly vertical. Use a spirit level to position the appliance.
- ▶ Slide the appliance in. Finely adjust the front adjuster feet until all 4 feet are standing firmly on the floor.
  - The appliance must not wobble.



**3. Electrical connections**



Electrical connections must be carried out by trained electricians in accordance with the guidelines and standards for low voltage installations and the specifications of the local electricity supply companies. A plug-in appliance may only be connected to a socket outlet with earthing contact, installed according to specifications. A mains isolating device with 3 mm contact opening should be provided in the house wiring system. Switches, plug and socket devices, circuit breakers and fusible cut-outs which are accessible after installation and which have all-poles switching are permissible as isolating devices. Effective earthing and separately installed neutral and earth conductors ensure safe and fault-free operation. After installation, live parts and cables with basic insulation must not be accessible. Old installations should always be checked.

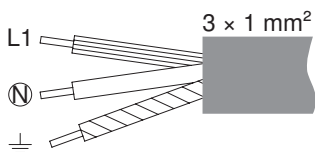
- ▶ Information on the necessary mains voltage, type of current and fuse protection is to be obtained from the identification plate.

**Connection cable**

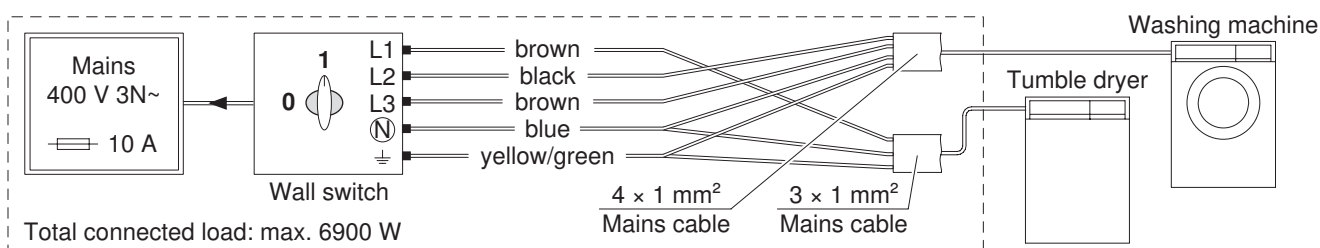
**230 V~ 50 Hz, 10 A**

**Colour code**

- L1 brown
- Ⓝ blue
- ⊕ yellow/green



**Combined connection tumble dryer / washing machine (models 250–258, 265–269)**



**Error messages «U..»**



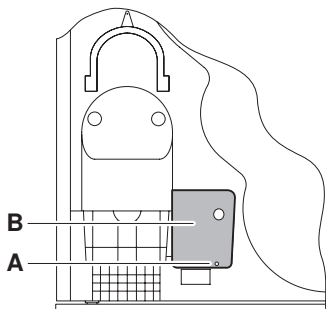
Disconnect the appliance from the mains and control the wiring.



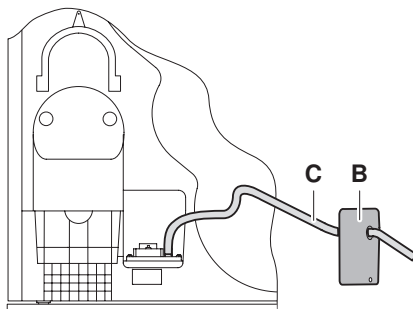
**4. Connect condensate drain**



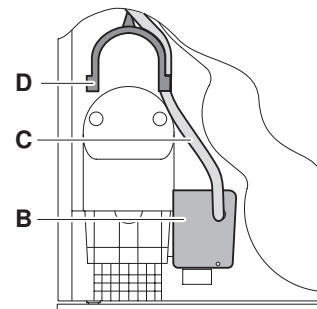
When installing the drain hose, protect it against damage and bending! For that, use a hose clip 8.086.8039.



- ▶ Loosen screw **A**.
- ▶ Remove cover **B**.



- ▶ Push the supplied drain hose **C** (2 m) through the hole in the cover **B**.
- ▶ Push on to the pump connection piece and secure with a hose clip.

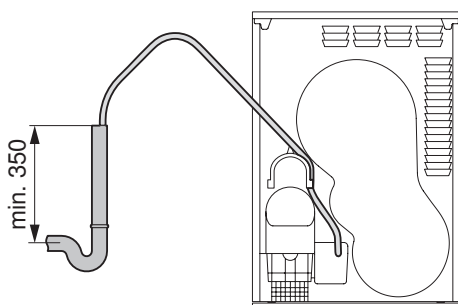


- ▶ Replace cover **B**.
- ▶ Place hose around retainer **D**.

**Single connections**

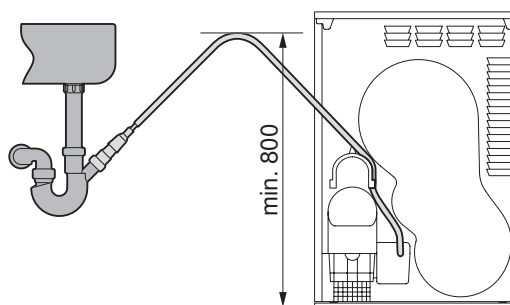
The max. pumping height of the pump is 1.2 m

**Drain into fixed upright outflow pipe**



**Connection to sink drain trap**

Set W5.3070



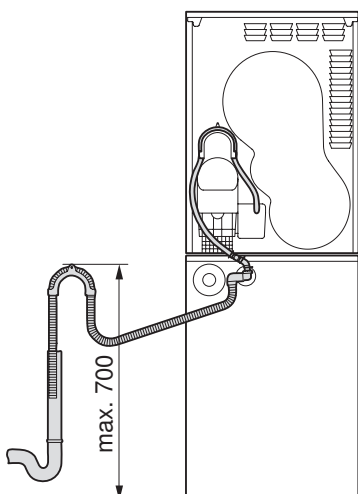
- Cannot be connected to a double drain trap.
- There must be a separate concealed drain trap for each appliance.

**Washer-dryer combinations**

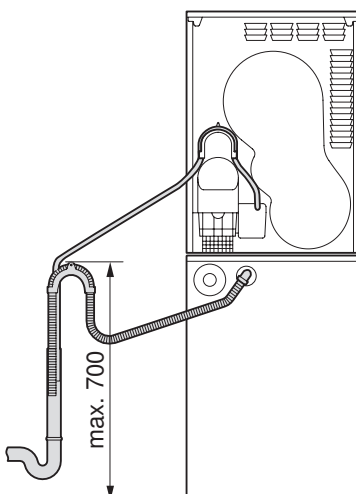
- Can be connected to a double drain trap.

**Washer-dryer tower**

with combi drainage set  
W5.4917

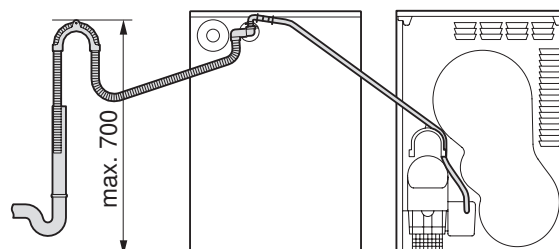


with drainage into fixed  
upright outflow pipe



**Installation side by side**

with combi drainage set  
W5.4917





## 5. Using for the first time

When the appliance is connected to the power supply for the first time, it is possible to select a function test. The purpose of the function test is to check the installation and it lasts about 3 minutes. For the function test the appliance must not have been standing in the normal operating position for approx. 2 hours as the heat pump is not started. The function test can therefore be selected immediately after installation.



The function test cannot be aborted by an interruption of the mains supply.

Once the function test has been run, it can no longer be selected and the appliance enters the normal selection mode.

### Start function test

- ▶ Connect appliance and wait for **EESE** to show in the digital display.
- ▶ Start the function test with button

The function test can be interrupted in 2 ways:

1. Open the appliance door.
  - **EESE** flashes in the digital display.
  - Indicator lights for buttons and flash after closing the appliance door.

Or

2. Press the button.
  - Indicator lights for buttons and flash.

Continue the function test:

- ▶ Press the button.
  - The remaining time shows in the digital display, e.g. **E 01**.

Abort function test:

- ▶ By pressing the button the function test is aborted and all displays go out.

End of function test:

- All displays go out on completion of the function test.



**The appliance is only ready to operate after the required waiting time of approx. 2 hours in the normal operating position.** Failure to observe this can result in damage to the appliance.