

Installation instructions

Induction glass ceramic hob
Frameless, for flush installation



J31020.123-0

10.8.12 WIMA



The appliance should be installed by qualified personnel only. Each step must be carried out and checked in full in the order specified.

Validity

These installation instructions apply to the models: **31020** (GK56TIMS.1F)

General notes



If fitting in flammable material, the guidelines and standards for low voltage installations and for the fire protection must be strictly observed.

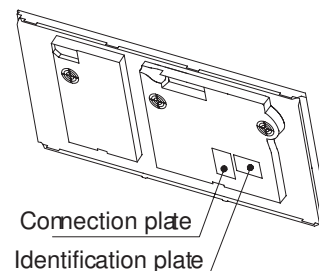


This appliance is considered to be suitable for use in countries having a warm damp equable climate (WDaE). It may also be used in other countries. If used in warm damp equable climated countries, the appliance is to be supplied through a residual current device (RCD) having a rated residual operating current not exceeding 30 mA.

Identification plate

The identification plate is located next to the connection plate.

- Affix the second identification plate (supplied) in an accessible position behind the front of the fitted cabinet beneath the appliance.



Installation accessories included

Designation	Article no.
Cementing-in instructions	J004.133
Sealing strip set	H6.2142

Accessories

Designation	Article no.
Steel angle set Installation dimension 90	H6.3775
Ventilation protection plate set For niche width 550 mm	H6.1082
For niche width 600 mm	H6.1083
For niche width 825 mm	H6.1084
For niche width 900 mm	H6.1085
Instant adhesive for installation of the steel angle Permabond F246, incl. activator, 50 ml tube. From Silitech AG, 3008 Berne.	B11.502
Cement set Complete with cleaning agent, primer type 1105, cartridge with silicon adhesive, black with nozzle. Suitable for all absorbent worktop materials (wood and natural stones such as marble or granite).	86.3928.85
Special primer, type 107 Suitable for non-absorbent worktop materials (not suitable for polyethylene, polypropylene or Teflon).	45.2771.76

Electrical connections



Electrical connections must be made by trained electricians in accordance with the guidelines and standards for low voltage installations and the specifications of the local electricity supply companies.

A plug-in appliance may only be connected to a socket outlet with earthing contact, installed according to specifications. An all-pole mains isolating device with 3 mm contact opening should be provided in the house wiring system. Switches, plug and socket devices, circuit breakers and fusible cut-outs which are accessible after installation and which have all-poles switching are permissible as isolating devices. Effective earthing and separately installed neutral and earth conductors ensure safe and fault-free operation. After installation, live parts and cables with basic insulation must not be accessible. Old installations should always be checked.

- Refer to the identification plate for specifications for the required mains voltage, current type and fuses.
- Application height of the appliance: up to max. 2000 m above sea level
- The appliance is equipped with a mains cable that should be connected to a distribution box by the customer.

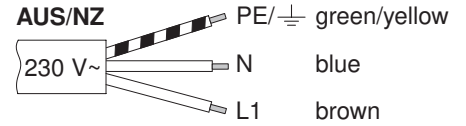
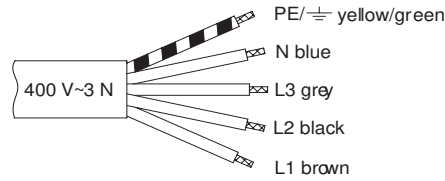
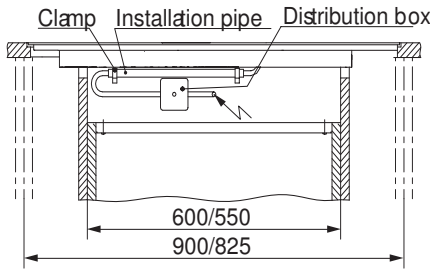
Installation instructions

Induction glass ceramic hob
Frameless, for flush installation



J31020.123-0

10.8.12 WIMA



Error message U400



Incorrect connection:
A pole conductor was connected to the connecting terminal for neutral conductors.
Quickly disconnect the appliance from the mains!

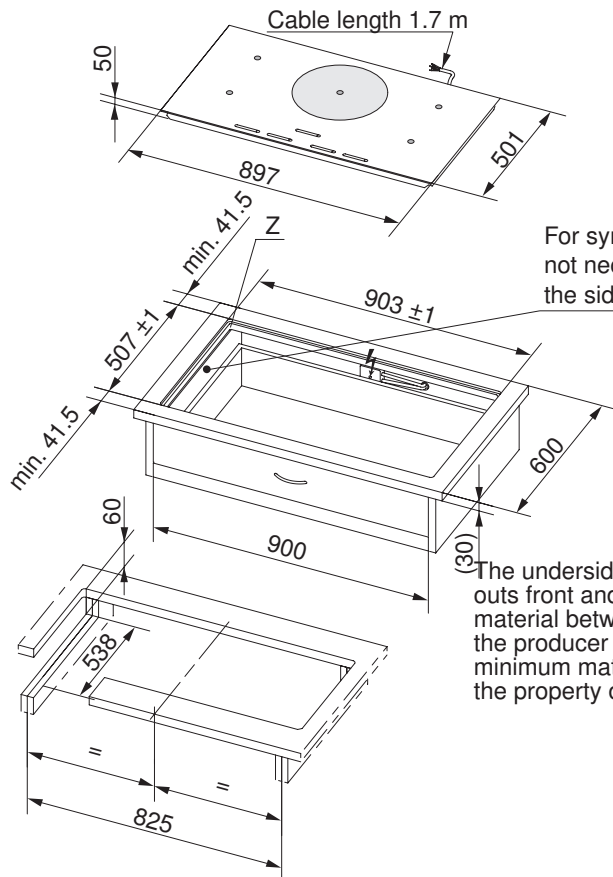
Installation

Indications

- The worktop must be flat.
- In order to guarantee good ventilation, a space of at least 17.5 mm height is necessary beneath the appliance.

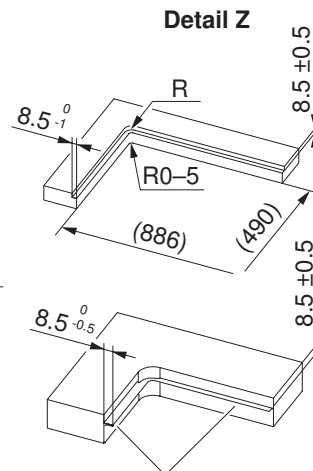
Fitting

The layout of the cooking zones on the hob to be built in may differ from the illustrated hob!



For symmetrical fitting, it is not necessary to cut out the side walls.

The underside of the material between cut-outs front and rear is reinforced. The width of material between cut-outs is determined by the producer of the stone worktop. The minimum material width can vary according to the property of the stone.



Steel angle bonded or screw mounted (for adhesive see «ACCESSORIES»)

Type	Corner radius	Remarks
GK56TIMS.1F spec.	R = 14	For glass worktops
GK56TIMS.1F	R = 5	For other worktops



1. Create an accurate installation cut-out.
 - The mounting surface can be recessed by installing wood or stone bars or produced using the steel angle set (see ACCESSORIES).

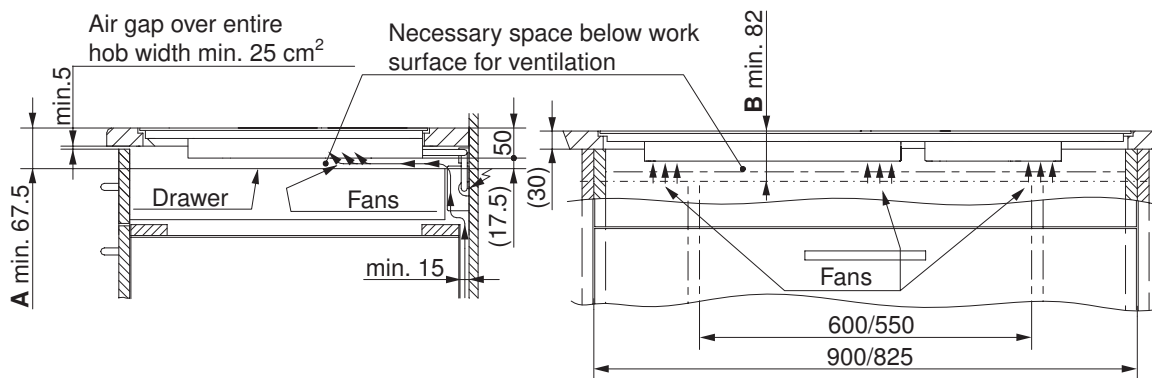


Access to the appliance from below must be guaranteed over the entire cut-out surface. For servicing, the induction generator with the mounting plate can be removed from below. The covers to prevent accidental contact with live parts must be removable by unscrewing from underneath.

2. Prepare the cut-out and the appliance according to the information in the accompanying cementing-in instructions.
3. Carefully cement the appliance in place and allow the silicon cement joints to dry for at least 24 hours.
4. Where necessary establish the mains supply connection before inserting the appliance.

Cool air supply if installed over a drawer or cabinet

In order to guarantee good ventilation, a space of at least 17.5 mm height is necessary beneath the appliance.



= Necessary space below the work surface for the ventilation of the appliance.

B = Cut-out in side walls for disassembly from below, only for niche width 825/600/550mm.

Installing the ventilation plate with a 3 mm ventilation gap at the front (see «Accessories»)



A protective plate is necessary for the adequate ventilation of the hob.

The distance between the underside of the appliance and the protective plate must be at least 17.5 mm.

