



The appliance should be installed by qualified personnel only. Each step must be carried out and checked in full in the order specified.

Validity

These installation instructions apply to the model: **953**

General notes



If fitting in flammable material, the guidelines and standards for low voltage installations and for the fire protection must be strictly observed.

Identification plate

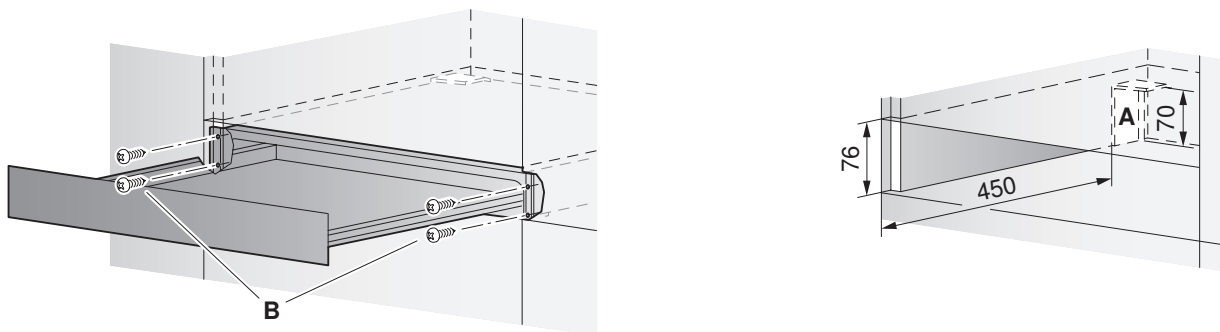
► Remove the drawer. The identification plate is located on the inside of the appliance.

Installation



The drawer must be secured by 4 screws and 2 angle brackets to prevent tipping.

1. Fasten the 2 supplied angle brackets **A** in place. Use 2 screws to fix each bracket. The bevelled edges must be toward the back.
2. Push the appliance carefully into the niche, with the front aligned flush with the cabinet front.
3. Open the drawer and fix in place from the front, using the 4 supplied screws **B**.



Installing with Coffee-Center

