

Operating instructions

DFSG5/DFSG6/DFSG8/DFSG9

Range hood

Thank you for choosing to buy one of our products. Your appliance is made to high standards and is easy to use. Nevertheless, please take the time to read these operating instructions in order to familiarise yourself with the appliance and get the best use out of it.

Please follow the safety precautions.

Modifications

Text, diagrams and data correspond to the technical standard of the appliance at the time these operating instructions went to press. The right to make technical modifications for the purpose of the further development of the appliance is reserved.

Validity

The product family (model number) corresponds to the first alphanumeric on the identification plate. These operating instructions apply to:

Type	Product family	Size system
DFSG5	61017	55
DFSG6	61018	60
DFSG8	61019	82.5
DFSG9	61020	90

Variations depending on the model are noted in the text.

Contents

1 Safety precautions	4
1.1 Symbols used	4
1.2 General safety precautions	5
1.3 Before using for the first time	6
1.4 Correct use.....	6
1.5 Children in the home	6
1.6 Note on use.....	7
2 Disposal	9
3 Your appliance	10
3.1 Appliance description.....	10
3.2 Extraction model.....	10
3.3 Recirculation model.....	10
3.4 Equipment.....	11
3.5 Construction	11
3.6 Operating elements	12
4 Operating the appliance	13
4.1 Switching the appliance on	13
4.2 Switching the extractor fan on/off.....	13
4.3 Switching the illumination on/off	14
4.4 Switching the appliance off	14
5 Care and maintenance	15
5.1 Cleaning the housing	15
5.2 Metal grease filter with integrated long-life activated charcoal filter	16
5.3 Replacing the light bulb.....	18
6 Trouble-shooting	19
6.1 What to do if	19
7 Accessories and spare parts	20
8 Technical data	21
9 Index	22
10 Notes	24
11 Service & Support	27

1 Safety precautions

1.1 Symbols used



Denotes important safety precautions.
Failure to observe said precautions can result in injury or in damage to the appliance or fittings!



Information and precautions that should be observed.



Information on disposal



Information about the operating instructions

- ▶ Indicates step-by-step instructions.
 - Describes how the appliance reacts to the steps taken.
- Indicates a list.

1.2 General safety precautions



- Read the operating instructions before using the appliance for the first time!



- This appliance can be used by children aged 8 and above and by persons with reduced physical, sensory or mental capabilities, or lack of experience and/or knowledge, provided they are supervised or have been instructed on the safe use of the appliance and have understood the hazards involved. Children shall not play with the appliance. Cleaning and user maintenance shall not be undertaken by children without supervision.
- If an appliance is not equipped with a mains cable and a plug or other means for disconnecting from the mains with a contact opening on each pole complying with the conditions of overvoltage category III for full isolation, an isolating device must be incorporated into the permanently installed electrical installation in accordance with the installation regulations.
- If the mains cable of this appliance is damaged, it must be replaced by the manufacturer or its Customer Services or a similarly qualified person in order to avoid hazard.

1.3 Before using for the first time

- The appliance must be installed and connected to the electricity supply in accordance with the separate installation instructions. Have a qualified fitter/ electrician carry out the necessary work.
- Dispose of the packaging material in accordance with local regulations.

1.4 Correct use

- The appliance is designed for use in the home for extracting cooking odours from above a cooking area.
- Any repairs, modifications or manipulations to the appliance, especially any electrically live parts, may only be carried out by the manufacturer, its Customer Services or a similarly qualified person. Repairs if carried out incorrectly could cause serious injury or damage to the appliance and fittings as well as affect the functioning of the appliance. If the appliance is not working properly or in case of a repair order, follow the instructions given in the 'Service & Support' section. If necessary, please contact our Customer Services.
- Use original spare parts only.
- Retain these operating instructions for future reference. If you sell the appliance or pass it on to a third party, please ensure these operating instructions accompany the appliance, together with the instructions on installation. In this way, the new owner can inform themselves about how to use the appliance correctly and read the pertinent safety precautions.

1.5 Children in the home

- Packaging material, e.g. plastic film and polystyrene, can be dangerous for children. Danger of suffocation! Keep packaging material away from children.
- The appliance is designed for use by adults who are familiar with these operating instructions. Children are often unable to recognize the danger of electrical appliances. Ensure proper supervision and do not allow children to play with the appliance – there is a danger that children could hurt themselves.

1.6 Note on use

- If the appliance is visibly damaged, do not use it. Contact our Customer Services.
- If the appliance is not functioning properly, disconnect it from the power supply immediately.
- If the mains cable of the appliance is damaged, it must be replaced by Customer Services in order to avoid hazard.
- Caution: Accessible parts may become hot when used with cooking appliances.
- Do not flambé food underneath the appliance. Metal grease filters if laden with grease could catch fire.
- When frying on the cooking surface, do not leave the appliance unattended. The cooking oil in the frying appliance could overheat and catch fire. Constantly monitor the temperature of the cooking oil, keeping it below the temperature at which it can catch fire. Change the cooking oil regularly – dirty oil catches fire more easily than clean oil.
- Observe the cleaning intervals. Failure to do so can increase the fire hazard due to the build-up of grease in the metal grease filters.
- Do not operate the individual cooking zones of the cooking surface without a pan on them or with an empty pan on them so as to avoid damaging the appliance or the kitchen fittings through a build-up of heat. Avoid open fires with oil, gas, wood and coal fired cookers.
- Ensure there is adequate ventilation when the extractor fan is on so as to avoid creating a disturbing underpressure in the kitchen and to achieve optimal air extraction.
- Avoid a cross-current of air, which could blow the cooking vapours over the cooking area.
- If other appliances – fuelled by gas or other fuels – are being used at the same time, ensure that there is a sufficient supply of fresh air. This does not apply to air recirculation appliances.
- If other firing systems are being used at the same time (e.g. wood, gas, oil or coal fired heating appliances), safe operation is only possible providing a room negative pressure of 4 Pa (0.04 mbar) is not exceeded at the location of the appliance. Risk of toxic fumes! An adequate flow of fresh air must be guaranteed e.g. via non-closable openings in doors or windows and in combination with an air-intake/exhaust-air wall box or by other technical means.

1 Safety precautions

- When carrying out maintenance work on the appliance, including replacing the light bulb, cut off the electricity supply to the appliance: remove the screw fuse from the holder or switch the circuit breaker off, or disconnect from the mains supply.
- When cleaning the appliance make sure no water gets inside the appliance. Use a moderately damp cloth. Do not spray the inside or outside of the appliance with water. Do not use a steam cleaner. If water gets inside the appliance, it can cause damage.

2 Disposal

Packaging

- All packaging materials (cardboard, plastic film (PE) and polystyrene (EPS)) are marked and should, if possible, be collected for recycling and disposed of in an environmentally friendly way.

Disconnection

- Disconnect the appliance from the mains. With a fixed appliance, this is to be carried out by a qualified electrician!


Safety

- Disable the appliance to prevent accidents caused by improper use, especially through children playing.
- Pull the plug out of the mains socket or have the appliance disconnected from the mains by an electrician. Then cut the mains cable off flush with the appliance.

Disposal

- The old appliance should not be discarded as worthless rubbish. If disposed of correctly, the raw materials can be recovered for recycling.



- The  symbol on the identification plate warns that the appliance may not be disposed of in normal household waste.
- The appliance must be disposed of in accordance with local regulations on waste disposal. For more information on the handling, disposal and recycling of the product, please contact the local authorities, the local recycling facilities for household waste or the retailer from whom you purchased the appliance.

3 Your appliance

3.1 Appliance description

The appliance is for ventilating a cooking area and is typically built into the wall unit. This particular model can be used in the extraction mode as well as in the recirculation mode.

3.2 Extraction model

The integrated fan extracts cooking fumes and smells from above the cooking surface. The air is cleaned through the grease filter and then fed through the exhaust air conduit to the outside.



When the appliance is in use, ensure there is a sufficient supply of fresh air to replace the air that is being extracted.

3.3 Recirculation model

Using an activated charcoal filter in the appliance

After being filtered through the grease filter, the cooking fumes and smells above the cooking surface are passed through an activated charcoal filter. The cleaned air is then circulated through the grille – at the top of the appliance – and back into the room.

Using an air recycling cartridge (LRC)

The appliance extracts the cooking fumes and smells from above the cooking surface through the grease filter, which removes the grease particles. The air is then blown via a duct through the air recycling cassette. An activated charcoal filter in the air recycling cassette removes the cooking fumes and smells. The cleaned air is then circulated through the outlet grille back into the room.



The activated charcoal filter is more effective at the lower power levels.

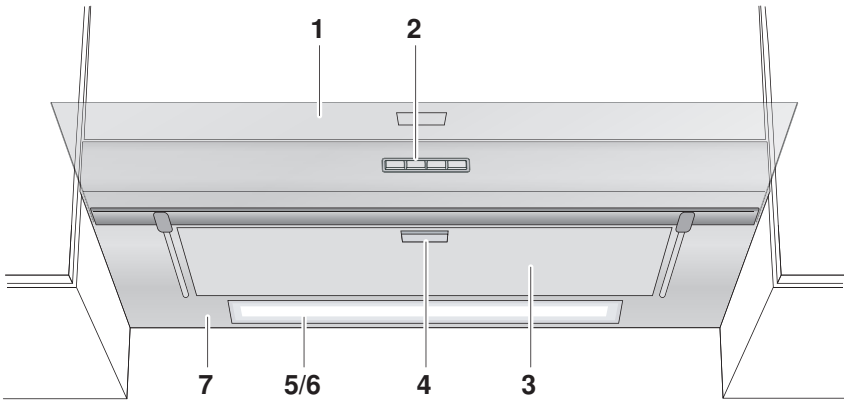
3.4 Equipment

- Glass deflector plate (extendable)
- 2 extractor fans with 3 power levels
- 1 metal grease filter
- Illumination
- 1 activated charcoal filter (not supplied)

The extractor fan has 3 power levels: 1, 2 and 3

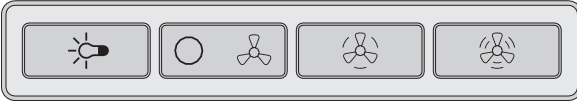
- 1 = low, 2 = medium, 3 = high.
- Power levels 1 and 2 are suitable for continuous operation.
- The intensive level is used for short bursts of intensive extraction of cooking fumes and smells, e.g. when searing meat. Switch back to power level 1 or 2 afterwards.

3.5 Construction



- 1 Glass deflector plate (extendable)
- 2 Operating elements
- 3 Metal grease filter
- 4 Grip flap
- 5 Illumination
- 6 Illumination cover
- 7 Locking bar

3.6 Operating elements



Illumination ON-OFF



Extractor fan power level 1 ON, all power levels OFF



Extractor fan power level 2 ON-OFF



Extractor fan power level 3 ON-OFF



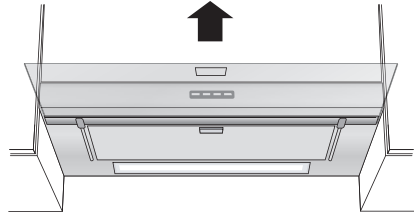
Depending on the model and features, the specification of your appliance may differ from the standard specification described.

4 Operating the appliance

4.1 Switching the appliance on

- ▶ Pull out the glass deflector plate.

The extractor fans can only be switched on if the glass deflector plate is slightly pulled out.



The appliance operates most effectively when the glass deflector plate is completely pulled out.

4.2 Switching the extractor fan on/off

- ▶ Power level 1 ON: Press the  button 1x.

- ▶ Power level 2 ON: Press the  button 1x.

- ▶ Power level 3 ON: Press the  button 1x.

Switching from power level 3 to power level 2:

- ▶ Press the  button 1x.

Switching from power level 2 to power level 1:

- ▶ Press the  button 1x.



Switching all power levels off:

- ▶ Press the  button 1x.



We recommend switching the appliance on at power level 1 some 5 minutes before starting to cook. After finishing cooking, allow the appliance to run for around another 15 minutes so that the cooking fumes and smells can be extracted.

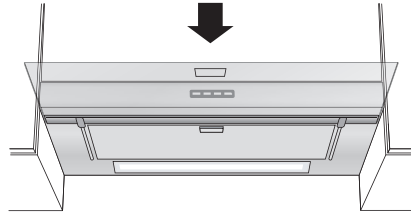
4.3 Switching the illumination on/off

- ▶ To switch on: press the  button 1x.
- ▶ To switch on: press the  button again.

4.4 Switching the appliance off

- ▶ Push the glass deflection plate completely in.
 - This switches off the extractor fan and the illumination even if both are still switched on.

If the glass deflection plate is pulled out slightly out again, the extractor fan comes on at the level set and the illumination comes on, provided these were switched on when the glass deflector plate was pushed in.



5 Care and maintenance

5.1 Cleaning the housing



Take care that no water gets into the housing of the appliance! If water gets into the housing, it can cause damage.

Do not use abrasive cleaners, scouring pads, steel wool, etc. for cleaning, as they can damage the surface.

Remove the screw fuse or switch off the circuit breaker.

Cleaning the outside/inside

- ▶ Clean the outside using a slightly damp cloth – and detergent if necessary – and wipe dry.

Grease and condensate water can build up on the inside next to the metal grease filters.

- ▶ Clean using a slightly damp cloth – and detergent if necessary – and wipe dry.

5.2 Metal grease filter with integrated long-life activated charcoal filter

The filters can be cleaned and reactivated (activated charcoal filter). The filters should be cleaned monthly with normal use.



After about three years the activated charcoal filter must be replaced because its ability to absorb odours will be reduced. The spent activated charcoal filter can be disposed of in the household waste.

Cleaning the grease filter and activated charcoal filter

In the dishwasher:

- ▶ Select an «intensive» or «heavy» wash programme with a hot pre-wash. Wash separately so that no food debris can become stuck to the filter.

If no dishwasher is available:

- ▶ Clean the filter in the sink with hot water and standard washing-up liquid.
- ▶ Soak the filter in hot water and washing-up liquid for one hour. Afterwards, rinse well.



Cleaning may cause the grease filter to become discoloured. However, this will not affect the functioning of the filters in any way.

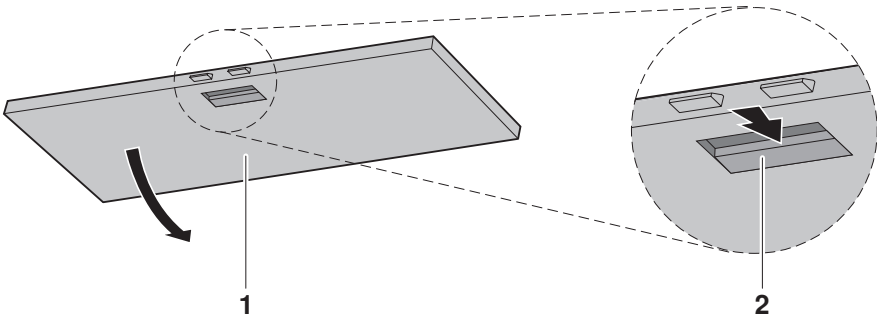
Drying/reactivating the activated charcoal filter

- ▶ To reactivate the activated charcoal, the activated charcoal filter must be dried in the oven.
- ▶ Select top/bottom heat or hot air and set the temperature to 100 °C. Place the activated charcoal filter on the wire shelf and allow to dry for one hour.

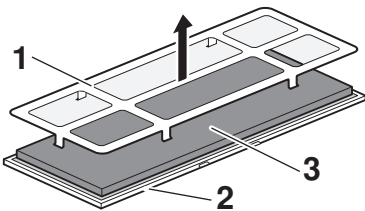
Removing and installing the grease filter

Removing the grease filter

- ▶ Pull the glass deflector plate completely out.
- ▶ Press back the grip flap **2** in the centre recess on the grease filter.
 - The grease filter **1** is unlocked and can be removed from below.
- ▶ Clean the grease filter.

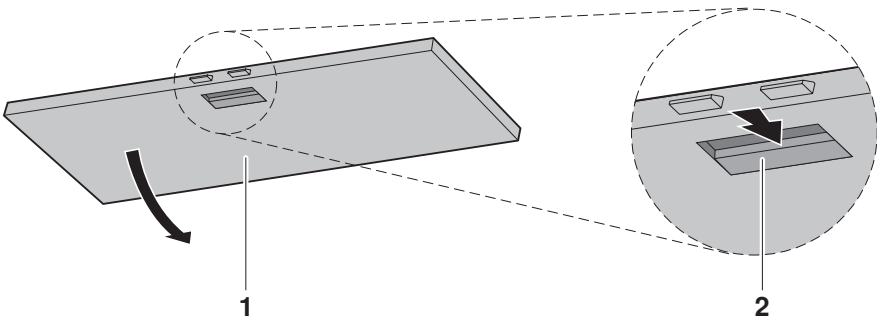


Long-life activated charcoal filter



- ▶ Remove the long-life activated charcoal filter **3** from the metal grease filter **2** and reactivate it or replace it with a new long-life activated charcoal filter.
- ▶ Attach the long-life activated charcoal filter **3** to the metal grease filter **2** and install in the appliance.

Installing the grease filter



- ▶ Pull the glass deflector plate completely out.
- ▶ Holding the grease filter **1**, ensure that the grip flap **2** is facing downwards. Insert fixed centring pins at the back in the retaining slots in the housing.

- ▶ Ensure that all centring pins are sitting properly in the retaining slots. Only then will the grip flap **2** latch completely in place.
 - The grease filter is correctly inserted if it lies flush with the housing.

5.3 Replacing the light bulb



Remove the screw fuse for the appliance or switch off the circuit breaker.

Halogen and LED light bulbs get hot during operation! Allow them to cool down first.

- ▶ Pull the glass deflector plate completely out.
- ▶ Remove the grease filter.
- ▶ Unscrew the defective light bulb from its fixture and replace it with a new one of the same type. See designation on the light bulb housing or on the identification plate: either a halogen light bulb (230 V / 28 W) or a LED light bulb (230 V / 3 W) may be used as desired.
- ▶ Put back the grease filter.
- ▶ Push in the glass deflector plate and put back the screw fuse or switch on the circuit breaker again.

6 Troubleshooting

6.1 What to do if ...

... the appliance is not extracting enough air

Possible cause	Solution
<ul style="list-style-type: none">▪ The metal grease filter is dirty.	<ul style="list-style-type: none">▶ Clean the metal grease filter.
<ul style="list-style-type: none">▪ The activated charcoal filter (for recirculation models) is spent.	<ul style="list-style-type: none">▶ Clean the long-life activated charcoal filter or replace it.

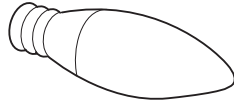
7 Accessories and spare parts

Please give model number of the appliance and exact designation of the accessory or spare part when ordering parts.

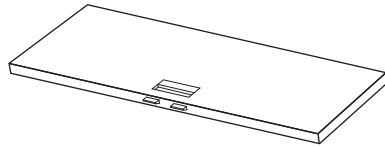
Halogen light bulb 230 V / 28 W



LED light bulb 230 V / 3 W



Metal grease filter



The halogen light bulb is also available from specialist retailers.

8 Technical data

Electrical connection

- ▶ See identification plate.
 - ▶ Remove the metal grease filters.
 - The identification plate is located on the inside of the appliance.

9 Index

A		
Accessories	20	
Activated charcoal filter	10	
Air recycling cartridge.....	10	
C		
Care.....	15	
Children in the home.....	6	
Cleaning		
Grease filter	16	
Housing	15	
Long-life activated charcoal filter	16	
Construction.....	11	
D		
Disconnection.....	9	
Disposal.....	9	
E		
Electrical connection.....	21	
Extraction model	10	
Extractor fan.....	13	
G		
Glass deflector plate	11	
Grip flap.....	11	
I		
Identification plate.....	21	
Illumination	11, 14	
L		
Light bulb		
Halogen light bulb.....	18	
LED light bulb	18	
Locking bar	11	
Long-life activated charcoal filter	16	
M		
Maintenance	15	
Metal grease filter	11	
Metal grease filter with integrated long-life activated charcoal filter.....	16	
Model number	2	
N		
Notes.....	24	
O		
Operating elements.....	11, 12	
P		
Packaging	9	
Power level		
Selecting	13	
Product family.....	2	
Q		
Queries	27	
Quick instructions	28	
R		
Recirculation mode	10	
S		
Safety	9	
Safety precautions		
Before using for the first time	6	
Children in the home	6	
Correct use.....	6	
General.....	5	
Note on use.....	7	
Service & Support.....	27	
Service agreement.....	27	
Spare parts	20	
Switching off	14	
Switching on	13	
Symbols.....	4	
T		
Technical data	21	
Trouble-shooting	19	
Type.....	2	

V

Validity..... 2

10 Notes

11 Service & Support



The «Troubleshooting» section provides valuable tips for dealing with minor operating faults. This saves you the time, effort and potential cost of having to call out a service technician.

Information on the V-ZUG warranty can be found at www.vzug.com →Service →Warranty information. Please read this information carefully.

Please register your V-ZUG appliance immediately:

- online via www.vzug.com→Service→Warranty registration, or
- using the enclosed registration card.

This will allow you to take advantage of the best possible support in the event of a fault in the appliance during the guarantee period. You will require the serial number (FN) and appliance designation to complete the registration process. This information can be found on the identification plate for your appliance.

My appliance information:

FN: _____ **Appliance:** _____

Always have this appliance information to hand when you contact V-ZUG. Thank you.

- ▶ Remove the metal grease filter.
 - The identification plate is located on the inside of the appliance.

Your repair order

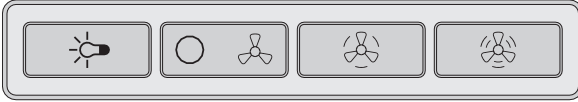
Call the free service number 0800 850 850 to contact your nearest V-ZUG service centre. You can arrange an onsite visit by us by phone if you wish.

General queries, accessories and service agreement

V-ZUG will be happy to help you with any general administrative or technical queries, to accept your orders for accessories and spare parts and to inform you about our progressive service agreements. You can contact us by calling Tel. + 41 58 767 67 67 or by going to our website at www.vzug.com.

Quick instructions

Please first read the safety precautions in the operating instructions!



To switch on

- ▶ Pull out the glass deflector plate.

Illumination

- ▶ Press the  button 1x.

Extractor fan

- ▶ Press the  button 1x (power level 1).
- ▶ Press the  button 1x (power level 2).
- ▶ Press the  button 1x (power level 3).

To switch off

- ▶ Press the  button again.
- ▶ Press the  button again or
- ▶ push in the glass deflector plate.



J61017013-R02

V-ZUG Ltd

Industriestrasse 66, P.O. Box 59, CH-6301 Zug
info@vzug.com, www.vzug.com

