



Induction glass ceramic hob
Frameless, with facets

01.05.14



The appliance should be installed by qualified personnel only. Each step must be carried out and checked in full in the order specified.

Validity

These installation instructions apply to the following models: 008 (GK36TIS), 027 (GK46TIS), 028 (GK46TIABS), 969 (GK36TI), 971 (GK46TI), 972 (GK46TIV), 974 (GK46TIAS), 95A, (GK46ID), 96A (GK46IABD), 88A (GK46TIMS), 90A (GK46TIAKS), 31030 (GK46TIMAS)

General notes

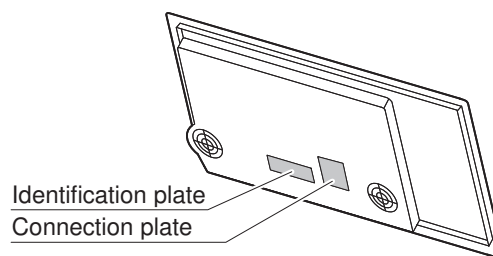


If installing into a combustible material, the guidelines and standards for low voltage installations and fire protection must be strictly observed.

Identification plate

The identification plate is located next to the connection plate.

- Affix the second identification plate (supplied) in an accessible position behind the front of the fitted cabinet beneath the appliance.



Accessories

Designation	Article no.
Ventilation protective plate set for niche width 550 mm	H6.1082
Ventilation protective plate set for niche width 600 mm	H6.1083
Ventilation protective plate set for niche width 825 mm	H6.1084
Ventilation protective plate set for niche width 900 mm	H6.1085



Electrical connection



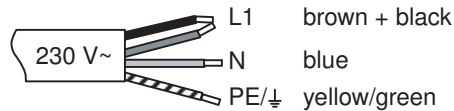
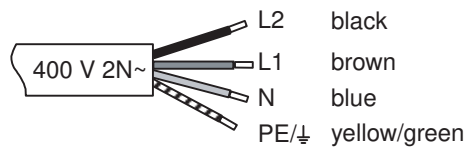
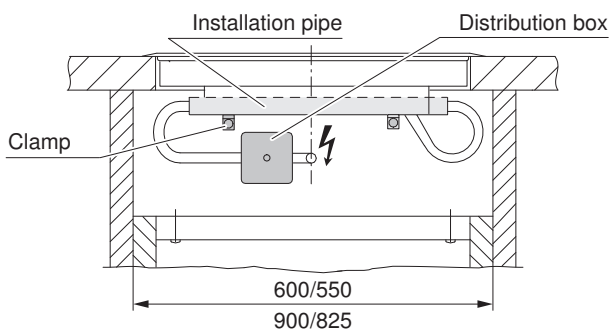
Electrical connections must be carried out by trained electricians in accordance with the guidelines and standards for low-voltage installations and the specifications of the local electricity supply companies.

A plug-in appliance may only be connected to a socket outlet with earthing contact, installed according to specifications. An all-pole mains isolating device with 3 mm contact opening should be provided in the house wiring system. Switches, plug and socket devices, circuit breakers and fusible cut-outs which are accessible after installation and which have all-poles switching are permissible as isolating devices. Effective earthing and separately installed neutral and earth conductors ensure safe and fault-free operation. After installation, live parts and cables with basic insulation must not be accessible. Check old installations.

The appliance is designed for use up to a max. altitude of 2000 m above sea level.

► See the identification plate for information on the necessary mains voltage, type of current and fuse protection.

The appliance is equipped with a mains cable that should be connected to a distribution box by the customer.



Error message U400



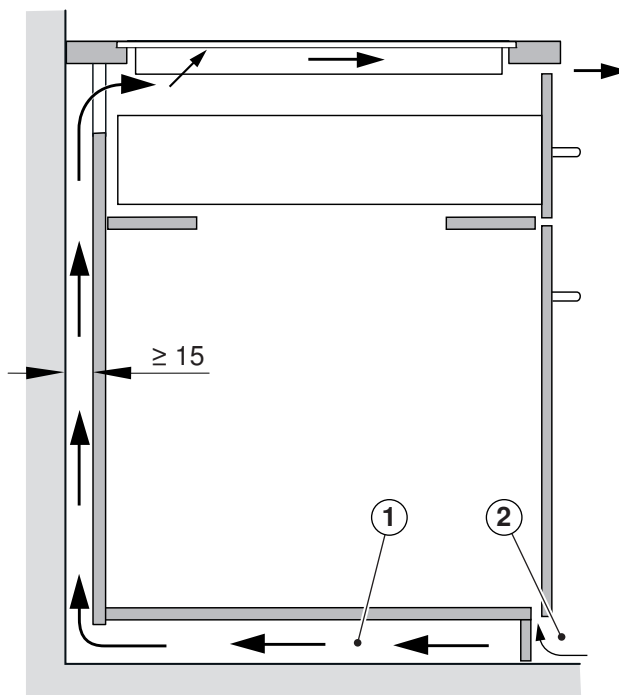
Incorrect connection:

Pole conductor connected to connection terminal for neutral conductor.
Quickly disconnect the appliance from the mains!

Ventilation

In order to guarantee good ventilation, a space of at least 17.5 mm in height is necessary beneath the appliance.

1. The back wall of the base unit in the area of the worktop cut-out must be open to guarantee continuous air circulation over the ventilation slits.
2. Alternatively, air circulation inside the cabinet can be provided for by a concealed fresh air intake.
In order that enough cold air can be drawn in, there must be a continuous circulation of fresh air that extends outside the cabinet.





Installation

Indications

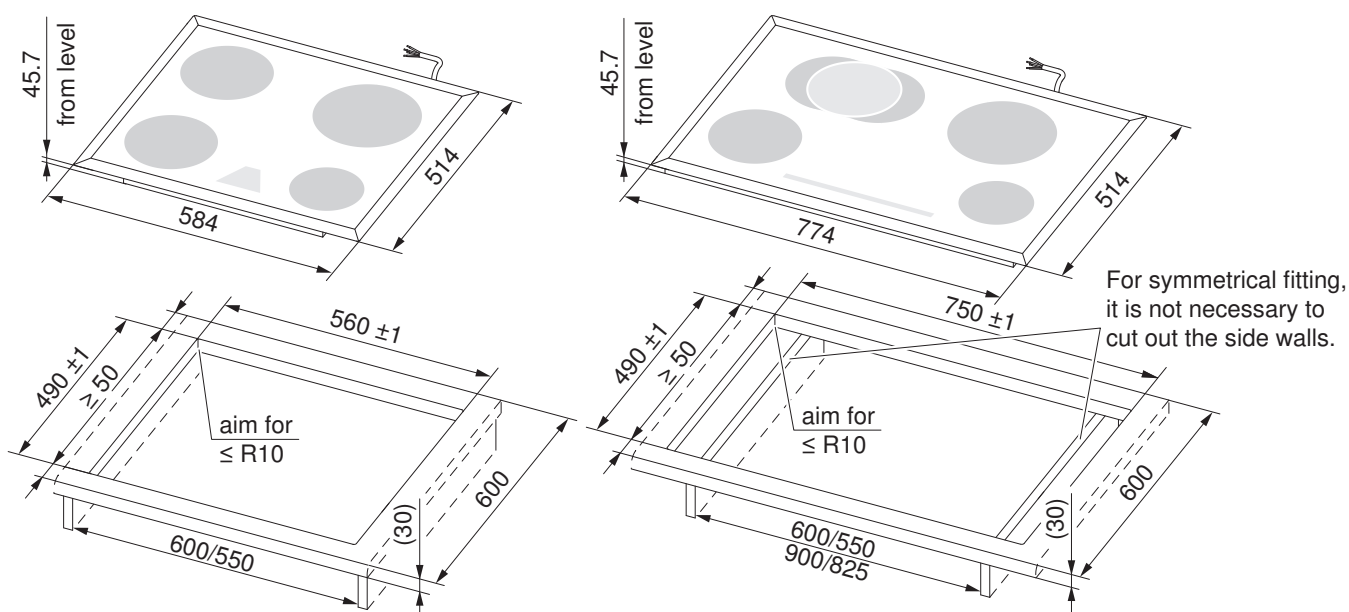
- The worktop must be flat. To ensure required seals provide protection against ingress of liquids.
- In order to guarantee good ventilation, a space of at least 17.5 mm in height is necessary beneath the appliance.

Fitting

The layout of the cooking zones on the hob to be built in may differ from the illustrated hob!

**GK36TI, GK46TI, GK36TIS,
GK46TIS, GK46ID, GK46TIMS**

**GK46TIV, GK46TIAS, GK46TIABS,
GK46IABD, GK46TIAKS, GK46TIMAS**



1. Create an accurate cut-out.
2. Carefully put the appliance in the installation cut-out and press against the worktop with sufficient overlap.

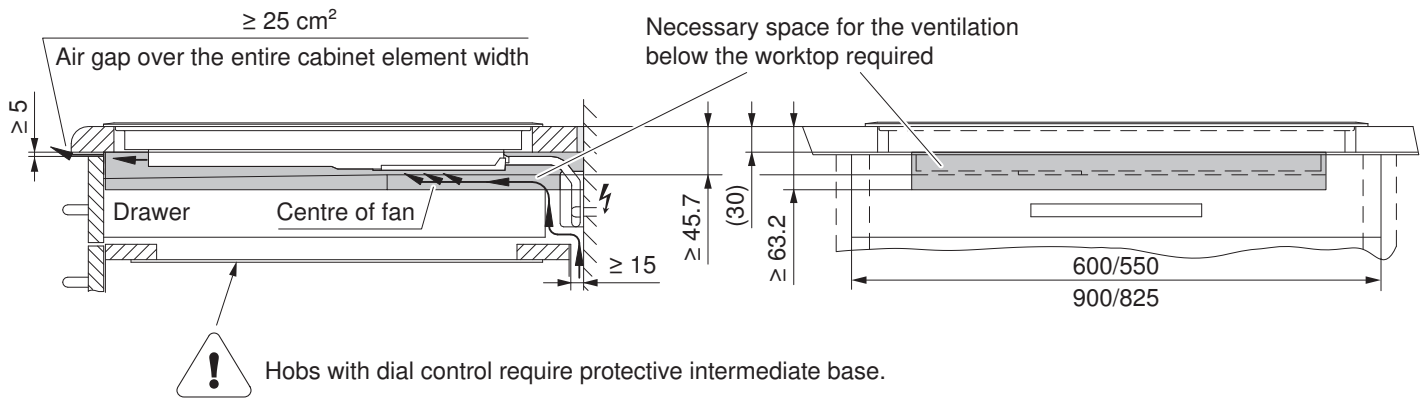


Induction glass ceramic hob
 Frameless, with facets

01.05.14

Cool air intake if installed over a drawer or cabinet

In order to guarantee good ventilation, a space of at least 17.5 mm in height is necessary beneath the appliance.



Installing the protective plate with a 3 mm ventilation gap at the front (see 'Accessories')



A protective plate is necessary for the adequate ventilation of the hob.
 The distance between the underside of the appliance and the protective plate must be at least 17.5 mm.
 A protective plate cannot be installed with induction hobs that have dial controls.

