

Installation instructions

Range hood DI-SE10 / DI-SE12

Island hood

Operating modes: extracted air / recirculation air



J393.113-0

11.2.09 ITH



The appliance should be installed by qualified personnel only. Each step must be carried out and checked in full in the order specified.

Validity

These installation instructions apply to the models:

393 (DI-SE10, construction width 100 cm)

394 (DI-SE12, construction width 120 cm)

General notes



With the simultaneous operation of firing (e.g. wood, gas, oil or coal-fired heating systems), safe operation is only possible providing a room negative pressure of 4 Pa (0.04 mbar) is not exceeded at the location of the appliance. Risk of toxic fumes! An adequate flow of fresh air must be guaranteed, e.g. via non-closable openings in doors and windows and combined with ventilation wall bricks for incoming and exhaust air or by other technical means.



If the appliance is installed over hobs, each cooking zone must be fitted with an ignition fuse and the minimum distances (see section «Dimensions») must be adhered to.



Efficient repairs can only be guaranteed if it is possible to disconnect the appliance at any time without causing any damage.

Identification plate

► Remove grease filters. The identification plate is on the inside of the appliance.

Supplied installation accessories

All fixing elements are contained in the scope of delivery.

Extraction mode



The extracted air must not be fed into a chimney which is used for exhausting fumes from appliances burning gas or other fuels.

Always observe the fire regulations.

Electrical connections



Electrical connections must be carried out by trained electricians in accordance with the guidelines and standards for low voltage installations and the specifications of the local electricity supply companies.

A plug-in appliance may only be connected to a socket outlet with earthing contact, installed according to specifications. A mains isolating device with 3 mm contact opening should be provided in the house wiring system. Switches, plug and socket devices, circuit breakers and fusible cut-outs which are accessible after installation and which have all-poles switching are permissible as isolating devices. Effective earthing and separately installed neutral and earth conductors ensure safe and fault-free operation. After installation, live parts and cables with basic insulation must not be accessible. Old installations should always be checked.

► Information on the necessary mains voltage, type of current and fuse protection is to be obtained from the identification plate.

Installation instructions

Range hood DI-SE10 / DI-SE12

Island hood

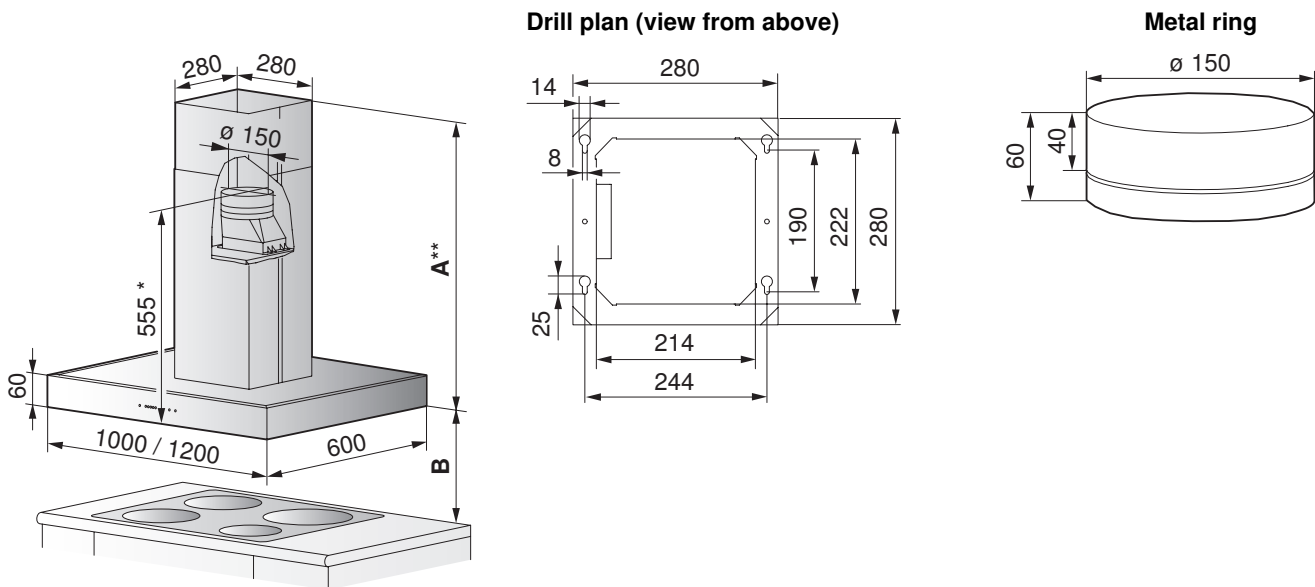
Operating modes: extracted air / recirculation air



J393.113-0

11.2.09 ITH

Dimensions



* With metal ring: 595 mm

** Grid interval: 10 mm

Telescopic casing

(available in various heights)

Height **A**: ► see planning documents for kitchen appliances

Distance above hob

Minimum height **B**:

For electric hob: min. 600 mm

For gas hob: min. 750 mm

Installation

Indications

- Avoid routing the exhaust air pipeline to the side through the flue casing.
- Planning features for non-destructive de-installation and maintenance of the appliance:
 - Do not route telescopic casing in suspended ceilings.
 - Avoid silicon joints between the telescopic casing and the appliance.
 - All plastering, plasterboarding, wall papering or painting work is to be carried out prior to the appliance installation.

Installation instructions

Range hood DI-SE10 / DI-SE12

Island hood

Operating modes: extracted air / recirculation air



J393.113-0

11.2.09 ITH

Installation

1. Affix drilling template **C** to the ceiling. Drill 6 holes (\varnothing 10 mm) and insert plugs.
2. **Extraction mode:**
Fix the exhaust air hose **D** to the exhaust air pipe (min. \varnothing 150 mm) in the ceiling.
Recirculation mode:
Bolt the diverter piece **E** to the carrier support **T1**. Fix the extensions **G** to the flue width with screws. Fasten the exhaust air hose **D** to the diverter piece.
3. Set the carrier supports **T1**, **T2** to the appropriate length (grid distance: 10 mm) and fasten securely with 8 screws **S1** (\varnothing 4 x 8 mm).
4. Fix carrier supports to the ceiling with 6 screws **S2** (\varnothing 6 x 70 mm).
5. Equip upper lagging sheets **V1**, **V2** with castellated nuts **M**. Screw both halves together with the spring **F** and screw **S3** (M4 x 7 mm). Slide from bottom onto carrier supports.
6. Screw in 4 screws **S4** (\varnothing 4 x 8 mm) at the bottom to carrier support **T2**. Hang the hood **H** in the key holes.
7. Remove grease filters.
8. Tighten screws **S4** and additionally secure hood with 2 screws **S5** (\varnothing 4 x 8 mm) from below.
9. Connect ribbon cable connector plug **J** and 2-pole connector plug **K**. Ensure correct positioning of plug connector **J**!
10. Establish electrical connection (see section «Electrical connections»).
11. Fix metal ring **R** to the exhaust air connector and mount the exhaust air hose **D**. Ensure hose is free from kinks and is stretched.
12. Attach upper lagging sheets **V1**, **V2** with 2 screws **S6** (\varnothing 3 x 9 mm).
13. Equip lower lagging sheet **V4** with castellated nuts **M** and push from rear onto carrier support **T2**. Attach the lower lagging sheet **V3** from the front and screw both halves together with the spring **F** and screw **S3** (M4 x 7 mm).
14. Install lower cover strips **U2**. Cut upper cover strips **U1** to adequate length and install them.
15. Replace grease filters.

