



The appliance should be installed by qualified personnel only. Each step must be carried out and checked in full in the order specified.

## Validity

These installation instructions apply to the model: **58A**

## General notes



If fitting in flammable material, the guidelines and standards for low voltage installations and for the fire protection must be strictly observed.



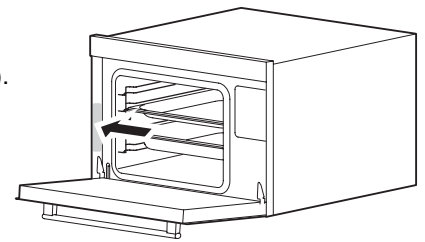
To ensure good ventilation, the niche in which the appliance stands must have a supply air opening of at least 25 cm<sup>2</sup>. This appliance is considered to be suitable for use in countries having a warm damp equable climate (WDaE). It may also be used in other countries. If used in warm damp equable climated countries, the appliance is to be supplied through a residual current device (RCD) having a rated residual operating current not exceeding 30 mA.

## Identification plate

► Open appliance door. The identification plate is located on the left trim panel (see illustration).

## Connection plate

► The connection plate is located at the connection cable.



## Electrical connections

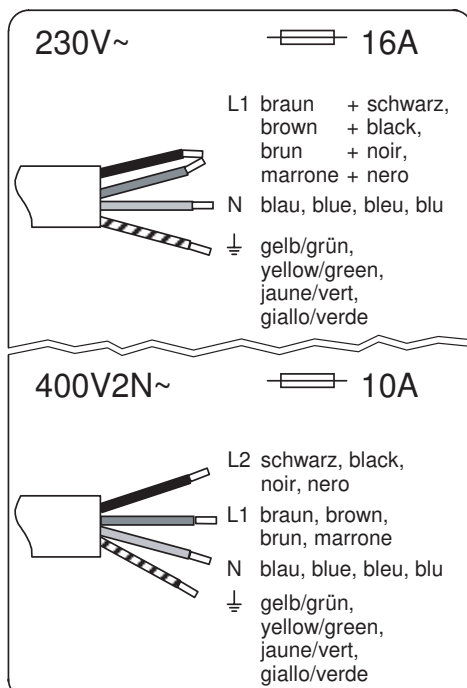


Electrical connections must be made by trained electricians in accordance with the guidelines and standards for low voltage installations and the specifications of the local electricity supply companies.

A plug-in appliance may only be connected to a socket outlet with earthing contact, installed according to specifications. An all-pole mains isolating device with 3 mm contact opening should be provided in the house wiring system. Switches, plug and socket devices, circuit breakers and fusible cut-outs which are accessible after installation and which have all-poles switching are permissible as isolating devices. Effective earthing and separately installed neutral and earth conductors ensure safe and fault-free operation. After installation, live parts and cables with basic insulation must not be accessible. Old installations should always be checked.

- Refer to the identification plate for specifications for the required mains voltage, current type and fuses.
- Application height of the appliance: up to max. 2000 m above sea level

## Connection cable

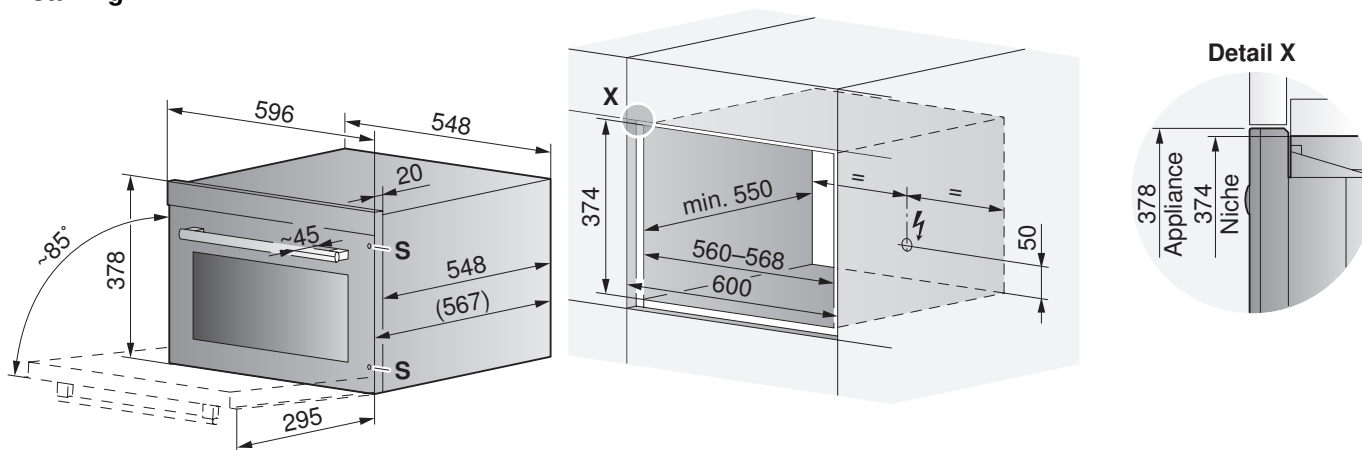


**Installation**



It is not possible to install the appliance above an extractor oven because of the extraction pipes that lead upwards.

**Installing**



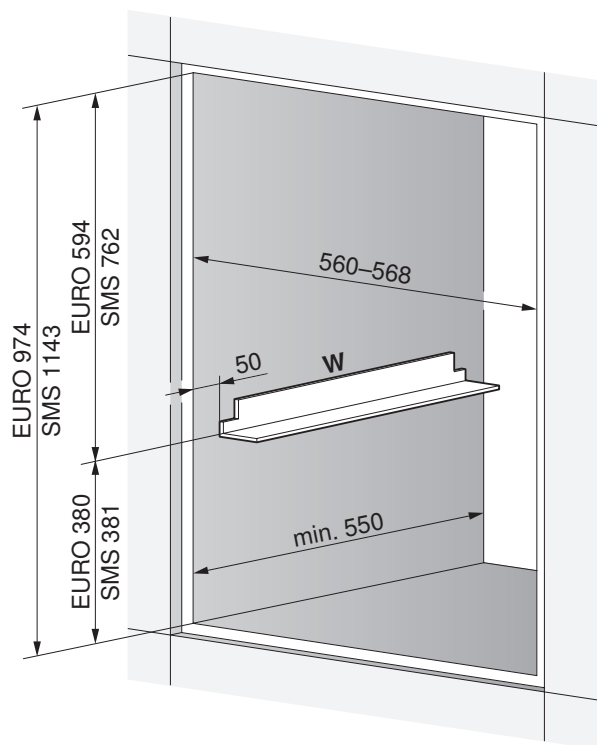
1. Place appliance in front of the niche and connect connection cable in accordance with connection plate.
2. Carefully slide appliance into the niche until it is flush with the front of the cabinets, ensuring that the mains cable is not pinched.
3. Open appliance door and fasten the sides from the front with the 4 enclosed screws **S**.

**Installing with a second oven in the same niche**



If a second oven is installed in the same niche (above or below the appliance), you should use bracket set 60 **W** to support the upper appliance.

**Below the second oven**



**Above the second oven**

