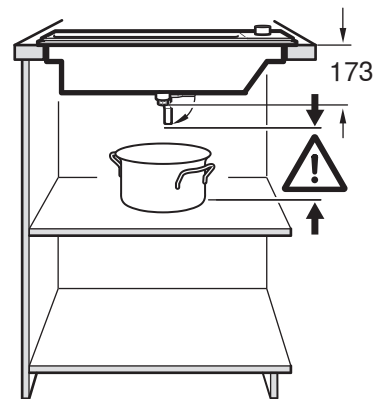
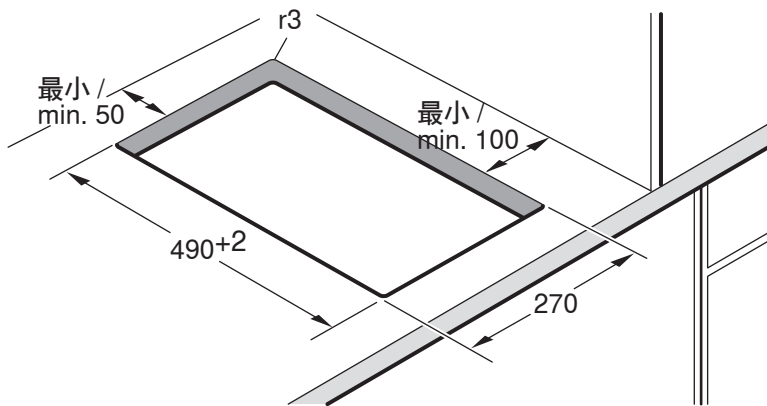
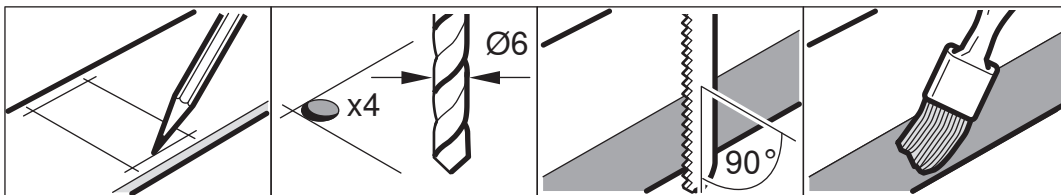
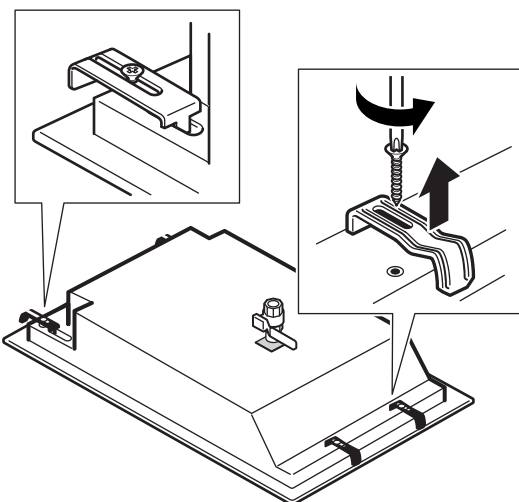


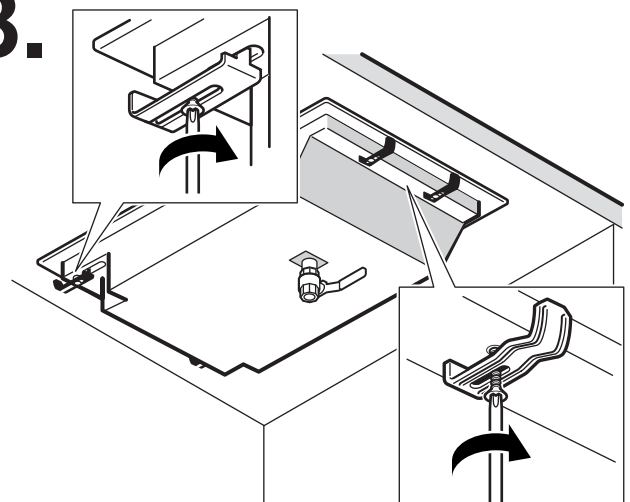
1.



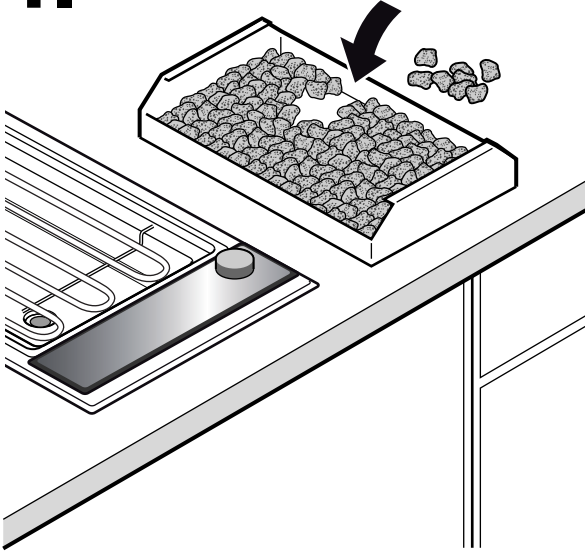
2.



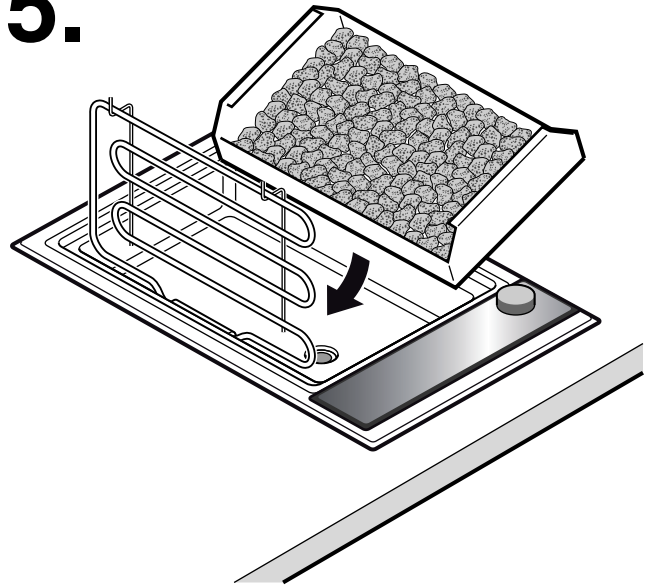
3.



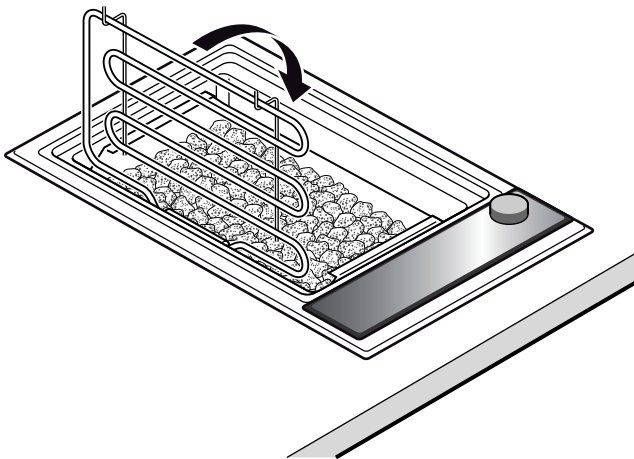
4.



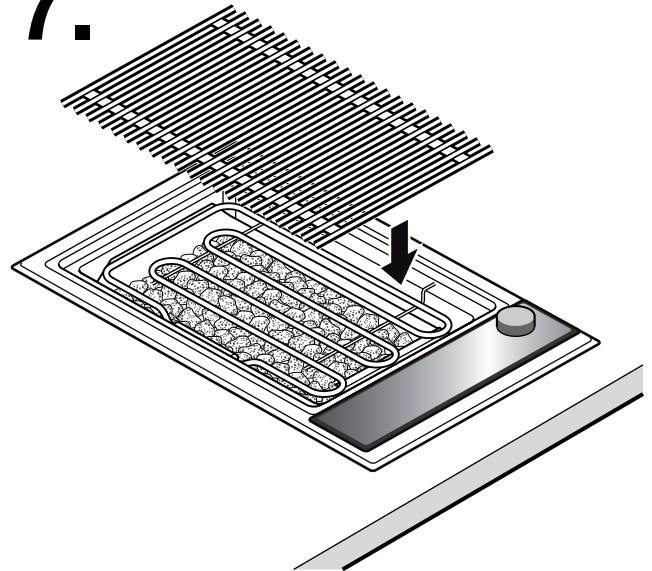
5.



6.



7.



## 重要说明

这款嵌入式电烤灶台用于嵌入橱柜操作面上的切口。仅当按照所提供的安装说明使用时才能保证电器安全。

由于安装不当导致的损坏，应由安装人员承担责任。

只能由持有证书的专业人员连接本电器。请遵守当地供电商规范及建筑规范。

检查电器是否有任何运输损坏。

安装时断开电器电源。

## 准备橱柜

在要安装电器的橱柜上，必须使用耐热粘合剂处理塑料涂层和 / 或面板。切口处的粗糙边缘必须使用硅树脂等防水材料进行密封。在嵌入式电磁灶后面的橱柜操作面表面上不得使用塑料填充胶条。

## 安装

将电烤灶台插入切口，使控件朝前，然后使用夹紧元件将其安装到位。

说明：请确保电烤灶台下方有充足的空间，用于放置收集水滴的容器。

## 电气连接

本电器连接不带插头的电源线。遵守安装地国家有关电器连接规定。

检查铭牌上的电压和总输出。本电器必须接地。

安装后，如果插头无法触及，则必须在安装侧安装一个全电极隔离开关，触点间隙至少为 3 mm。

电源线必须为 H05VV-F 或 H05VVH2-F 型或更高型号。横截面：3G1.5 mm<sup>2</sup>

连接导线若有损坏则必须更换。只能由我公司派出的售后服务技术人员进行更换。

进行修理之前必须断开电器的电源。如果需要修理，切勿自行打开电器，请联系我们的售后服务人员。

## 成套安装组件

如果要两个或更多单元相邻安装，需要一个或更多安装套件。

## Important notes

This built-in grill is intended for insertion into a cutout in the worktop. The appliance is only guaranteed safe to use if installed in accordance with these installation instructions.

The installer is liable for any damage resulting from incorrect installation.

The appliance may only be connected by a licensed specialist. The local electricity supplier's regulations and construction regulations apply.

Check the appliance for any transport damage.

Disconnect the appliance during installation.

## Preparing the cabinet

On the furniture into which the appliance is to be installed, the plastic coating and/or veneer must have been treated with a heat-resistant adhesive. The rough edges of the cutout must be sealed using a watertight material, e.g. silicone. The use of plastic filler strips on the worktop surface behind the built-in hob is not permitted.

## Installation

Insert the grill into the cutout with the controls facing the front and attach it using the clamping elements.

Note: Please ensure that there is sufficient room underneath the grill for a container to collect the water.

## Electrical connection

The appliance is fitted with a mains connecting cable without plug. Observe the current national regulations when connecting the appliance.

Check the voltage and total output on the rating plate. It is obligatory that this appliance be earthed.

If the plug is no longer accessible after installation, an all pin isolating switch with a contact gap of at least 3 mm must be installed.

The mains connecting cable must be of the H05VV-F or H05VVH2-F type or higher. Cross-section: 3G1,5 mm<sup>2</sup>

The connecting lead must be replaced if it has been damaged. This can only be carried out by one of our after-sales service technicians.

The appliance must always be disconnected from the mains before repairs are carried out. If repairs are needed, never open the appliance yourself, but call our after-sales service.

## Installation set

When installing two or more units next to each other, one or more installation kits will be required.

