

Installation instructions

Range hood DFPQ5/DFPQ6/DFPQ9/DFPQ12

Built-in hood

Operating modes: extracted air/recirculation air



J61001.113-1

09.10.13



The appliance should be installed by qualified personnel only.
Each step must be carried out and checked in full in the order specified.

Validity

These installation instructions apply to:

61001 (DFPQ12, construction width 120 cm)

61002 (DFPQ9, construction width 90 cm)

61003 (DFPQ6, construction width 60 cm)

61004 (DFPQ5, construction width 55 cm)

H4.2608 (motor housing, extraction, standard)

H4.2609 (motor housing, extraction, short)

H4.2606 (motor housing, recirculation, standard, built-in hood)

H4.2607 (motor housing, recirculation, short, built-in hood)

General notes



If other firing systems are being used at the same time (e.g. wood, gas, oil or coal-fired heating appliances), safe operation is only possible providing a room negative pressure of 4 Pa (0.04 mbar) is not exceeded at the location of the appliance. Risk of toxic fumes! An adequate flow of fresh air must be guaranteed e.g. via non-closable openings in doors or windows and in combination with an air-intake/exhaust-air wall box or by other technical means.



If the appliance is installed over hobs, each cooking zone must be fitted with an ignition fuse and the minimum distances (see 'Dimensions') must be adhered to.



Efficient repairs can only be guaranteed if it is possible to uninstall the complete appliance at any time without causing any damage.

Identification plate

► Remove the grease filters. The identification plate is located on the inside of the appliance.

Supplied installation accessories

All fixing elements are contained in the scope of delivery.

Extraction mode



The extracted air must not be fed into a chimney which is used for exhausting fumes from appliances burning gas or other fuels.

Observe the local fire regulations.

Installation instructions

Range hood DFPQ5/DFPQ6/DFPQ9/DFPQ12

Built-in hood

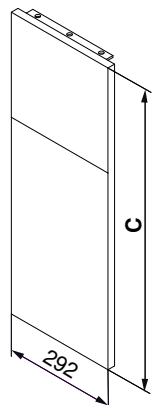
Operating modes: extracted air/recirculation air



J61001.113-1

09.10.13

Accessory parts

Type	Height C	Article no.	
DFPQ5, DFPQ6, DFPQ9, DFPQ12	410-790 mm	H4.2614	
DFPQ5, DFPQ6, DFPQ9, DFPQ12	791-1150 mm	H4.2615	

Electrical connections



Electrical connections must be carried out by trained electricians in accordance with the guidelines and standards for low-voltage installations and the specifications of the local electricity supply companies.

A plug-in appliance may only be connected to a socket outlet with earthing contact, installed according to specifications. An all-pole mains isolating device with 3 mm contact opening should be provided in the house wiring system. Switches, plug and socket devices, circuit breakers and fusible cut-outs which are accessible after installation and which have all-poles switching are permissible as isolating devices. Effective earthing and separately installed neutral and earth conductors ensure safe and fault-free operation. After installation, live parts and cables with basic insulation must not be accessible. Check old installations.

The appliance is designed for use up to a max. altitude of 2000 m above sea level.

► See the identification plate for information on the necessary mains voltage, type of current and fuse protection.



Warning: Failure to install the screws or fixing device in accordance with these instructions may result in electrical hazards.



Do not cut off the plug.

Installation instructions

Range hood DFPQ5/DFPQ6/DFPQ9/DFPQ12

Built-in hood

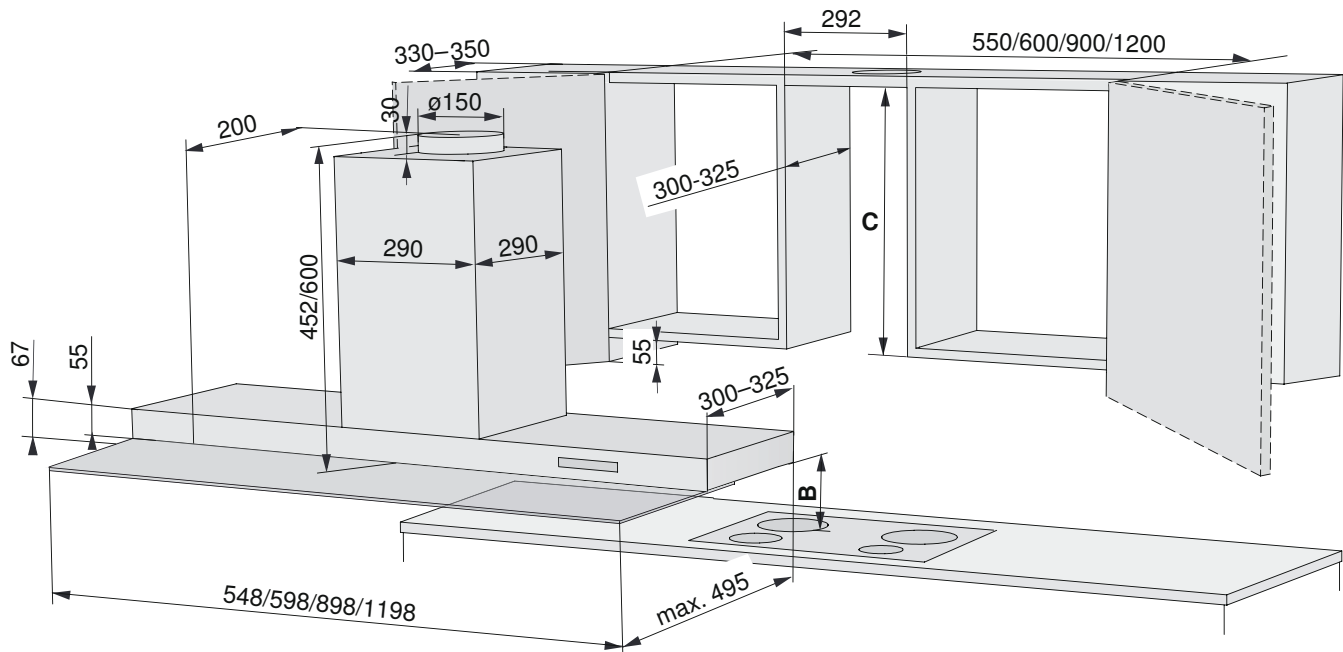
Operating modes: extracted air/recirculation air



J61001.113-1

09.10.13

Dimensions



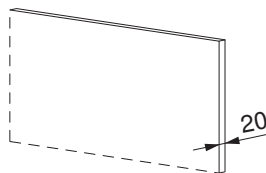
Distance above hob

Minimum distance **B**:

For electric hob: min. 500 mm

For gas hob: min. 750 mm

Use of stone cladding



20 mm thick wall panels (granite, marble) are possible.

Installation

Note

- Avoid routing the exhaust air pipeline to the side through the flue casing.
- Planning features for non-destructive de-installation and maintenance of the appliance.
 - Do not route telescopic casing in suspended ceilings.
 - Avoid silicon joints between the telescopic casing and the appliance.
 - All plastering, plasterboarding, wall papering or painting work is to be carried out prior to installing the appliance.

Installation instructions

Range hood DFPQ5/DFPQ6/DFPQ9/DFPQ12

Built-in hood

Operating modes: extracted air/recirculation air

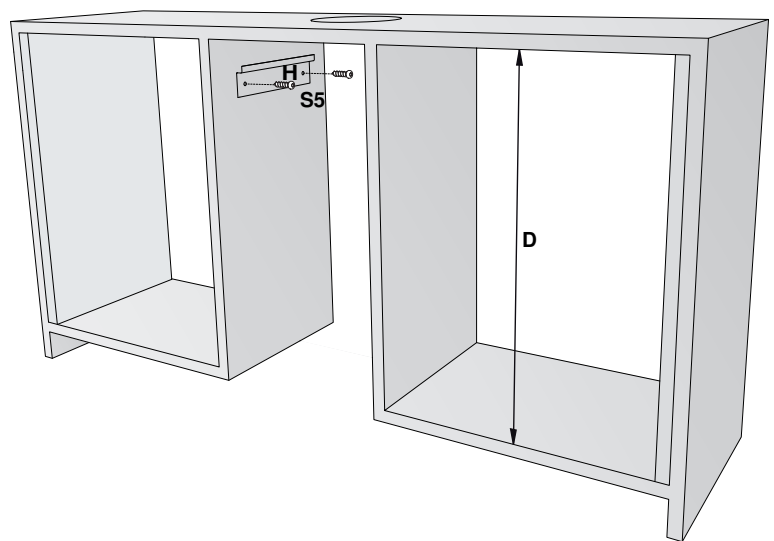
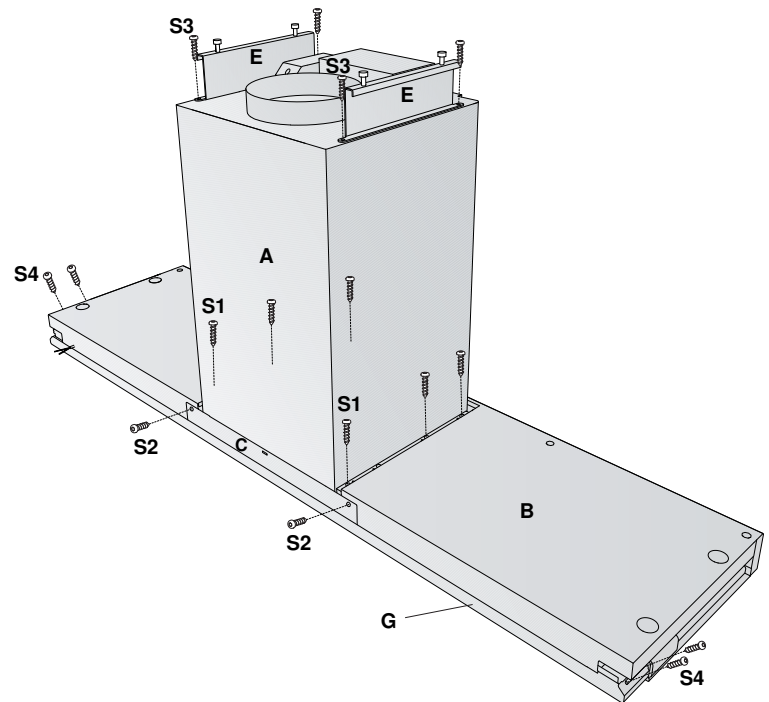


J61001.113-1

09.10.13

Installing

1. Unscrew cover **C**.
2. Put motor housing **A** on hood body **B**. Ensure that no cables are trapped.
Caution: Protect glass.
3. Screw 6 screws **S1** ($\varnothing 3.5 \times 6$ mm) in motor housing **A**.
4. Remove short-circuit plug of motor housing **A** and connect to plug of hood body **B**. Connect the other 2 motor housing plugs to the plugs of the hood body. 3 plug connector pairs must be connected in total.
WARNING: Failure to install the screws or fixing device in accordance with these instructions may result in electrical hazards.
5. Stow cable and plugs in hood body **B** and mount cover **C** using screws **S2** ($\varnothing 3.5 \times 6$ mm).
6. Fix each of the 2 angle brackets **E** with 2 screws **S3** (M4 \times 15 mm).
7. If necessary: Set compensator **G** using 4 screws **S4** ($\varnothing 3.5 \times 6$ mm) to correct wall unit depth.
8. Attach paper template to wall unit and prick and bore 4 holes for screws **S5**.
9. Fix each of the 2 angle brackets **H** with 2 screws **S5** ($\varnothing 4.3 \times 12.5$ mm) to wall unit.
10. Only for 'Front cover' accessory (H4.2614/H4.2615):
Mount angle for front cover (see section on 'Front cover' in Installation instructions).



Installation instructions

Range hood DFPQ5/DFPQ6/DFPQ9/DFPQ12

Built-in hood

Operating modes: extracted air/recirculation air



J61001.113-1

09.10.13

11. Loosen 4 adjusting screws **S6**.
12. Mount exhaust air hose to exhaust air connector.
13. Push hood from the front straight into wall unit until front of hood body is flush with wall unit.
14. Raise hood using 4 adjusting screws **S6** and secure with nuts.
15. Only for extraction mode:
Connect exhaust air hose to exhaust air pipe wall-side.
16. Pull the glass deflector plate completely out and remove grease filter.
17. Screw 4-8 screws **S7** ($\varnothing 4.3 \times 12.5$ mm) in hood body **B** and fit dummy covers **D**.
18. Insert grease filter.
19. Make electrical connection (see section on 'Electrical connections').
20. Carry out function test.
21. Only for 'Front cover' accessory (H4.2614/H4.2615):
Mount cover.

