

**INDUCTION/
TOPTRONIC**



**Flush, new cut-out
dimensions as of
april 2013**

International market



Contents

| | | |
|----------|---------------------------------|----------|
| 1 | Worktop cut-outs | 4 |
| 1.1 | Installation dimension 30 | 4 |
| 1.2 | Installation dimension 40 | 4 |
| 1.3 | Installation dimension 60 | 5 |
| 1.4 | Installation dimension 80 | 6 |
| 1.5 | Installation dimension 90 | 7 |



Dear Customer

From 2013, the cut-out dimensions will be increased for most flush induction/toptronic hobs. In the planning aid, you will find the dimensions of our existing hobs in the left-hand side column and the new dimensions of hobs that will be delivered as of april 2013 in the right-hand side column.

Of course we will continue to stock hobs with the existing dimensions for replacements.

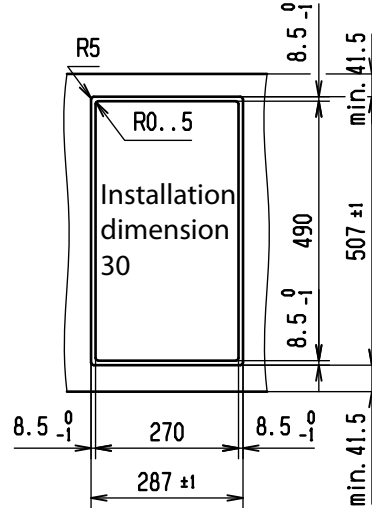
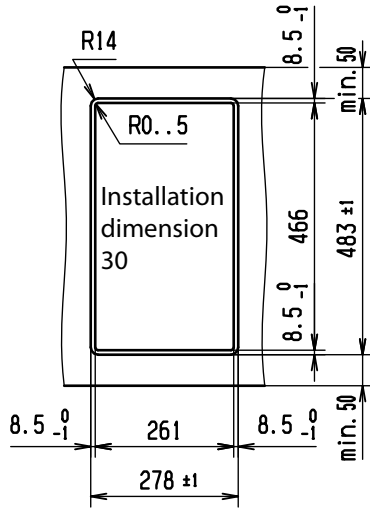
Thank you for reading this information.

Your V-ZUG Ltd



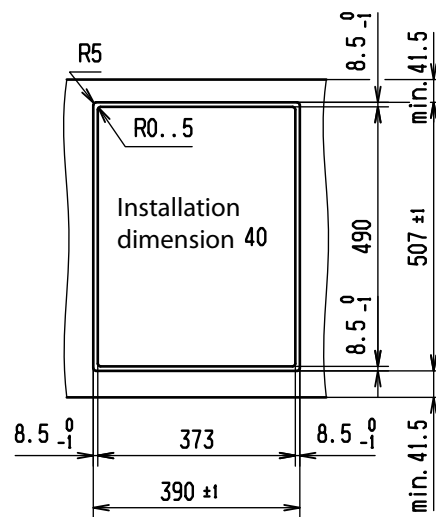
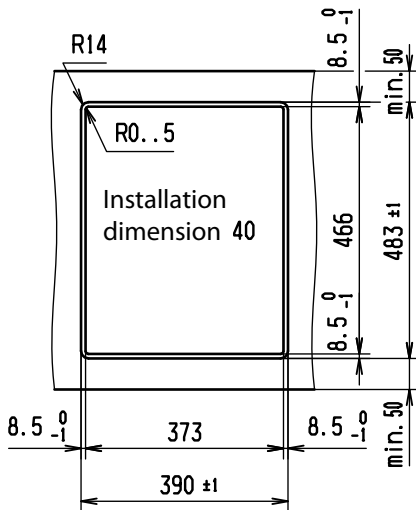
1 Worktop cut-outs

1.1 Installation dimension 30



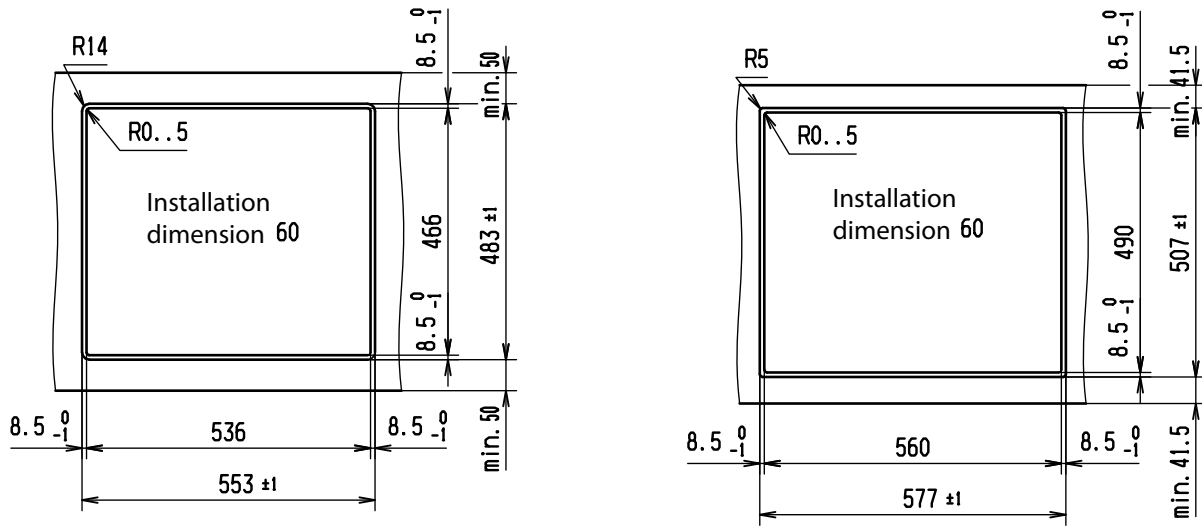
| *** Up to march 2013 *** | | *** From april 2013 *** | | |
|--------------------------|-----------|-------------------------|-------|-------------|
| Model | Type | | Model | Type |
| 84A | GK26TIMSF | Induction | 31011 | GK26TIMS.1F |

1.2 Installation dimension 40



| *** Up to march 2013 *** | | *** From april 2013 *** | | |
|--------------------------|-----------|-------------------------|-------|-------------|
| Model | Type | | Model | Type |
| 87A | GK16TIWSF | Induction | 31010 | GK16TIWS.1F |
| 85A | GK16TIYSF | " | 31008 | GK16TIYS.1F |

1.3 Installation dimension 60



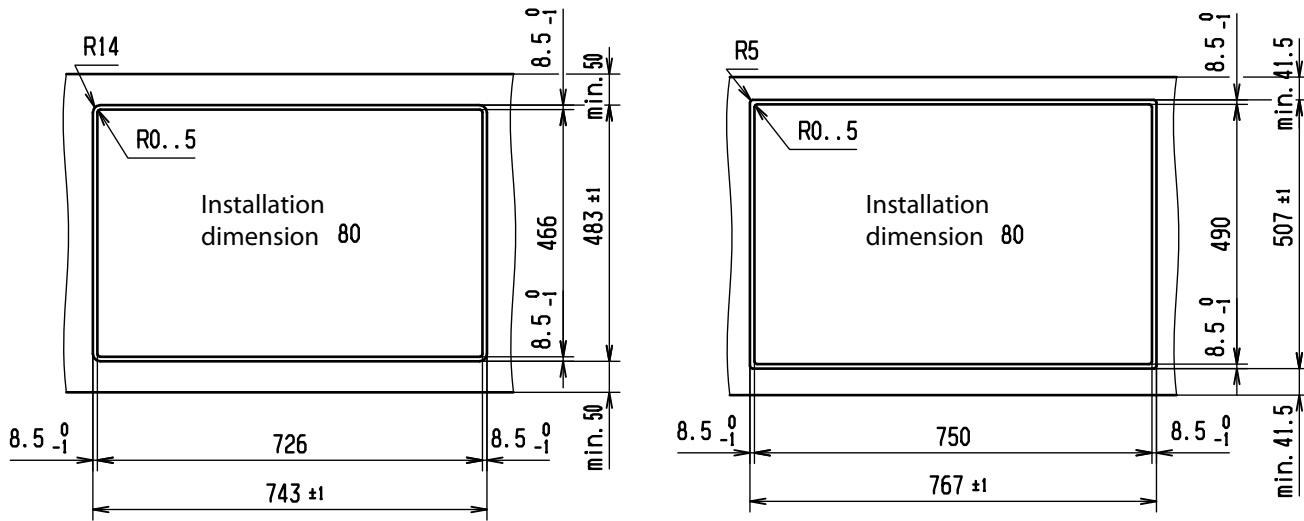
| *** Up to march 2013 *** | | | *** From april 2013 *** | |
|--------------------------|--------------|------------------|-------------------------|---------------------------|
| Model | Type | | Model | Type |
| 032 | GK46TEBSF.1F | Toptronic | 31028 | GK45TEBS.2F ¹⁾ |
| 86A | GK26TIYSF | Induction | 31009 | GK26TIYS.1F |
| 008 | GK36TIF | " | 31013 | GK36TIS.1F ²⁾ |
| 95A | GK46IDF | " | 31021 | GK46ID.1F ³⁾ |
| 88A | GK46TIF | " | 31014 | GK46TIMS.1F |

¹⁾ not for China

²⁾ not for Israel

³⁾ not for China, Israel, Australia

1.4 Installation dimension 80



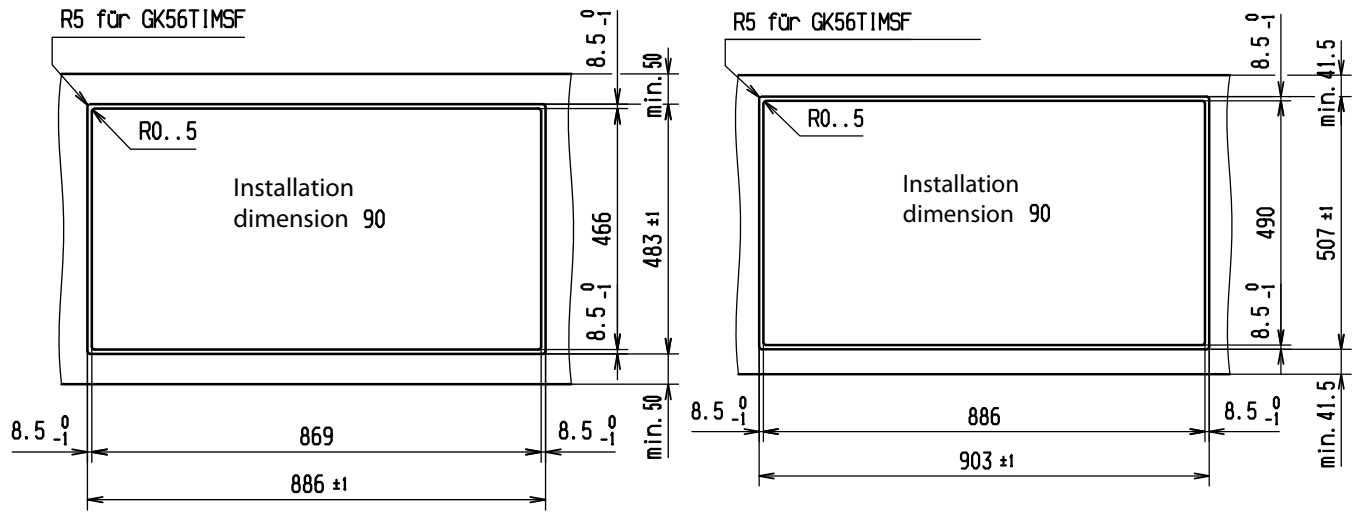
| *** Up to march 2013 *** | | | *** From april 2013 *** | |
|--------------------------|------------|------------------|-------------------------|----------------------------|
| Model | Type | | Model | Type |
| 977 | GK45TEASF | Toptronic | 31026 | GK45TEAS.1F ¹⁾ |
| 96A | GK46IABDF | Induction | 31022 | GK46IABD.1F ²⁾ |
| 028 | GK46TIABSF | " | 31017 | GK46TIABS.1F ³⁾ |

¹⁾ not for Singapore, China

²⁾ not for Australia

³⁾ not for Singapore

1.5 Installation dimension 90



| *** Up to march 2013 *** | | *** From april 2013 *** | |
|--------------------------|-----------|-------------------------|----------------------|
| Model | Type | Model | Type |
| 89A | GK56TIMSF | Induction | 31020 GK56TIMS.1F |

