

Operating instructions

Fully extending runner and Roller runner

Kitchen accessories

Thank you for choosing to buy one of our products. Your appliance is made to high standards and is easy to use. Nevertheless, please take the time to read these operating instructions in order to familiarize yourself with the appliance and get the best use out of it.

Please follow the safety precautions.

Modifications

Text, diagrams and data correspond to the technical standard of the appliance at the time these operating instructions went to press. The right to make technical modifications for the purpose of the further development of the appliances is reserved.

Validity

These operating instructions apply to:

Type	Product family
Fully extending runner	23A, 24A, 27A–30A, 37A, 38A, 41A–45A, 47A–51A, 55A–59A, 68A, 043, 044, 337, 340, 616, 648, 721, 726–729, 740, 747, 751, 759, 764, 766, 767, 769, 770, 864, 21099, 21003, 21004, 21015–21030, 21092–21101, 23001–23013, 23062–23071
Roller runner	13A–22A, 25A, 26A, 31A–36A, 39A, 40A, 60A–63A, 553, 569, 600, 609, 610, 615, 640–643, 647, 664, 706, 709, 715, 725, 731, 734, 739, 745, 768, 771, 795, 796, 21005–21010, 21013, 21014, 21031, 21032, 22001–22010, 22013, 22014, 23009–23013

Variations depending on the model are noted in the text.

Contents

1	Safety precautions	4
1.1	Symbols used.....	4
1.2	General safety precautions.....	4
2	Operating the appliance	5
2.1	Construction	5
2.2	Installation and removal	5
2.3	Align the runners	5
2.4	Use the tray or wire shelf with the runners.....	6
3	Care and maintenance	7
3.1	Cleaning the runner.....	7
4	Disposal	8
5	Notes	10
6	Service & Support	11

1 Safety precautions

1.1 Symbols used



Denotes important safety precautions.

Failure to observe said precautions can result in injury or in damage to the appliance or fittings!



Information and precautions that should be observed.



Information about the operating instructions

- ▶ Indicates step-by-step instructions.
 - Describes how the appliance reacts to the steps taken.
- Indicates a list.

1.2 General safety precautions



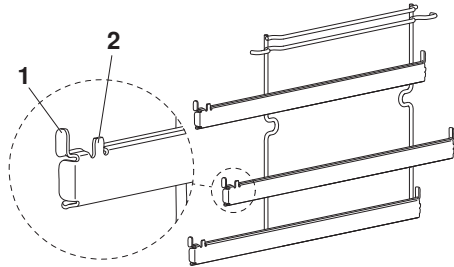
- Read the operating instructions before using the accessories for the first time!
- Only use the accessories in conjunction with the operating instructions for the appliance!



- Remove the blue protective film from the accessories before using for the first time.

2 Operating the appliance

2.1 Construction



1 Front backstop

2 Safety cams

2.2 Installation and removal



Remove the blue protective film from the inside of the runners before using for the first time!



Damage to accessories from pyrolytic self-cleaning!

- ▶ Remove accessories, shelf guides, roller runners, cookware and any other objects from out of the cooking space. Do not use any tools to remove the roller runners! Otherwise they can become discoloured and their surface rough.
 - The rolling properties of roller runners change over time.

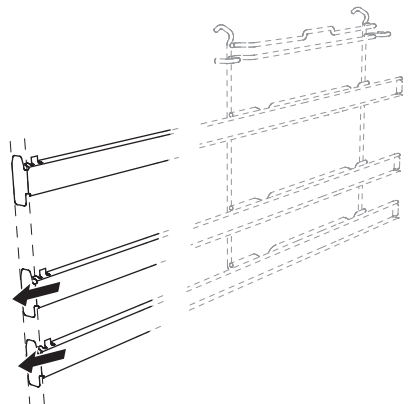
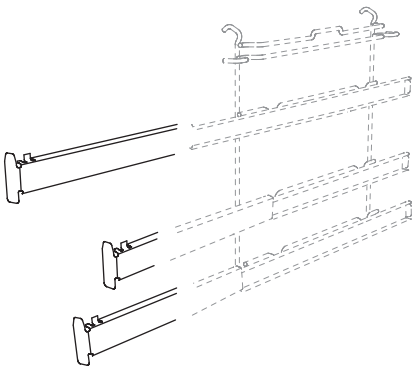


How to mount and remove the runners depends on the appliance. Detailed information on mounting and removing the runners for your appliance can be found in the Operating instructions under the «Cleaning the accessories and shelf guides» section.

2.3 Align the runners

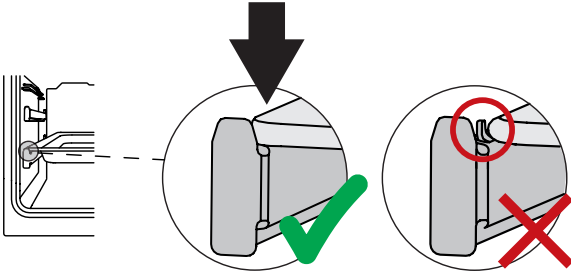


If not all runners are extended to the same length, pull the relevant runner out firmly as far as it will go.



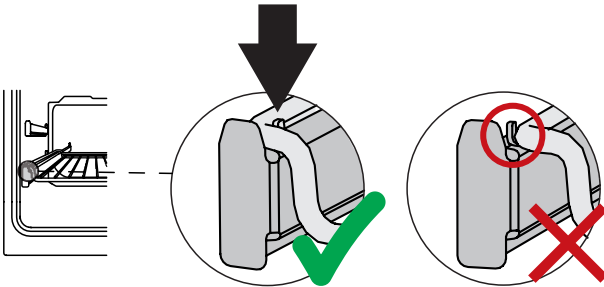
2.4 Use the tray or wire shelf with the runners

- ▶ Place the tray carefully on the retracted runner, ensuring it clicks into the safety cams (see image).



The suggested values for the levels are given in the separate «Tips on settings» for your appliance.

- ▶ Place the wire shelf carefully on the retracted runner. Note that the safety cams must be on the inside of the wire shelf frame (see image).



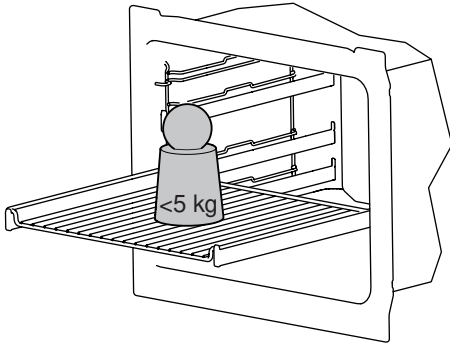
Incorrectly inserted trays or wire shelves may fall out of the runner!

- ▶ Put any accessories that are not included in the scope of delivery on the wire shelf.

Maximum load



Too much weight on the tray or wire shelf when extended may cause them to tip and the food to fall off. Risk of burns!



- Maximum weight per shelf: 5 kg
- Maximum weight for several shelves: 10 kg

Exception: Steam cookers



Do not use stainless steel trays in steam cookers when the temperature is set at over 160°C as the tray can warp and drop down.

Exception: Ovens



The frame for the rotisserie spit and roasting basket must not be used on the runners.

3 Care and maintenance



Risk of burns from hot surfaces!

- ▶ Allow the appliance and the accessories to cool down before cleaning.
- ▶ Do not use any abrasive or caustic cleaning agents, metal scrapers that are sharp or scratch, steel wool, abrasive scouring pads, etc. These products will damage the surfaces.
 - Incorrect handling can result in damage to the appliance!
- ▶ Never use a steam cleaner to clean the appliance or the accessories.

3.1 Cleaning the runner



Incorrect handling can cause damage!

- ▶ Do not clean the runner runner in the dishwasher!
- ▶ Do not wipe any lubricant off the ball-bearing or its tracks!
- ▶ Do not use abrasive cleaning agents!
- ▶ Do not grease the runner!
- ▶ Clear the exterior surface of the runner with a soft, damp cloth. Ensure that no liposoluble cleaning agent enters the roller bearings,
 - as this would affect their rolling properties.

4 Disposal


4.1 Packaging



Never allow children to play with packaging material due to the danger of injury or suffocation. Store the packaging material in a safe location or dispose of it in an environmentally-friendly way.

4.2 Disposal



-  The «crossed out wheeled bin» symbol requires the separate collection of waste electrical and electronic equipment (WEEE). Such equipment can contain hazardous, environmentally harmful materials.
- These appliances are to be handed over to a designated collection point for the recycling of electrical and electronic equipment and must not be disposed of with unsorted household waste. And in this way, you will be helping to protect resources and the environment.
- For more information, please contact the local authorities.

Index

A

Appliance	
Disposal.....	8

C

Care.....	7
Cleaning the runner.....	7

D

Disposal.....	8
---------------	---

M

Maintenance	7
Model designation	2

N

Notes.....	10
------------	----

O

Operation	
Aligning the runners.....	5
Tray on runner.....	6
Wire shelf on runner.....	6

S

Safety warnings	
General.....	4
Symbols.....	4

T

Technical questions.....	11
Type.....	2

V

Validity.....	2
---------------	---

W

Warranty extensions.....	11
--------------------------	----

5 Notes

6 Service & Support

Your repair order

At www.vzug.com →Service→Service number you will find the telephone number of your nearest V-ZUG service centre.

Technical questions, accessories, warranty extensions

V-ZUG is happy to help you with any general administrative or technical queries, to take your orders for accessories and spare parts and to inform you about our progressive service agreements.



J13A823-07

V-ZUG Ltd, Industriestrasse 66, CH-6302 Zug
info@vzug.com, www.vzug.com

